

Assembly Instructions

42971962 short open wardrobe

CARE INSTRUCTIONS:

Keep away from water and direct sunlight. For indoor and domestic use. Wipe clean with a soft dry cloth. Check and tighten all parts regularly.








WARNING:









Do not stand or sit on the unit. Do not lean on the product. Do not drag the product. Use only on a flat surface. Do not use until all screws, bolts and knobs are firmly secured. Load the drawer evenly to prevent it from tipping over.

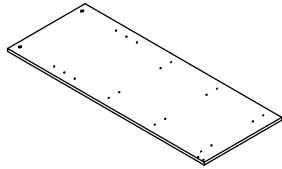
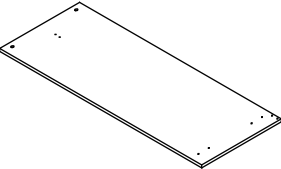
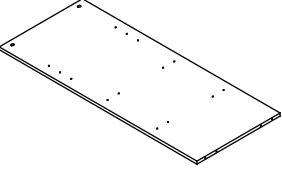
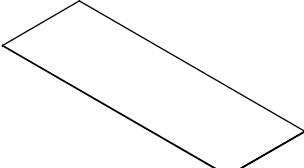
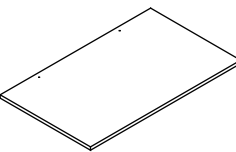
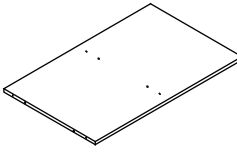
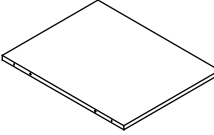
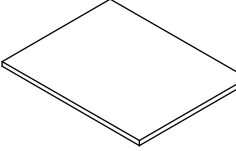
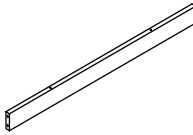
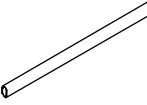
This product contains small parts and sharp points, keep away from children and babies. Adult assembly required. Failure to follow these warnings could result in serious injury.

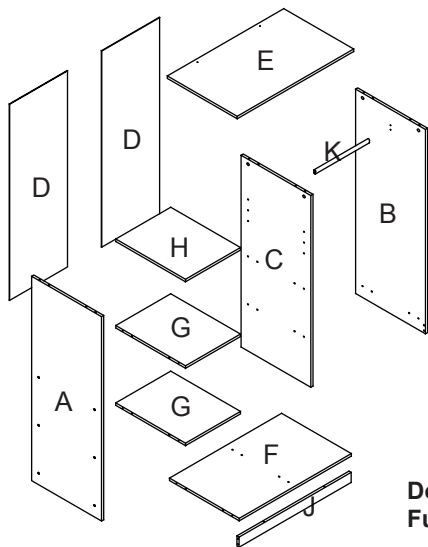
MAXIMUM SAFE LOAD: 20kgs for top panel, 10kgs for each shelf, 8kgs for hanging rail.

Hardware list

	a		6PCS
	b	15X10mm	6PCS
	c	6X30mm	26PCS
	d	5X50mm	14PCS
	e	4X12mm	4PCS
	f		2PCS
	g	5X25mm	4PCS

	h		28PCS
	i		6PCS
	j	4X35mm	2PCS
	k	4X12mm	2PCS
	l		2PCS
	m		2PCS
	n		1PC
	o		8PCS

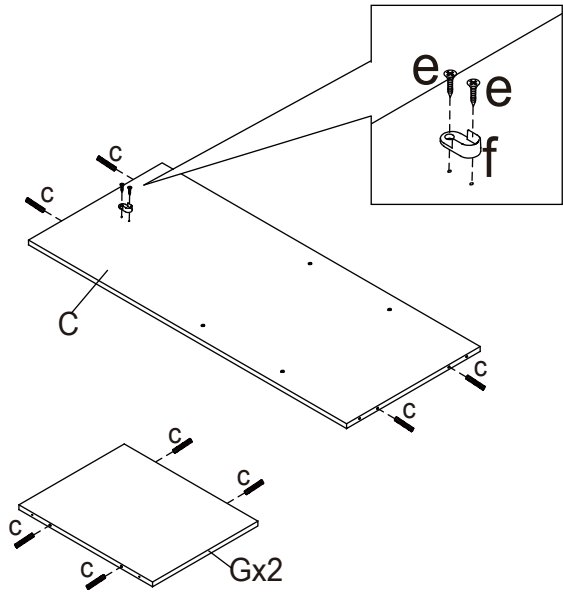
	A	1 PC		B	1 PC		C	1 PC
	D	2 PCS		E	1 PC		F	1 PC
	G	2 PCS		H	1 PC		J	1 PC
	K	1 PC						



Do not tighten the screws fully during assembly.
Fully tighten screws after the final assembly steps

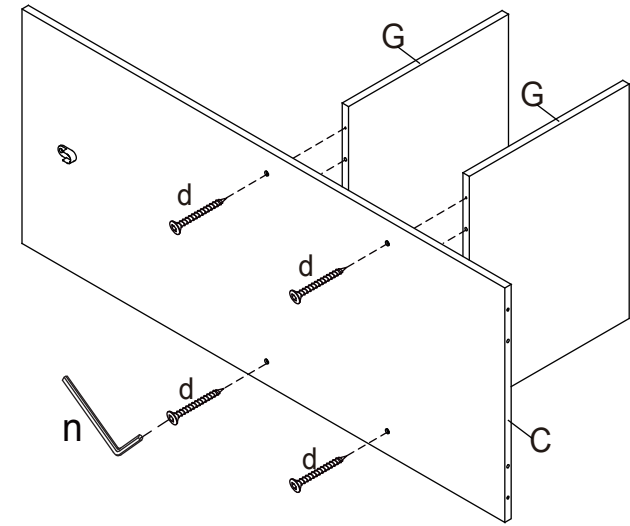
STEP 1

X12 X1 X2



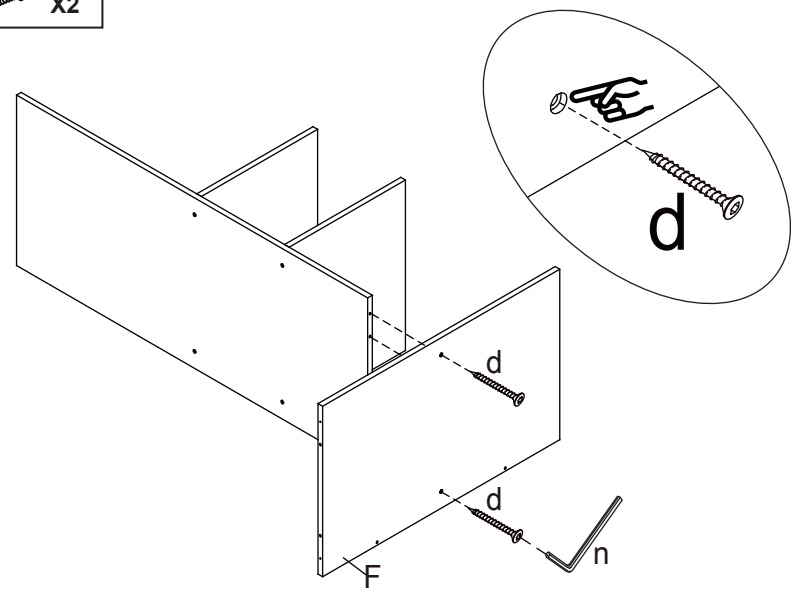
STEP 2

X4



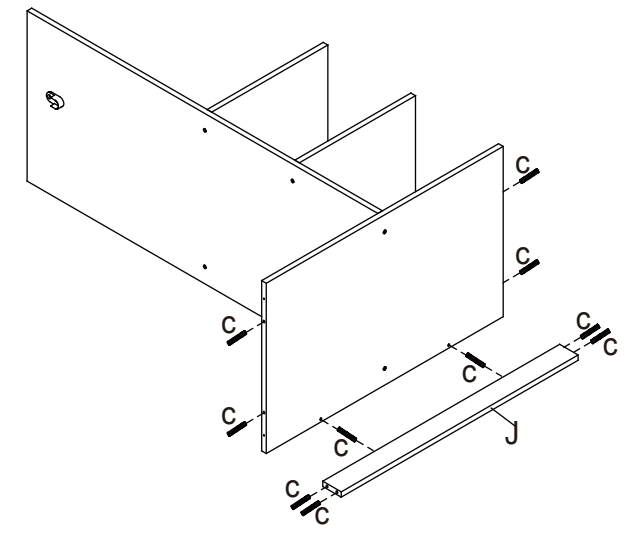
STEP 3

X2

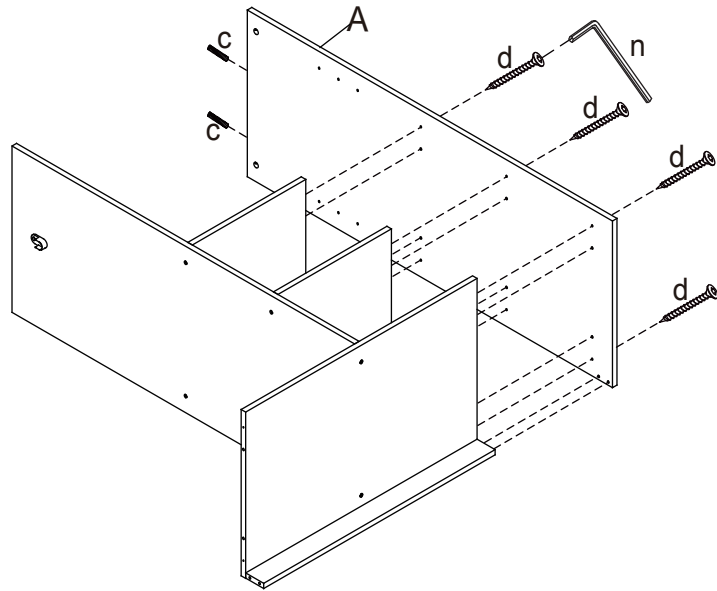
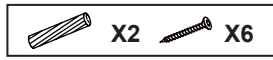


STEP 4

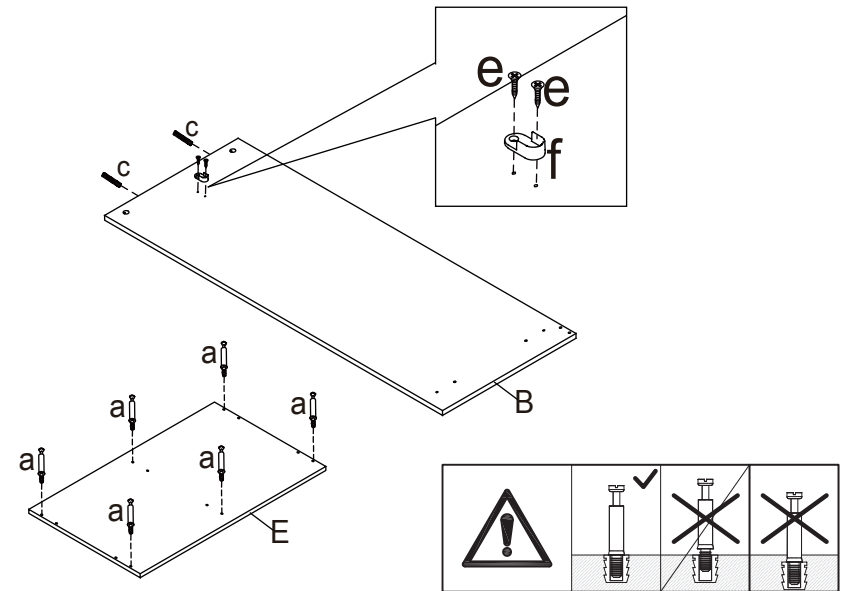
X10



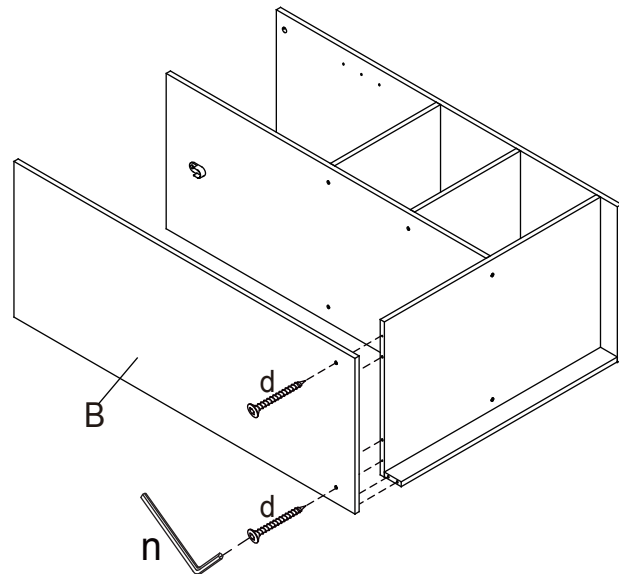
STEP 5



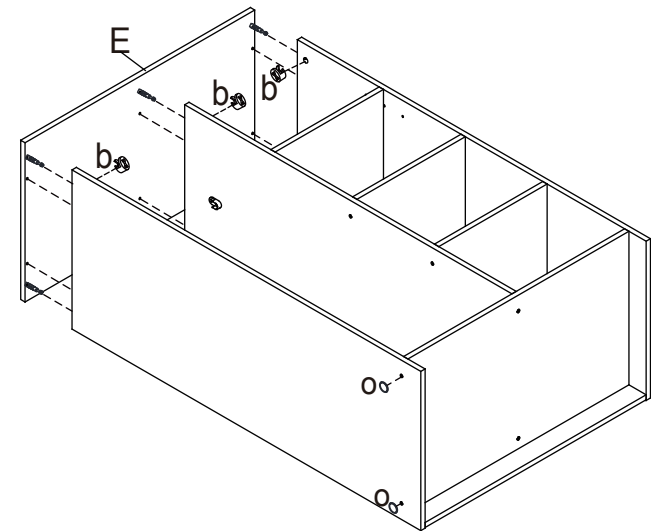
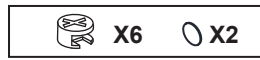
STEP 6

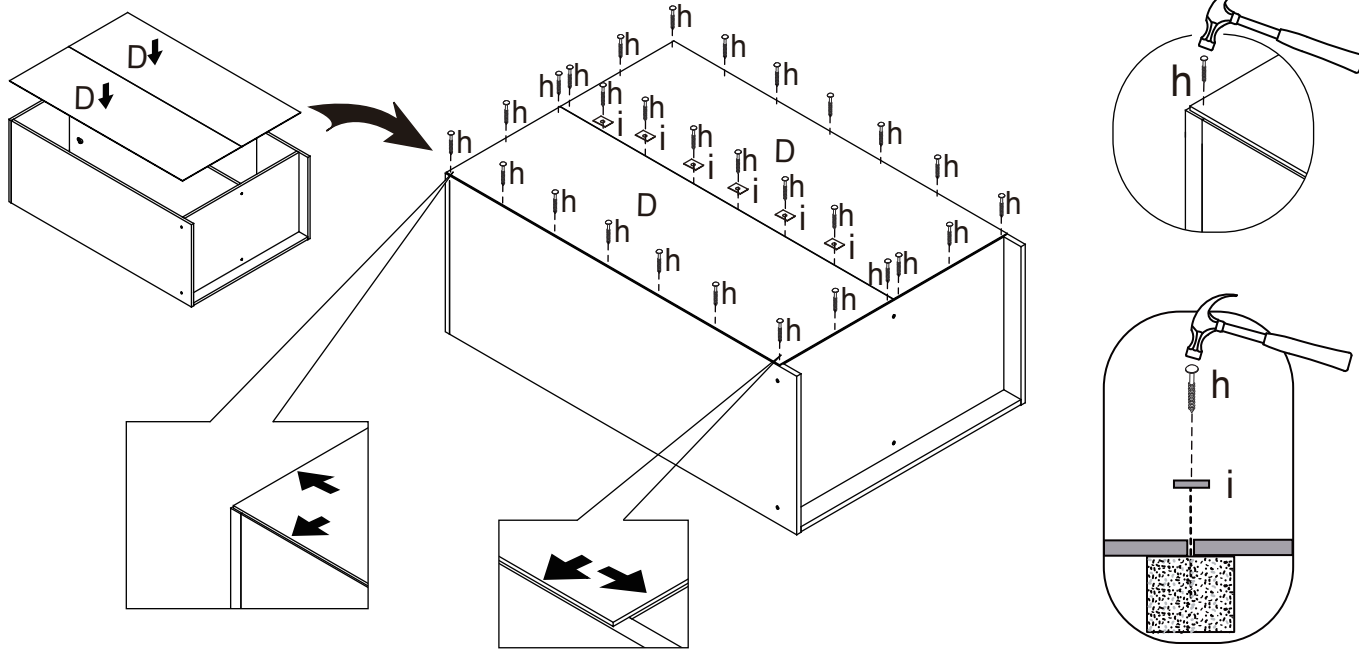
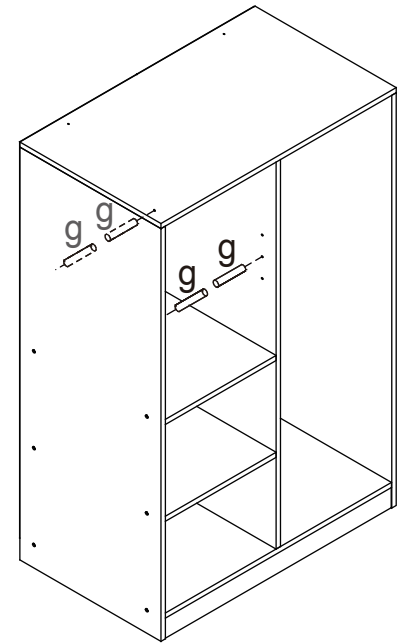
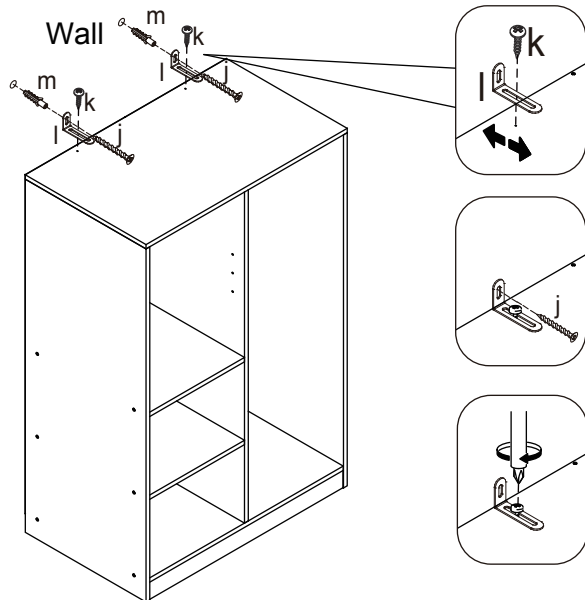


STEP 7



STEP 8



STEP 9
 X28
  X6
**STEP 10**
 X4
**STEP 11**
 X2
  X2
  X2
  X2


It is strongly recommended that this product is permanently fixed to the wall. Please seek professional advice if you are in doubt of what fixing device to use. Regularly check that anchors are securely maintained.

CAUTION: for your safety when attaching the anchor fixings, please note the following: Check any electrical wires or plumbing inside the wall before drilling any holes (if you are unsure please seek professional advice from a qualified tradesperson).

STEP 12
 X6
