






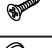



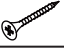








Assembly Instructions

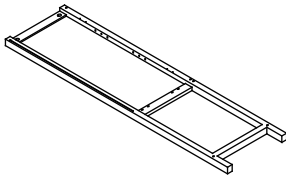
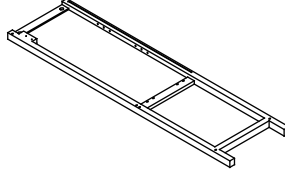
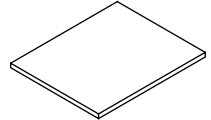
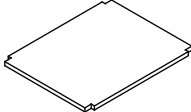
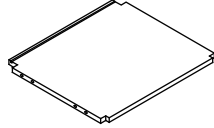
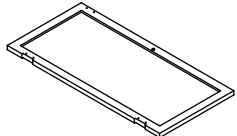
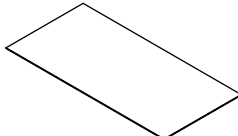
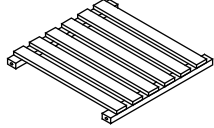
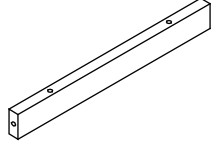
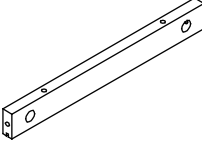
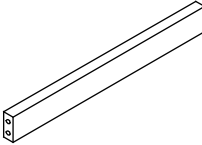
42972587 Tall Bathroom Cabinet with Shelves

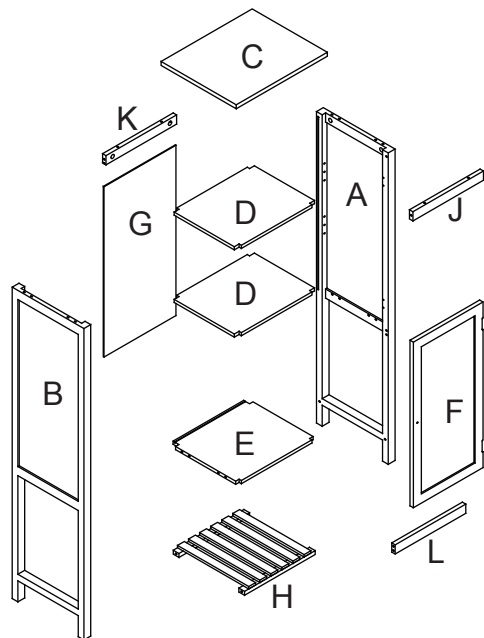
MAXIMUM SAFE LOAD: 10kgs for top panel, 5kgs for each shelf, maximum loading 30kgs.

Hardware list

	a	6X35mm	12PCS
	b	6X25mm	4PCS
	c	15X10mm	16PCS
	d	6X30mm	16PCS
	e		1PC
	f		1PC
	g		2PCS
	h	3X12mm	12PCS
	i		1PC

	j	4X25mm	1PC
	k		8PCS
	l	4X40mm	2PCS
	m		2PCS
	n		4PCS
	o	3X14mm	4PCS
	p		2PCS
	q		4PCS
	r		2PCS

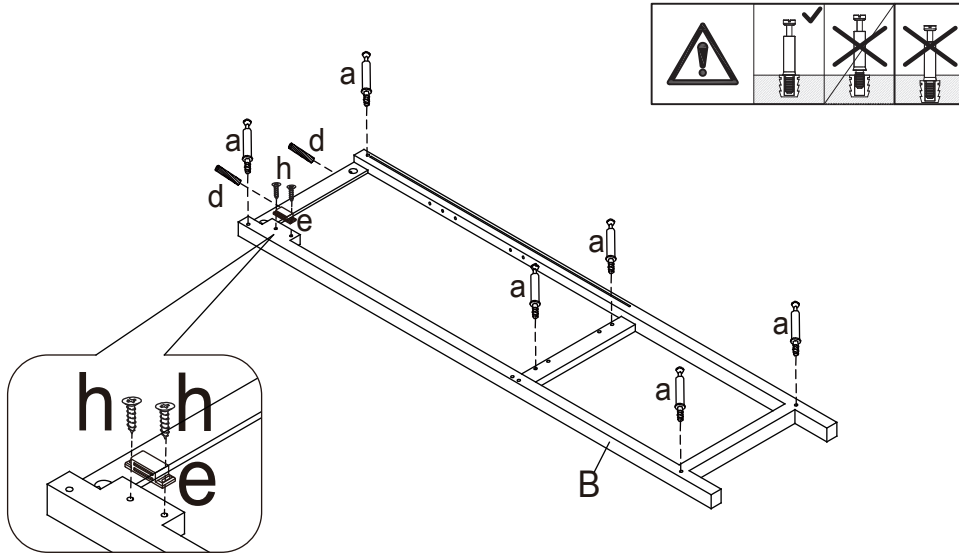
	A	1 PC		B	1 PC		C	1 PC
	D	2 PCS		E	1 PC		F	1 PC
	G	1 PC		H	1 PC		J	1 PC
	K	1 PC		L	1 PC			



**Do not tighten the screws fully during assembly.
Fully tighten screws after the final assembly steps**

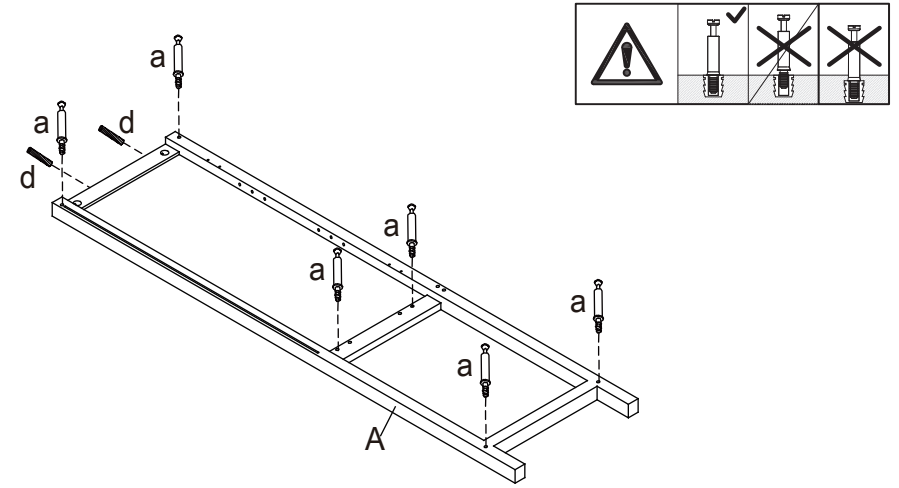
STEP 1

X2 X6 X2 X1



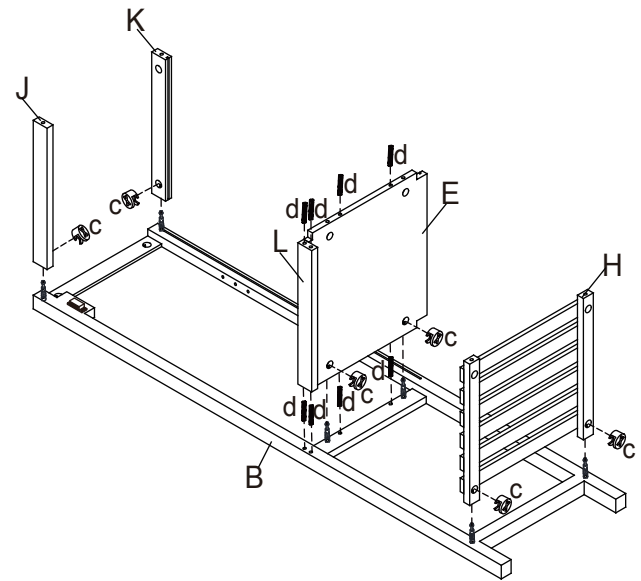
STEP 2

X2 X6



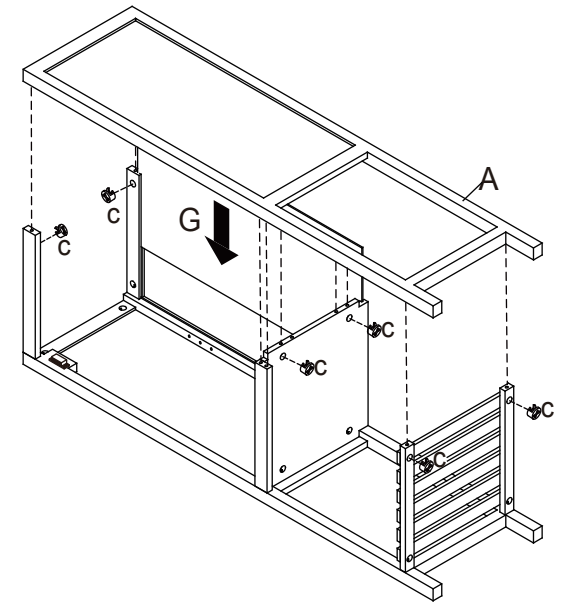
STEP 3

X8 X6

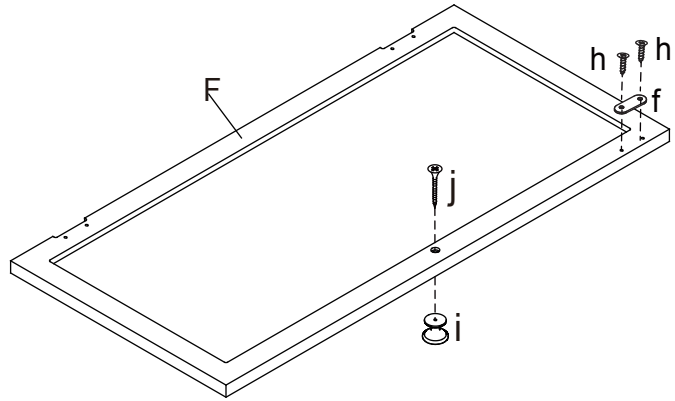
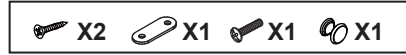


STEP 4

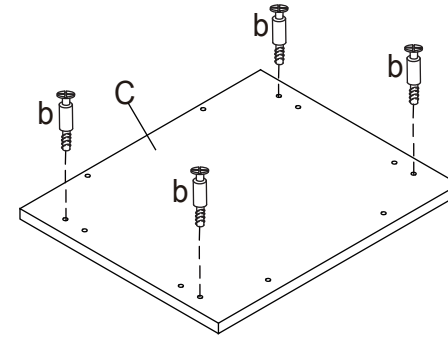
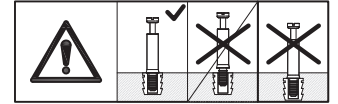
X6



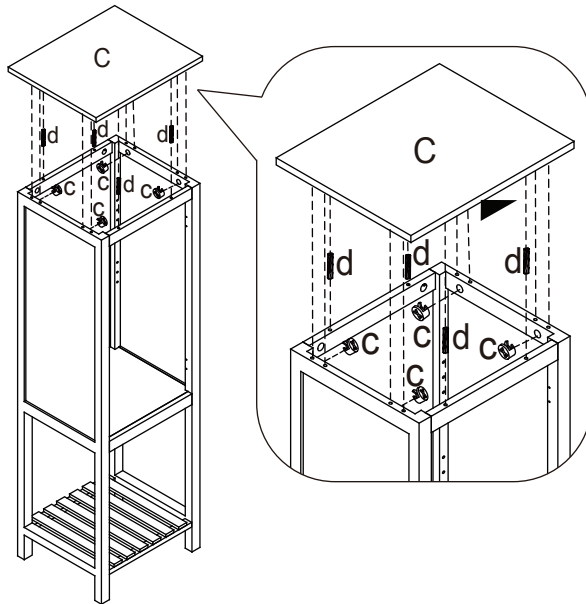
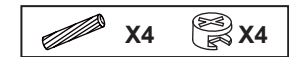
STEP 5



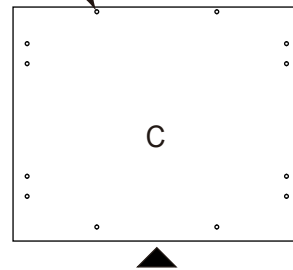
STEP 6



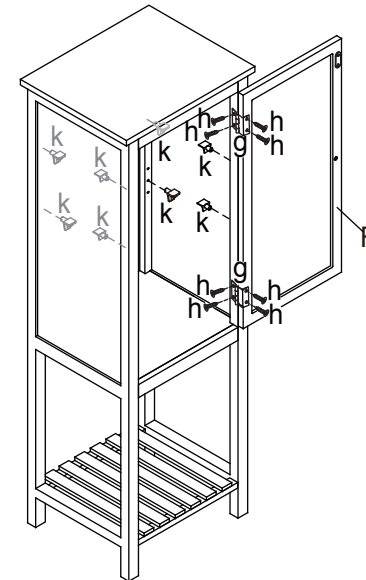
STEP 7



the holes closest to the edge match up with the back face of the unit

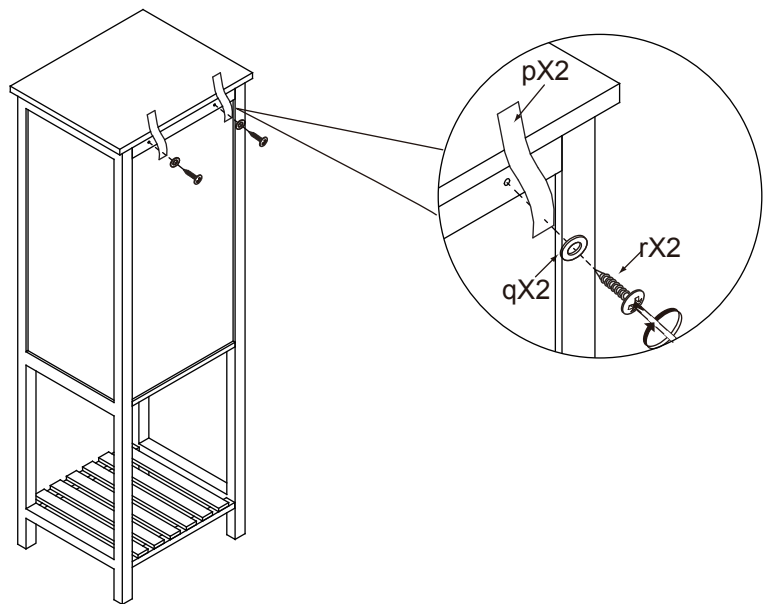


STEP 8



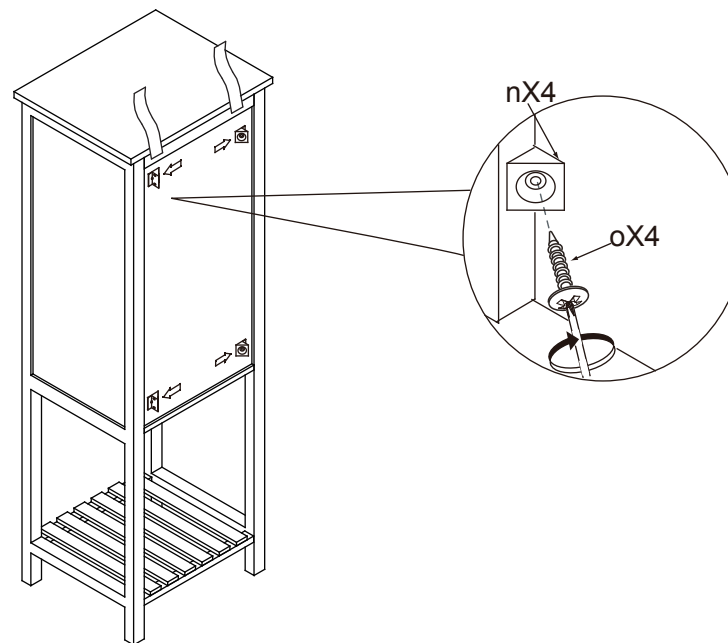
STEP 9

 X2  X2  X2

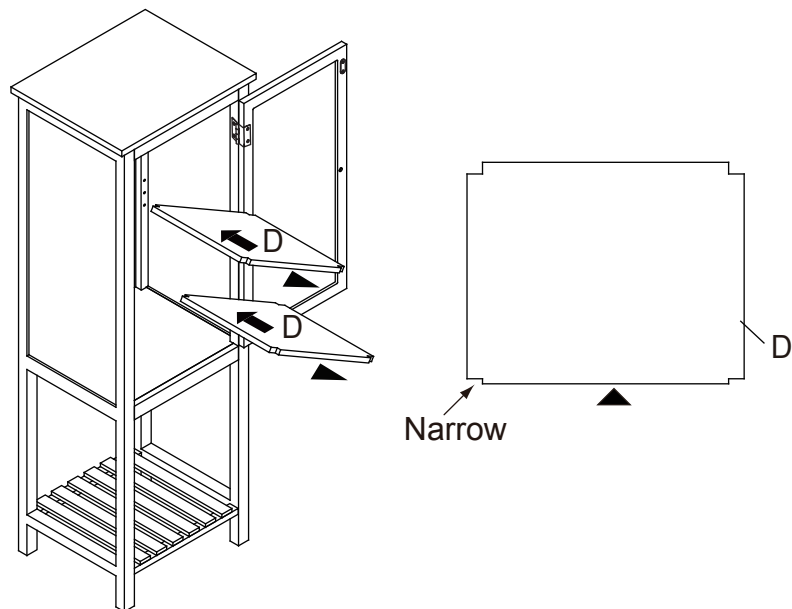


STEP 10

 X4  X4

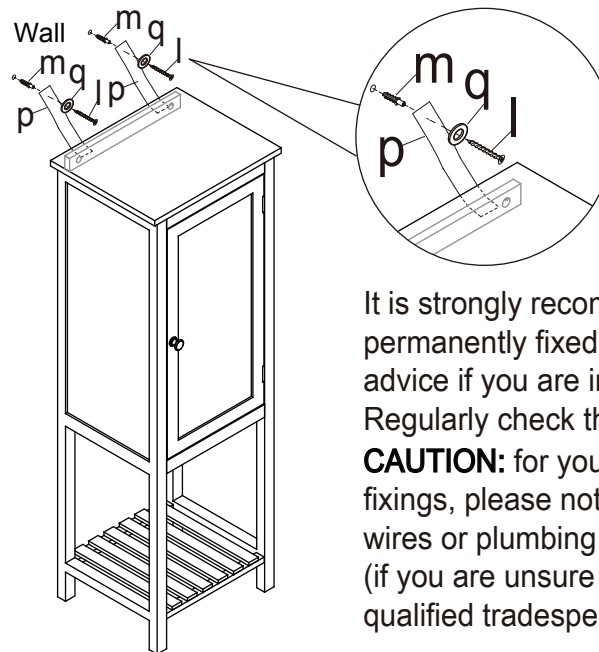


STEP 11



STEP 12

 X2  X2  X2



It is strongly recommended that this product is permanently fixed to the wall. Please seek professional advice if you are in doubt of what fixing device to use. Regularly check that anchors are securely maintained.

CAUTION: for your safety when attaching the anchor fixings, please note the following: Check any electrical wires or plumbing inside the wall before drilling any holes (if you are unsure please seek professional advice from a qualified tradesperson).