

Assembly Instructions

42974086 LARGE WHITE TROLLEY

CARE INSTRUCTION:



















CHECK AND TIGHTEN ALL PARTS REGULARLY. FOR INDOOR AND DOMESTIC USE. WIPE CLEAN WITH A SOFT DRY OR DAMP CLOTH. DO NOT USE ABRASIVE MATERIALS SOLVENTS.

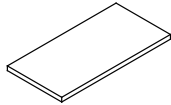
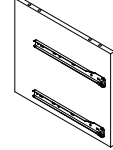
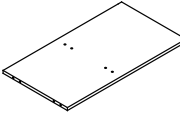
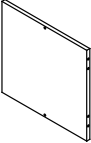
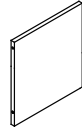
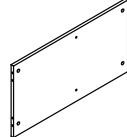
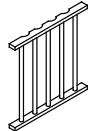
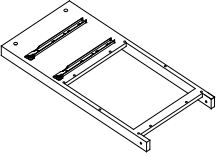
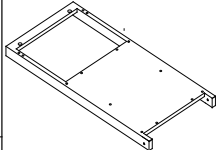
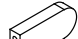
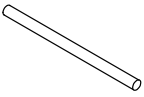
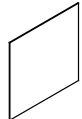
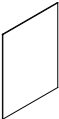
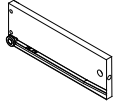
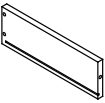
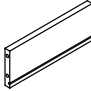
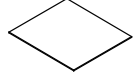
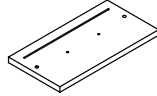
WARNINGS:

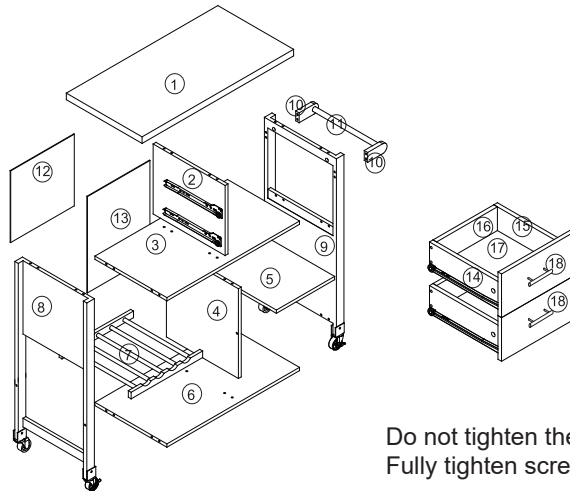
DO NOT STAND OR SIT ON THE UNIT TROLLEY. USE ONLY ON A FLAT SURFACE. DO NOT USE UNTIL ALL SCREWS, BLOTS AND KNOBS ARE FIRMLY SECURED. THIS PRODUCT CONTAINS SMALL PARTS AND SHARP POINTS, KEEP AWAY FROM CHILDREN AND BABIES. ADULT ASSEMBLY REQUIRED. WHEN USE THE TOP AS A CHOPPING SURFACE, LOCK ALL WHEELS AND PLACE THE TROLLEY AGAINST WALL OR OTHER FIXED UNIT TO AVOID UNINTENDED MOVING. FAILURE TO FOLLOW THESE WARNINGS COULD RESULT IN SERIOUS INJURY.

MAXIMUM SAFE LOAD: 20KG FOR PANEL, 5KG FOR EACH DRAWER, 5KG FOR WINE RACK, 5KG FOR EACH SHELF.

Hardware list

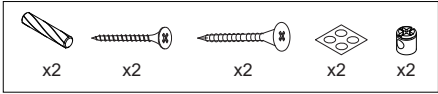
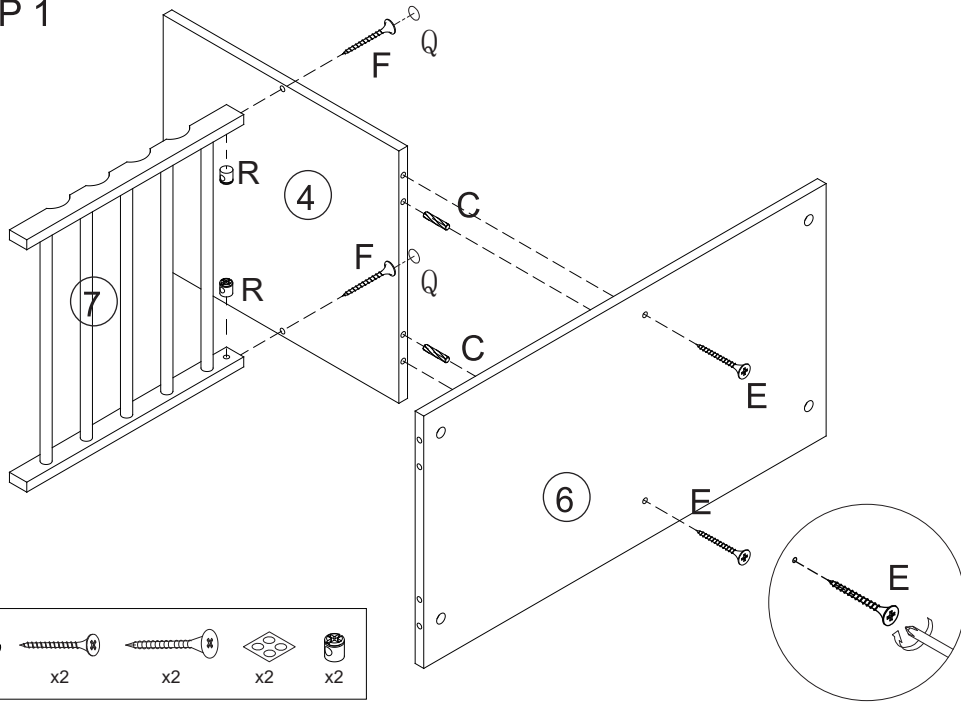
	A	∅6X35mm	12PCS		J		4PCS
	B	∅15mm	12PCS		K		2PCS
	C	∅6X30mm	24PCS		L		2PCS
	D		1PC		M	∅6X35mm	4PCS
	E	∅4X35mm	12PCS		N		4PCS
	F	∅4X50mm	16PCS		O		4PCS
	G	∅1.2X20mm	16PCS		P		1PC
	H		2PCS		Q	∅15mm	22PCS
	I	∅4X18mm	4PCS		R		12PCS

	①	1PC		②	1PC		③	1PC		④	1PC
	⑤	1PC		⑥	1PC		⑦	1PC		⑧	1PC
	⑨	1PC		⑩	2PCS		⑪	1PC		⑫	1PC
	⑬	1PC		⑭	2PCS		⑮	2PCS		⑯	2PCS
	⑰	2PCS		⑱	2PCS						

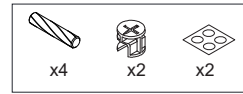
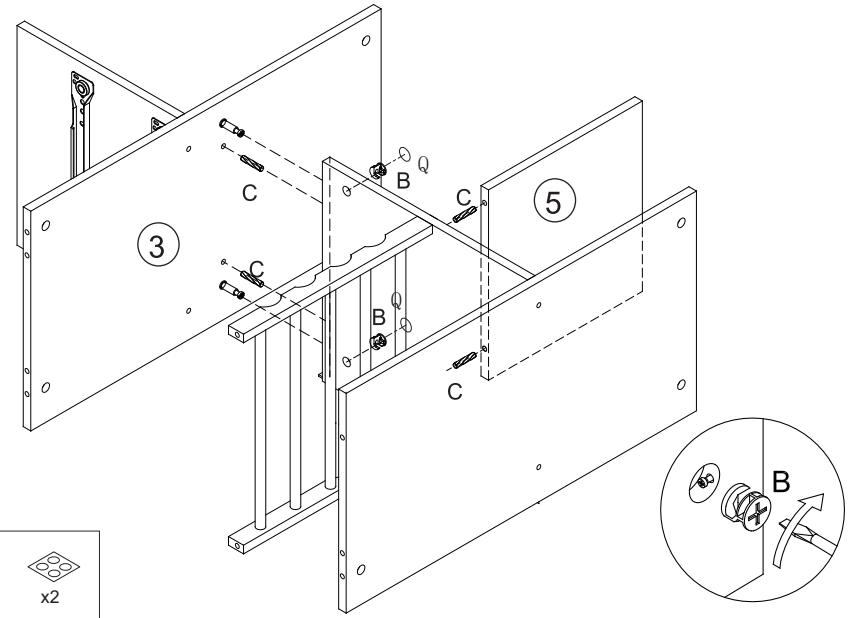


Do not tighten the screws fully during assembly.
Fully tighten screws after the final assembly steps.

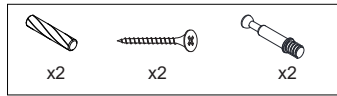
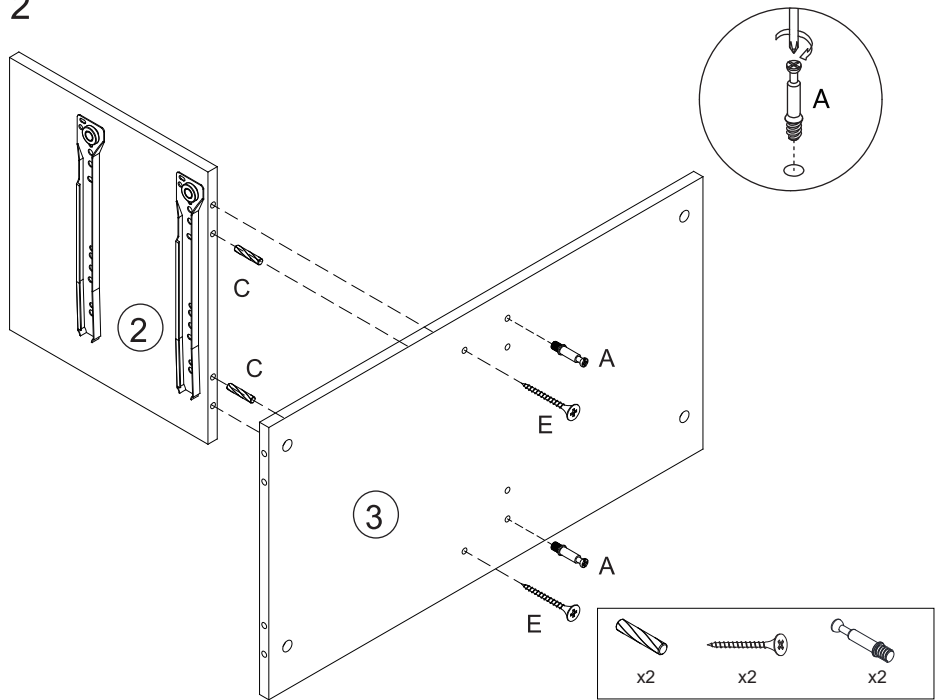
STEP 1



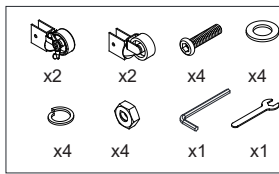
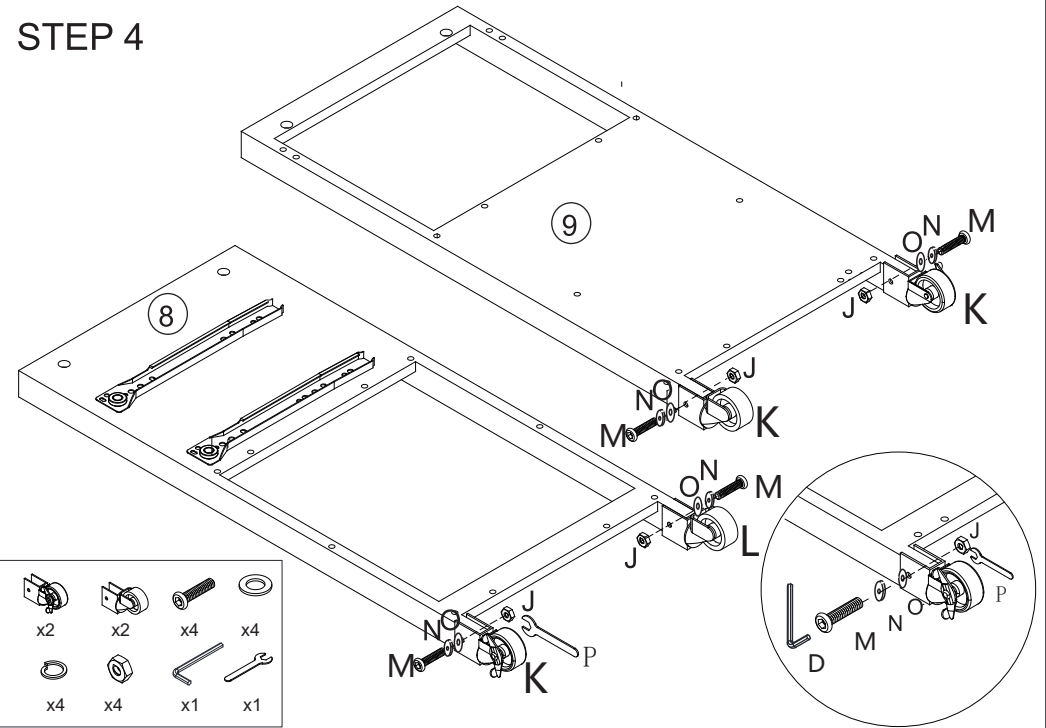
STEP 3



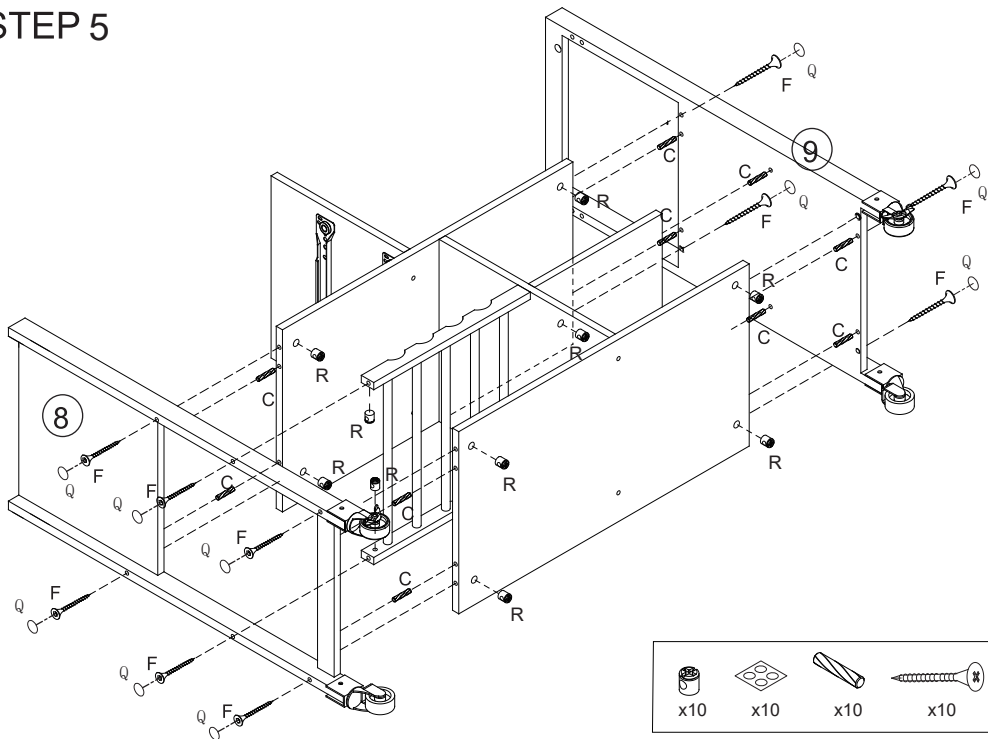
STEP 2



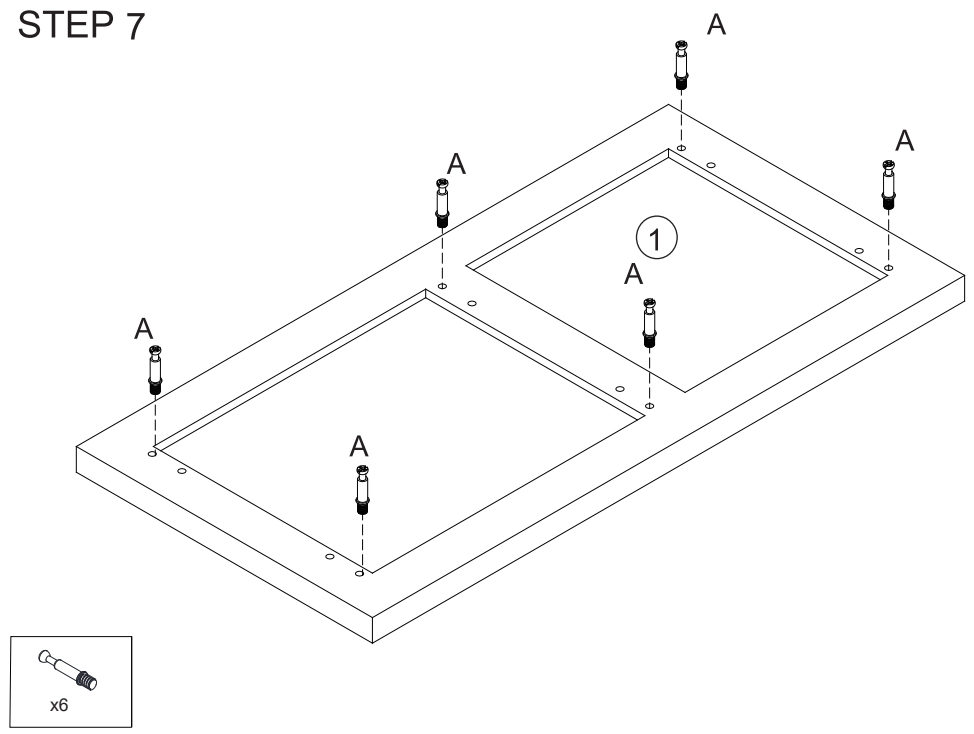
STEP 4



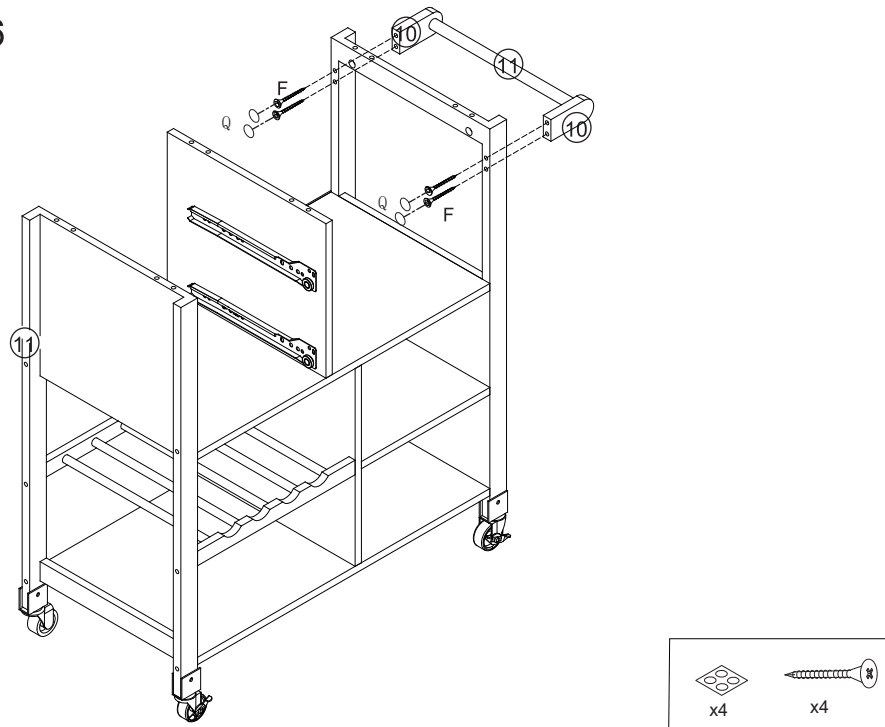
STEP 5



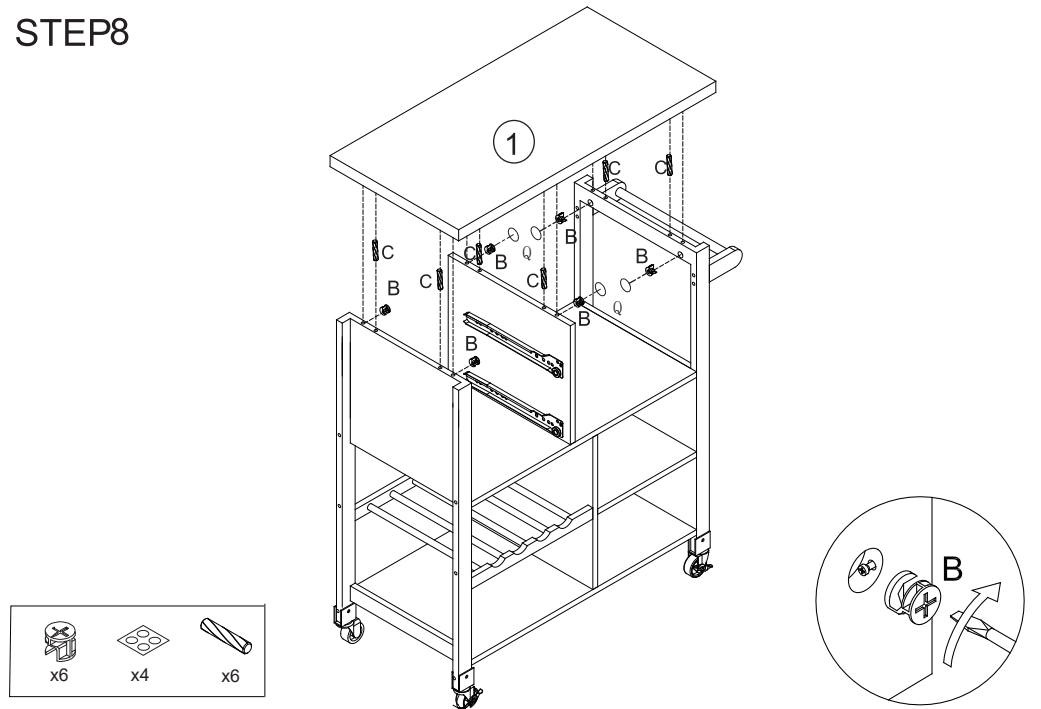
STEP 7



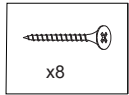
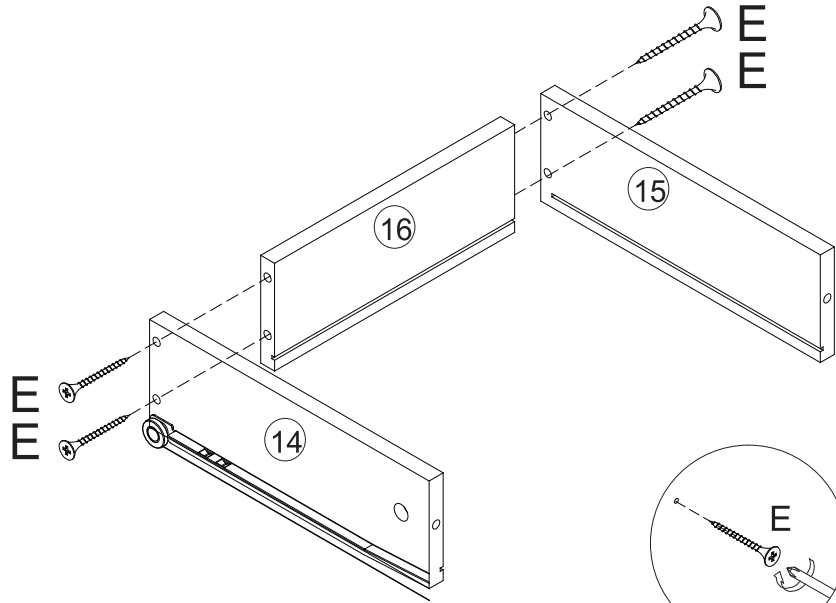
STEP 6



STEP 8

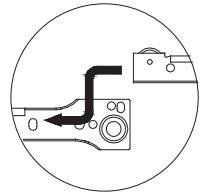
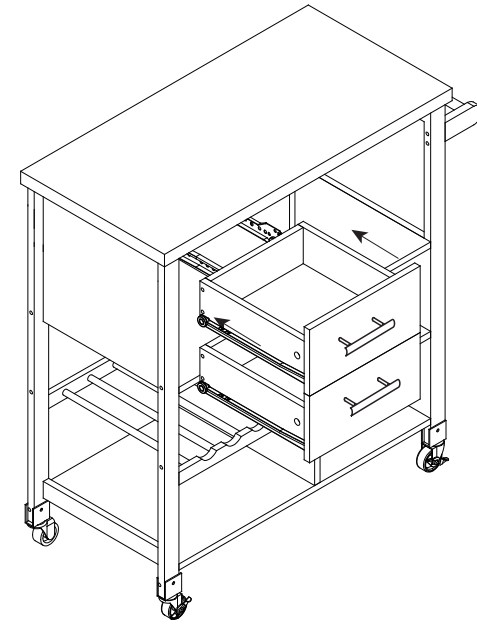


STEP 9

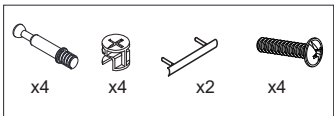
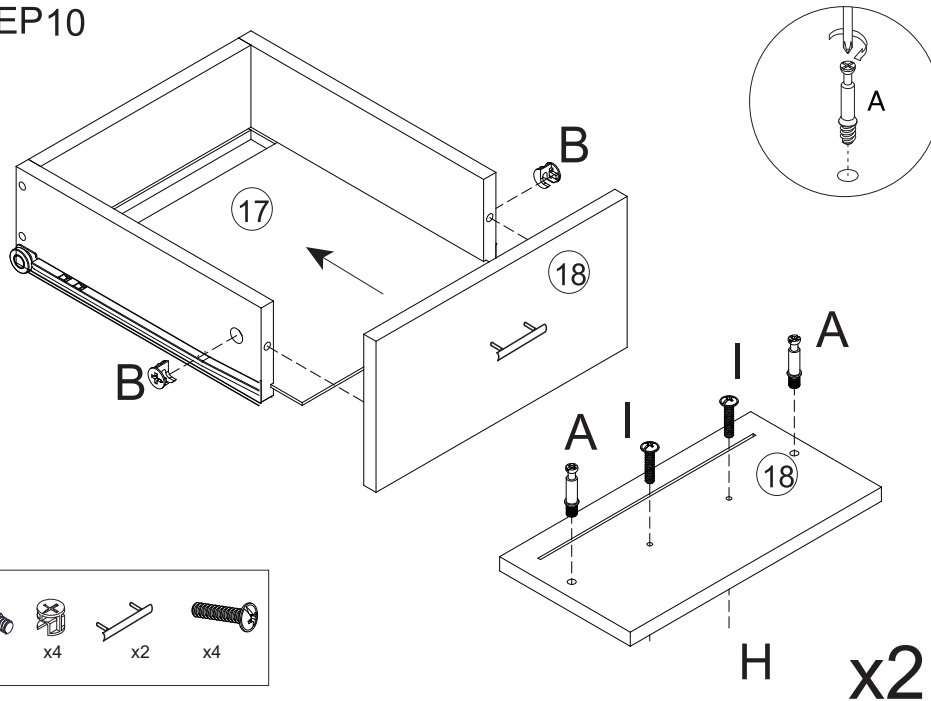


x2

STEP 11



STEP 10



x2

STEP 12

