

Assembly Instructions

42974116 House Shaped Bed Frame



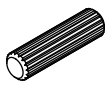



CARE INSTRUCTIONS:

TO BE ASSEMBLED ON A CLEAN, DRY AND SMOOTH SURFACE. WIPE CLEAN WITH A SOFT DAMP CLOTH. NEVER USE SCOURERS, ABRASIVES OR CHEMICAL SOLVENTS. CHECK AND TIGHTEN ALL PARTS REGULARLY. KEEP AWAY FROM MOISTURE AND DIRECT SUNLIGHT. STORE IN A DRY PLACE. FOR INDOOR USE ONLY.

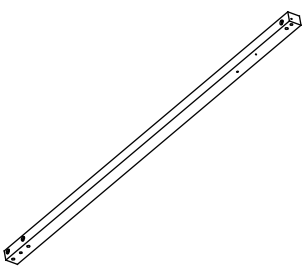
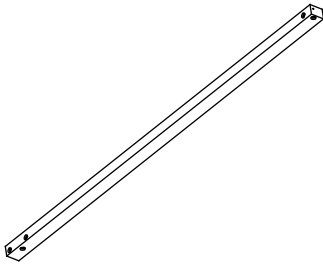
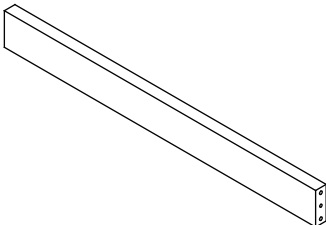
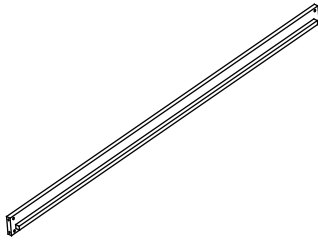
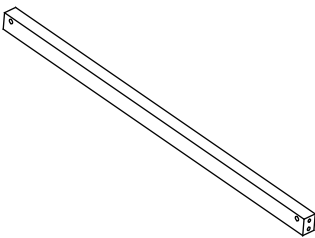
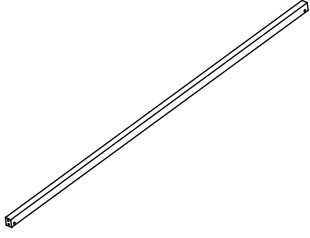
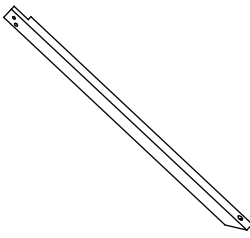
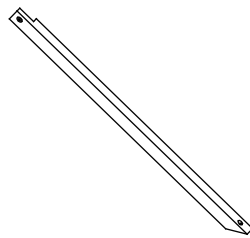
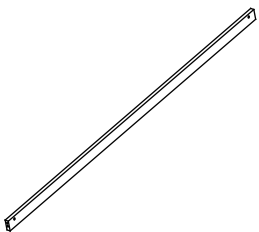
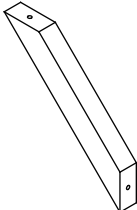
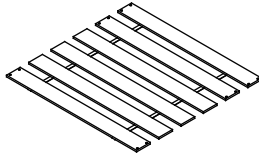
WARNING :

ENSURE THIS UNIT IS USED ONLY ON A FLAT SURFACE. DO NOT USE THIS UNIT UNLESS ALL BOLTS AND SCREWS ARE FIRMLY SECURED. THIS PACKAGE CONTAINS SMALL PARTS AND SHARP POINTS. ADULT ASSEMBLY REQUIRED. THE FRAMES ARE NOT DESIGNED TO HOLD EXTRA WEIGHT. DO NOT ATTACH OR HANG ITEMS FROM FRAMES. PLEASE DO NOT ALLOW CHILDREN TO SWING, CLIMB OR HANG FROM THE FRAMES. MAXIMUM SAFE LOAD: 70KG FOR BED BASE.

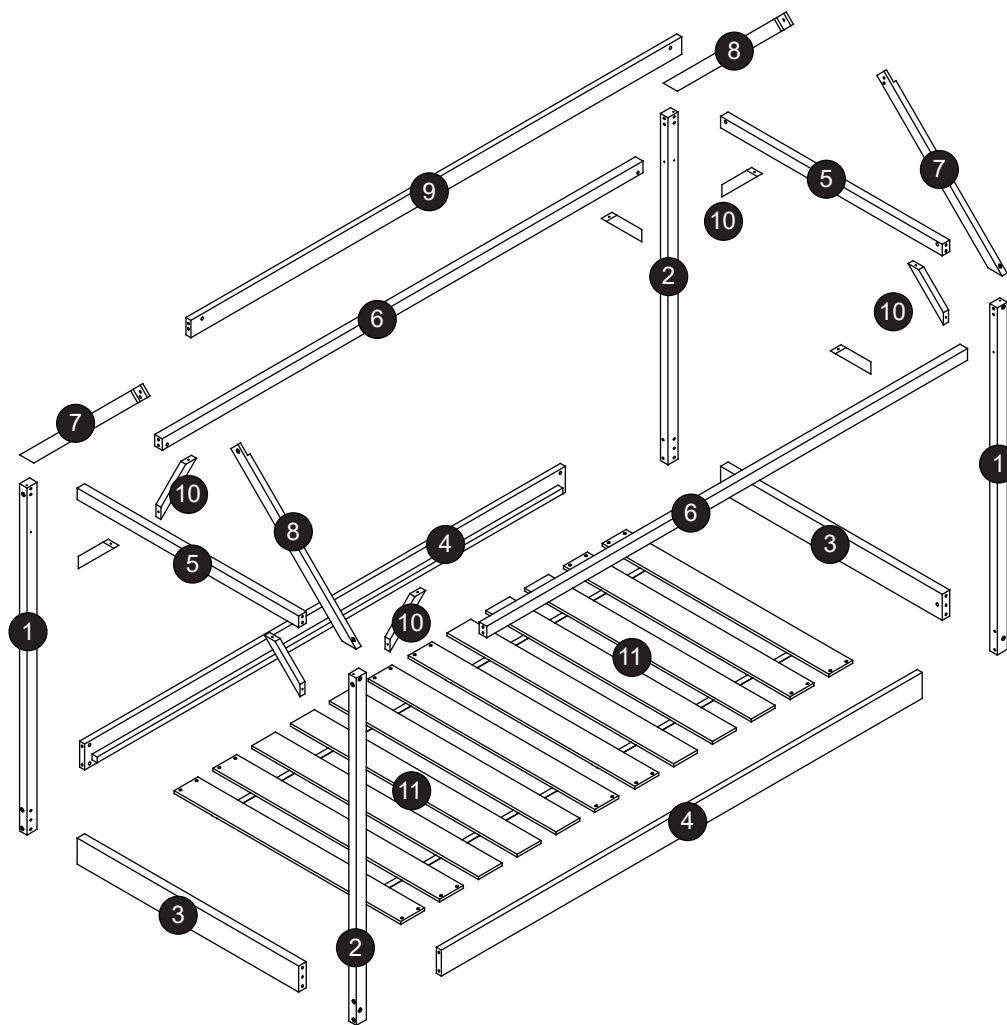
1 Hardware List

	A	M6x80mm	22pcs		B	10x15mm	22pcs		C	Ø8x30mm	18pcs
	D	M4x30mm	20pcs		E	M4x25mm	24pcs		F	4mm	1pc

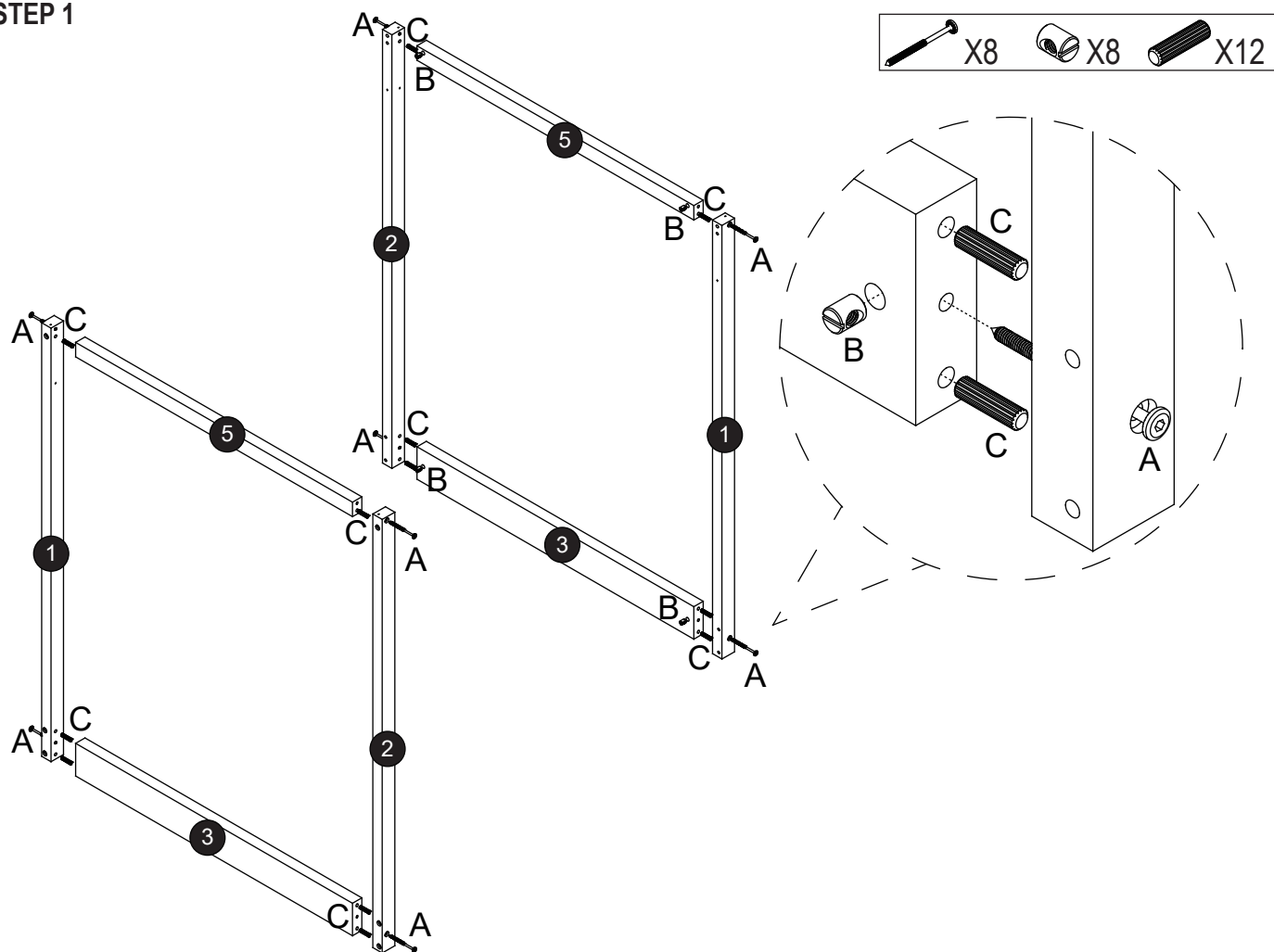
2 Parts List

	①	2pcs		②	2pcs		③	2pcs		④	2pcs
	⑤	2pcs		⑥	2pcs		⑦	2pcs		⑧	2pcs
	⑨	1pc		⑩	8pcs		⑪	2pcs			

3

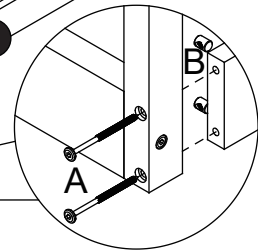
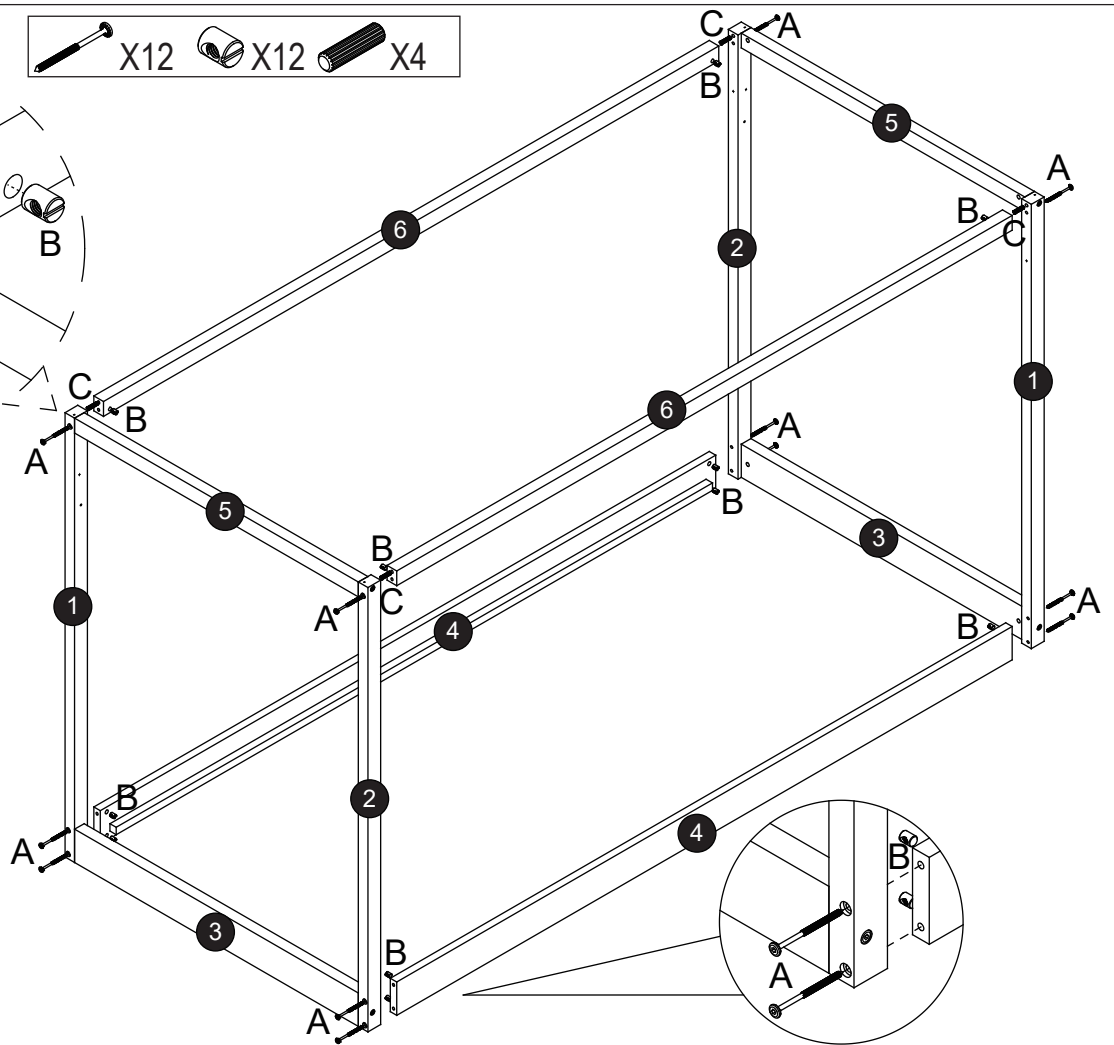
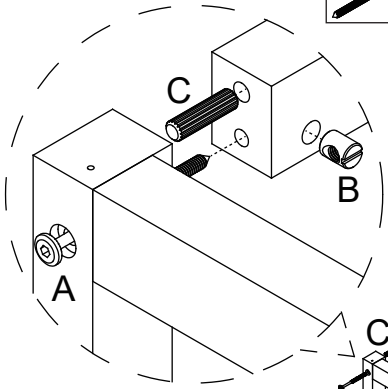


STEP 1



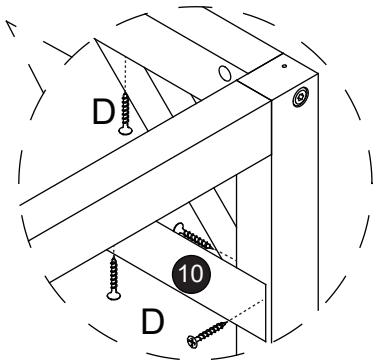
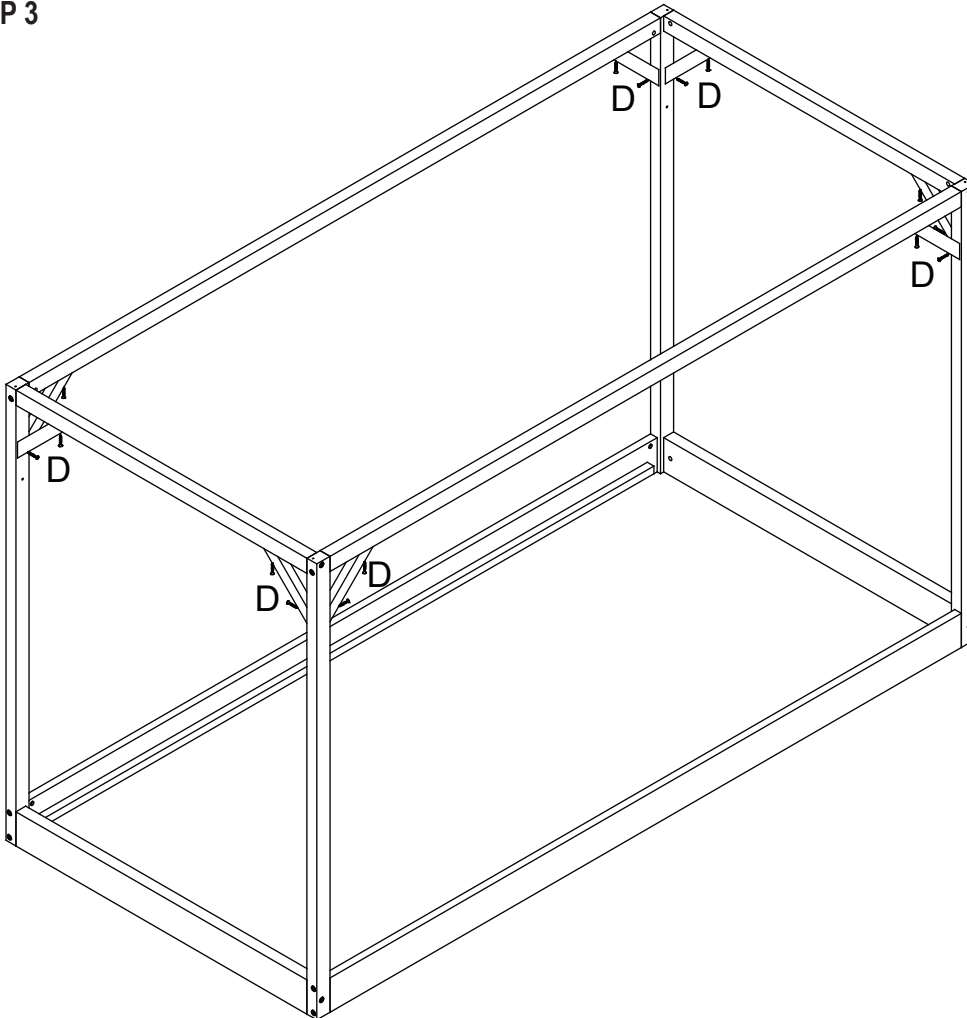
STEP 2

X12 X12 X4

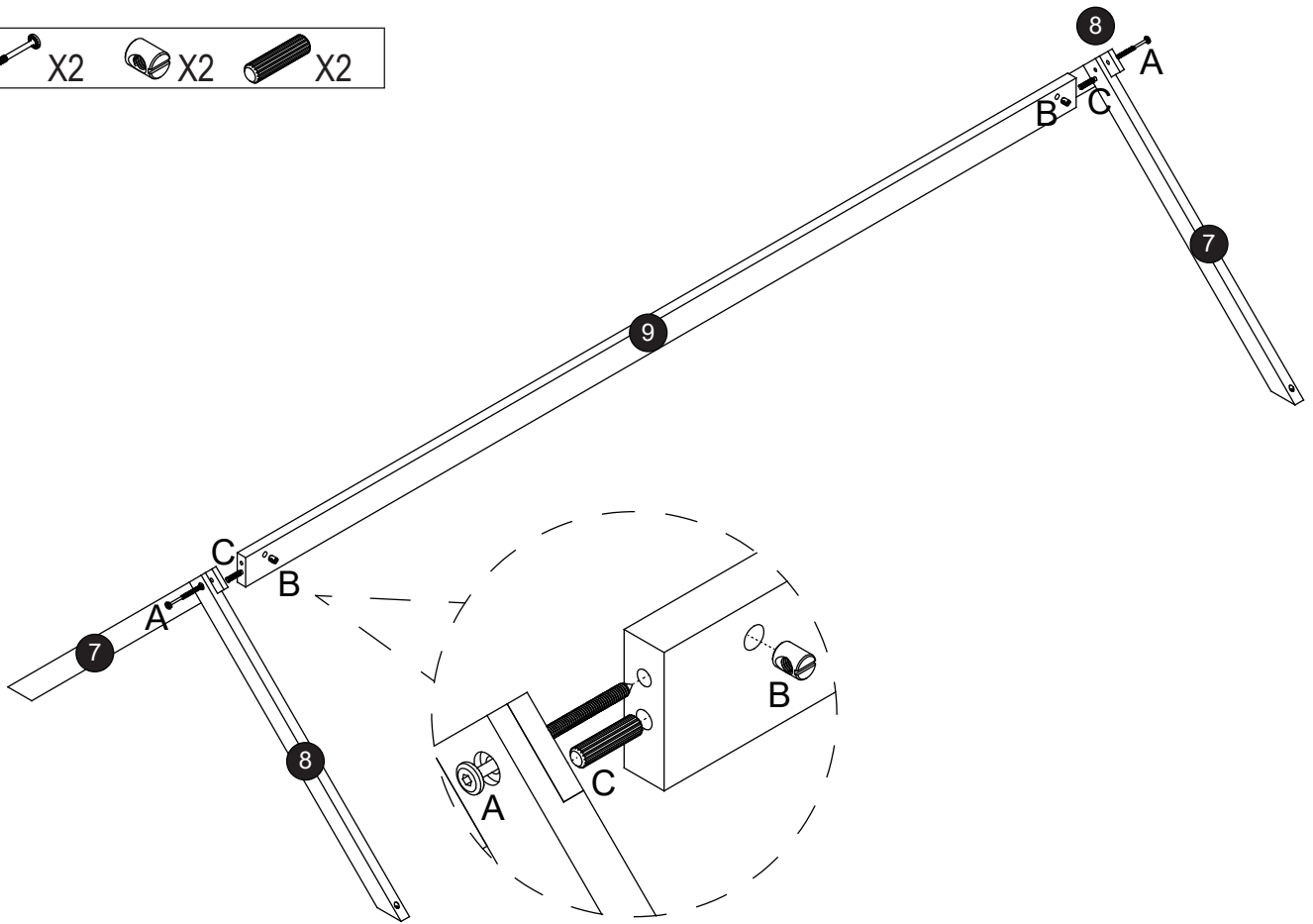


STEP 3

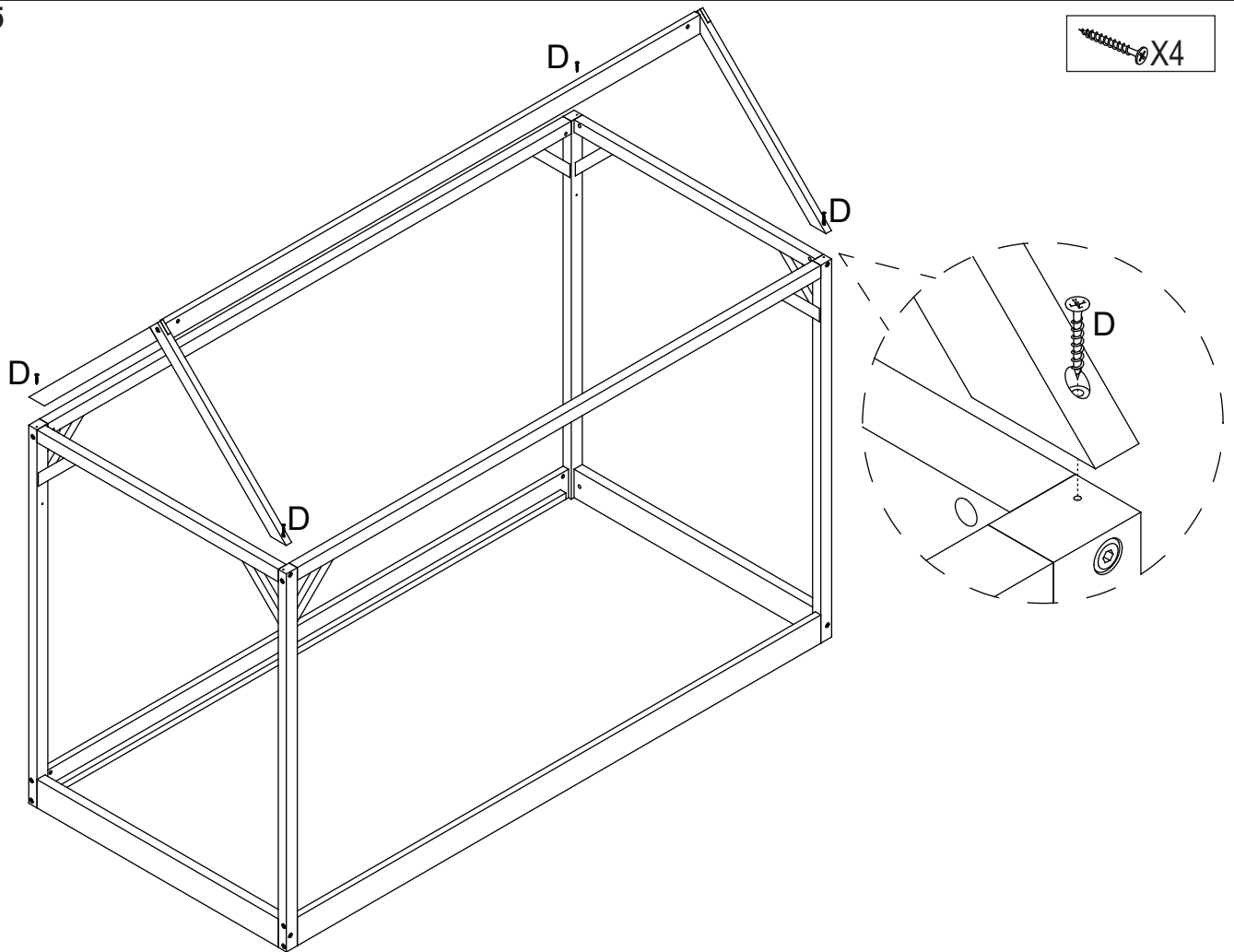
X16



STEP 4



STEP 5



STEP 6

