

Assembly Instructions

42974369 KIDS BOOK DISPLAY STORAGE UNIT





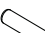

WARNING:

DO NOT STAND, SIT OR LEAN ON THE UNIT. DO NOT USE THIS UNIT AS A STEP LADDER. ENSURE THIS UNIT IS USED ONLY ON A FLAT SURFACE. DO NOT USE THIS UNIT UNLESS ALL BOLTS AND SCREWS ARE FIRMLY SECURED. DO NOT PLACE HOT OBJECTS SUCH AS COFFEE CUPS DIRECTLY ON THE SURFACE OF THIS FURNITURE ITEM. THIS ITEM IS FOR STORAGE PURPOSE ONLY. FAILURE TO FOLLOW THESE WARNINGS COULD RESULT IN SERIOUS INJURY. THIS PACKAGE CONTAINS SMALL PARTS AND SHARP POINTS. KEEP AWAY FROM CHILDREN AND BABIES.

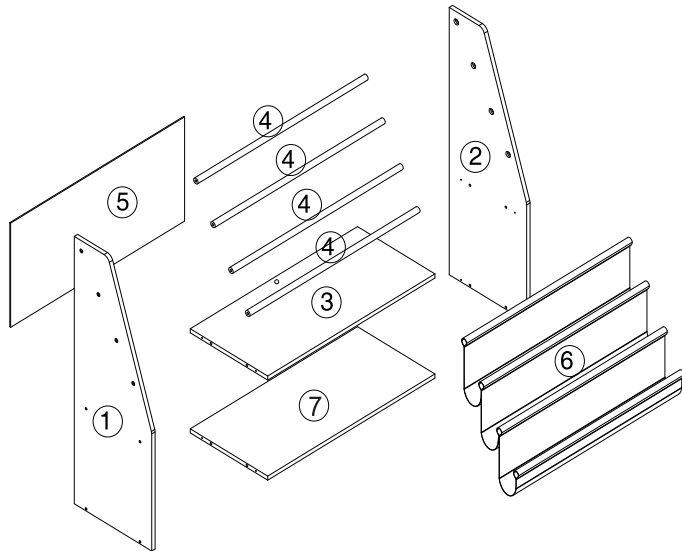
MAXIMUM SAFE LOAD: 4KG FOR EACH FABRIC LAYER, 7KG FOR BOTTOM PANEL.

1

Hardware List

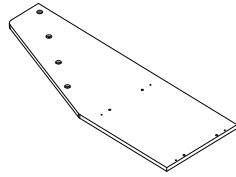
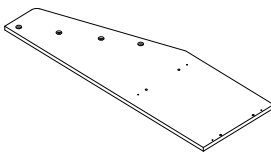
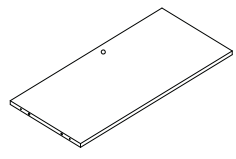
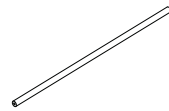
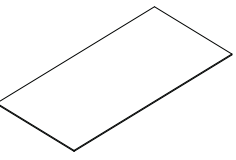
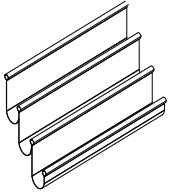
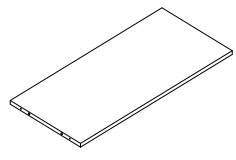
	A	M6x30mm	8pcs		D	M2x16mm	10pcs
	B	M4x35mm	8pcs		E		1pc
	C	∅6x30mm	8pcs		F		16pcs

2






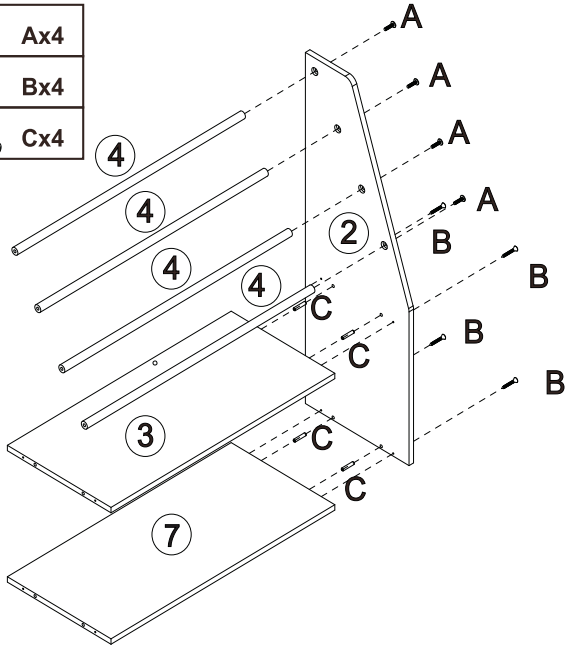
Do not tighten the screws fully during assembly.
Fully tighten screws after the final assembly steps

3

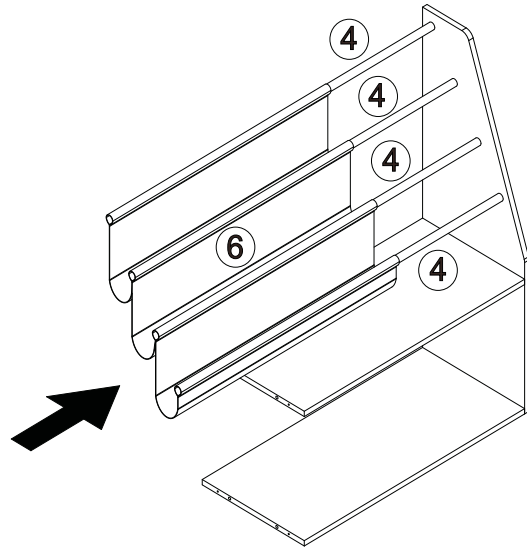
			
①	1PC	②	1PC
			
③	1PC	④	4PCS
			
⑤	1PC	⑥	1PC
			
⑦	1PC		

STEP 1




-  Ax4
-  Bx4
-  Cx4

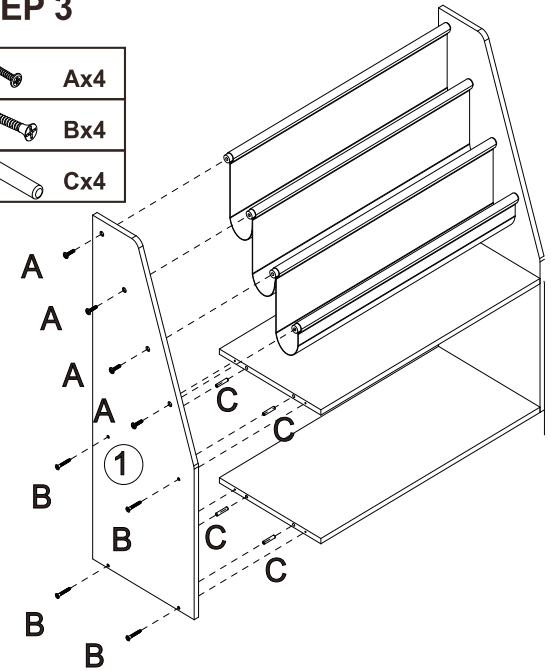


STEP 2



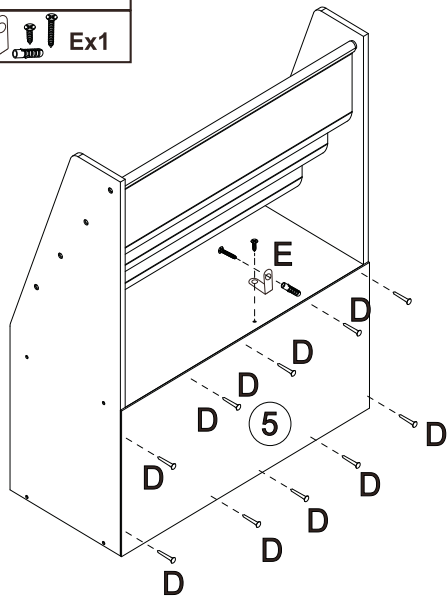
STEP 3

-  Ax4
-  Bx4
-  Cx4



STEP 4

-  Dx10
-  Ex1



USER INSTRUCTION FOR WALL ANCHOR:
 IT IS STRONGLY RECOMMENDED THAT THIS PRODUCT IS PERMANENTLY FIXED TO THE WALL. PLEASE SEEK PROFESSIONAL ADVICE IF YOU ARE IN DOUBT OF WHAT FIXING DEVICE TO USE. REGULARLY CHECK THAT ANCHORS ARE SECURELY MAINTAINED. CAUTION: FOR YOUR SAFETY WHEN ATTACHING THE ANCHOR FIXINGS, PLEASE NOTE THE FOLLOWING: CHECK ANY ELECTRICAL WIRES OR PLUMBING INSIDE THE WALL BEFORE DRILLING ANY HOLES (IF YOU ARE UNSURE PLEASE SEEK PROFESSIONAL ADVICE FROM A QUALIFIED TRADESPERSON)



WARNING: PLEASE SECURE YOUR FURNITURE WITH THE SUPPLIED WALL FIXING. SCAN THE CODE FOR



STEP 5

-  Fx16

