

# Assembly Instructions

## 42974383--storage unit with 4 tubs

### CARE INSTRUCTIONS:

Keep away from water and direct sunlight. For indoor and domestic use. Wipe clean with a soft dry cloth. Check and tighten all parts regularly.






### WARNING:

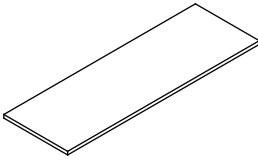

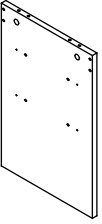
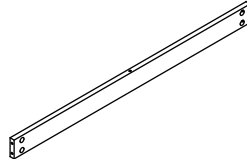
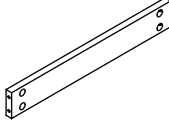
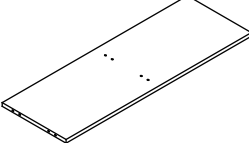
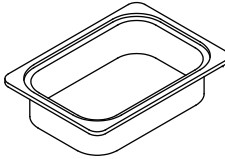
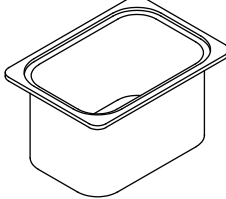
Do not stand or sit on the unit. Do not lean on the product. Do not drag the product. Use only on a flat surface. Do not use until all screws, bolts and knobs are firmly secured. Load the drawer evenly to prevent it from tipping over.

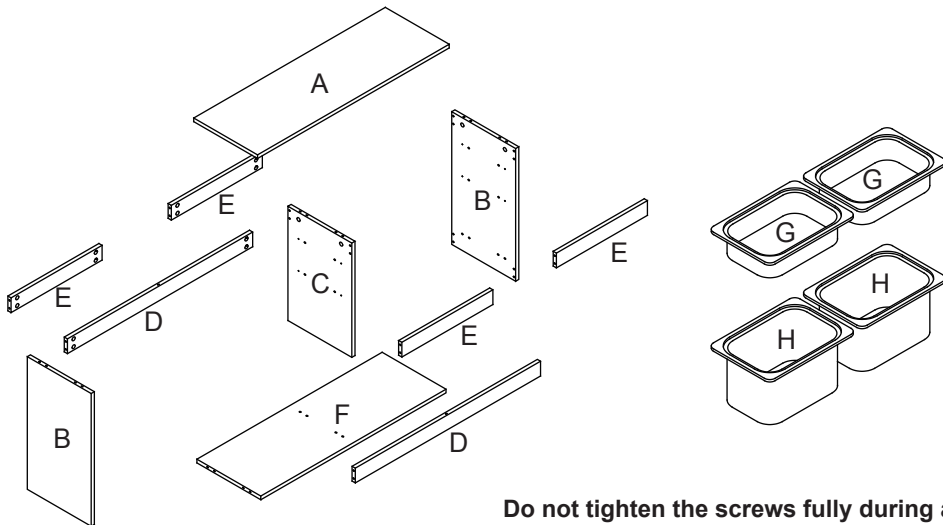
This product contains small parts and sharp points, keep away from children and babies. Adult assembly required. Failure to follow these warnings could result in serious injury.

**MAXIMUM SAFE LOAD: 10kgs for top panel, 5kgs for big and small tubs, maximum loading 30kgs.**

### Hardware list

	a	6X35mm	36PCS
	b	15X10mm	36PCS
	c	3X12mm	16PCS
	d	6X30mm	14PCS
	e		8PCS

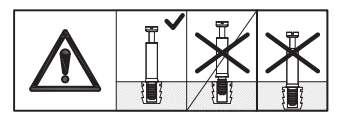
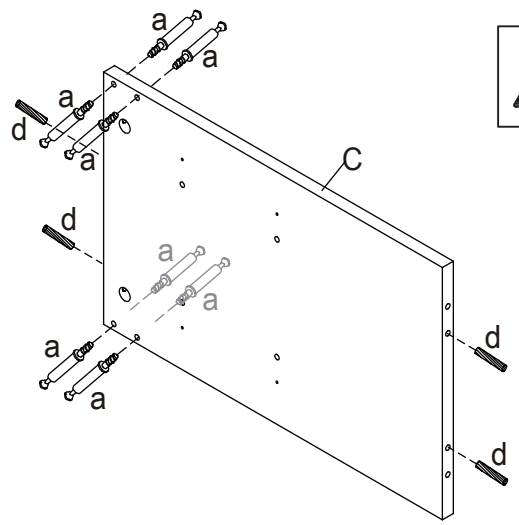
	A	1 PC		B	2 PCS		C	1 PC
	D	2 PCS		E	4 PCS		F	1 PC
	G	2 PCS		H	2 PCS			



**Do not tighten the screws fully during assembly.  
Fully tighten screws after the final assembly steps**

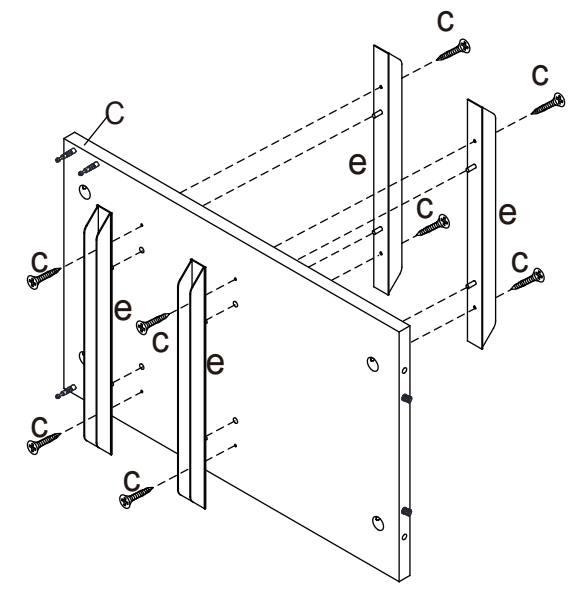
### STEP 1

 X4  X8

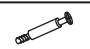


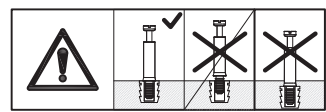
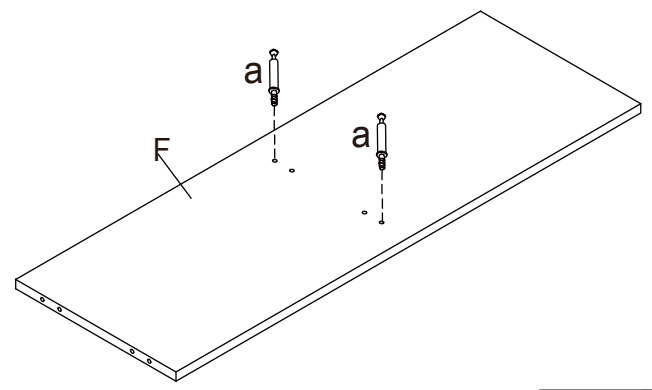
### STEP 2

 X8  X4




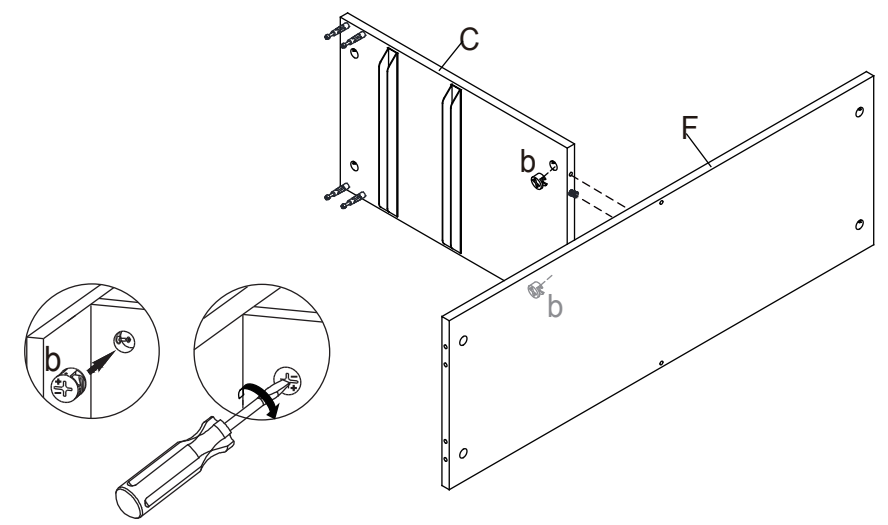
### STEP 3

 X2



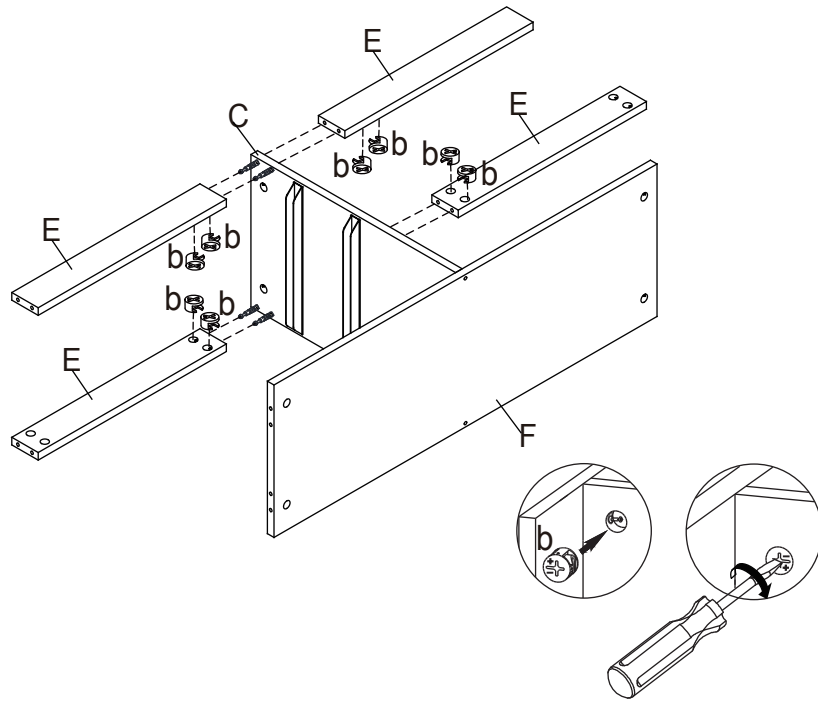
### STEP 4

 X2



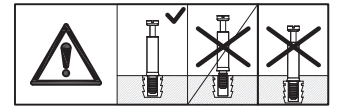
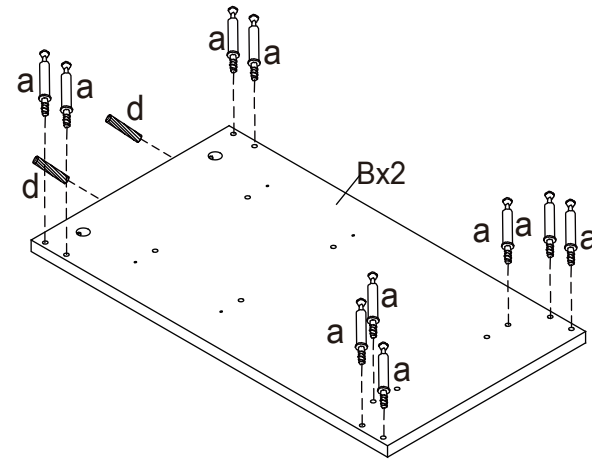
### STEP 5

 X8



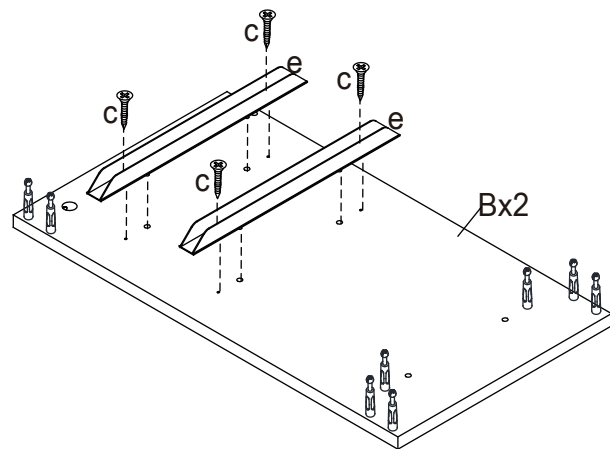
### STEP 6

 X4  X20

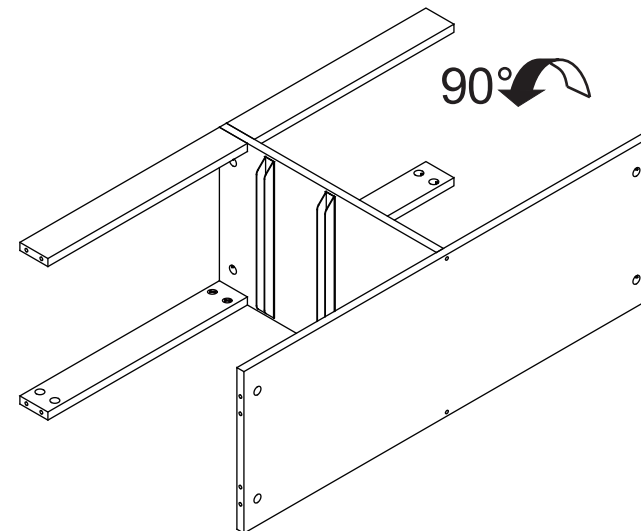


### STEP 7

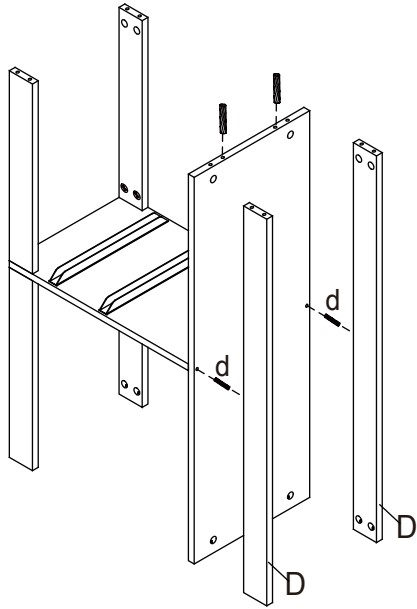
 X8  X4



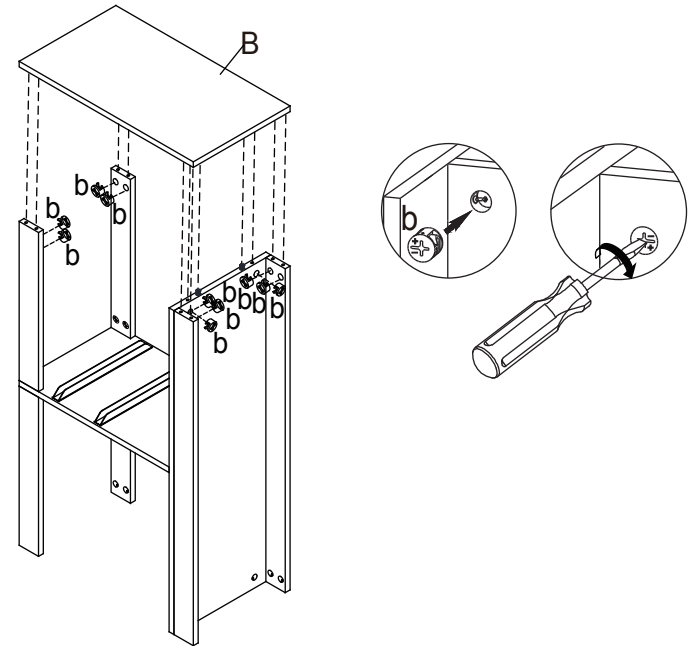
### STEP 8



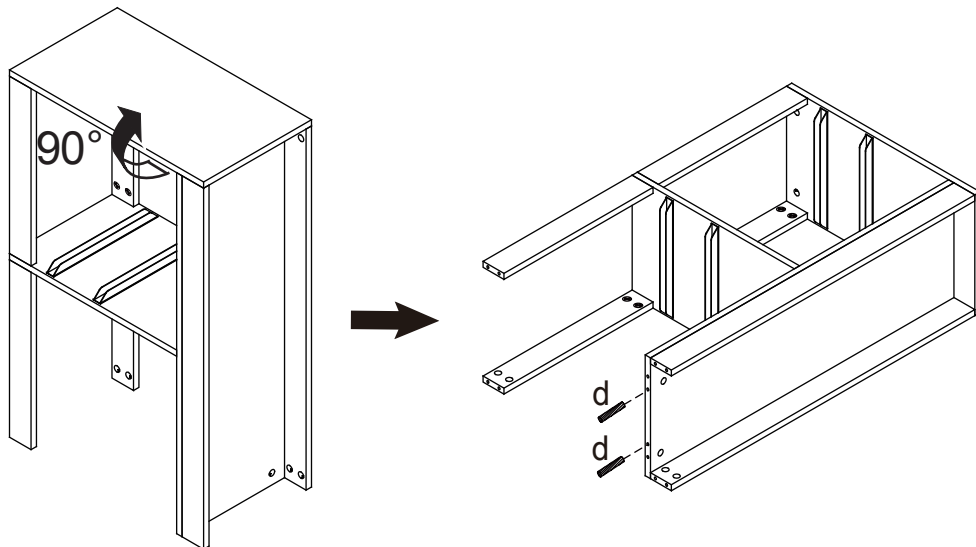
STEP 9  X4



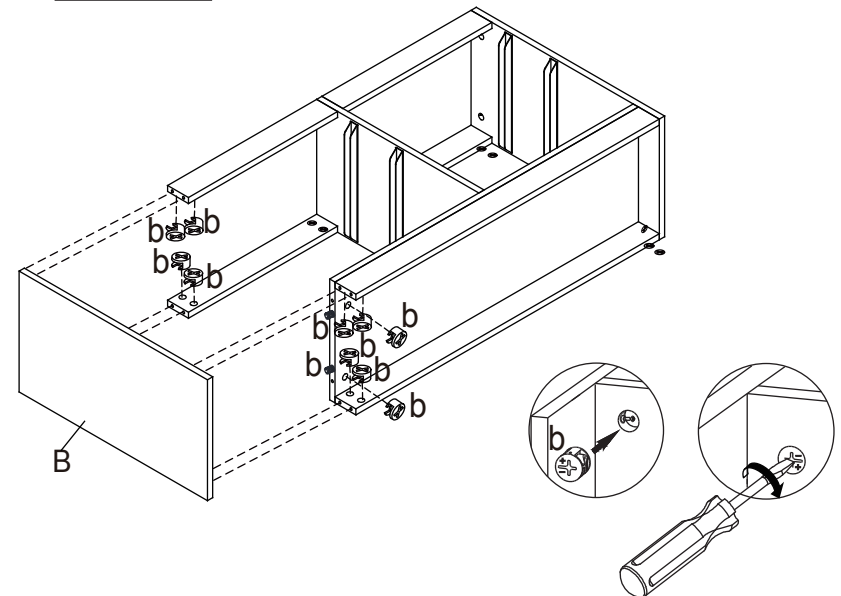
STEP 10  X10




STEP 11  X2

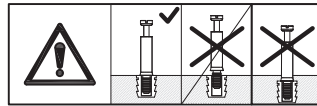
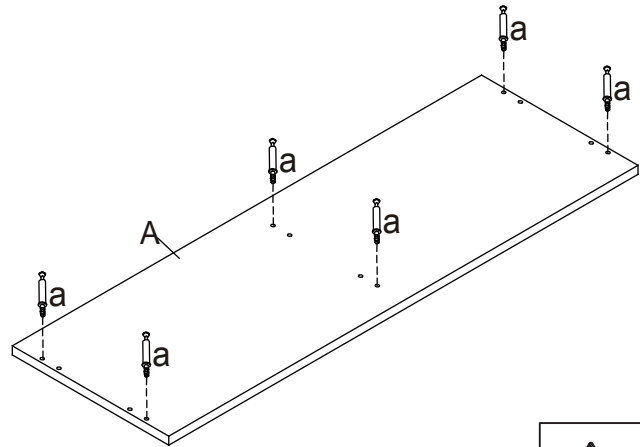


STEP 12  X10



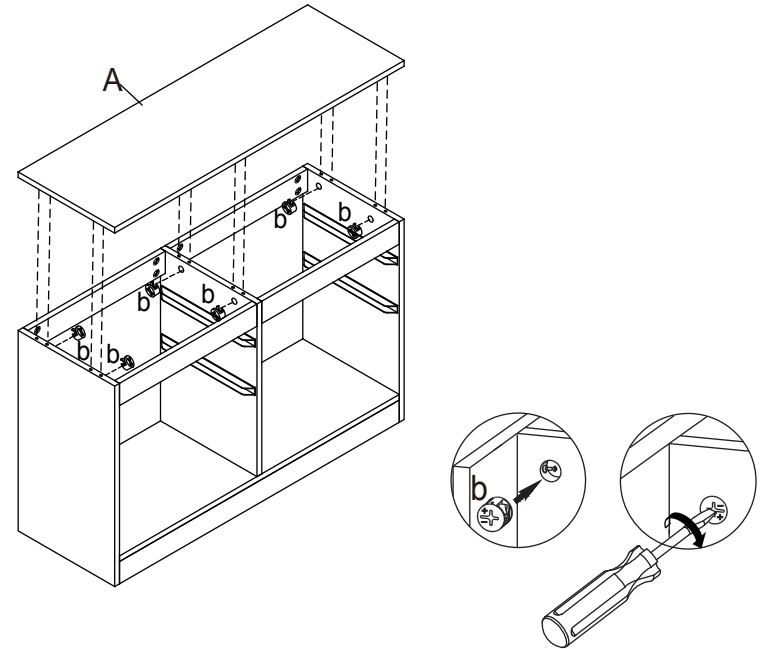
**STEP 13**

 X6

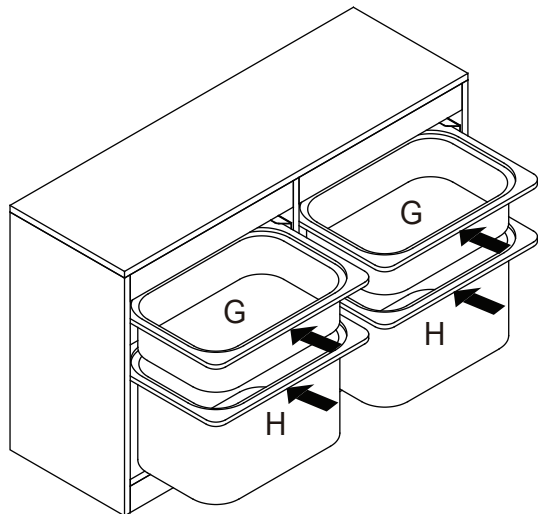


**STEP 14**

 X6



**STEP 15**



**STEP 16**

