

Office chair mesh

ASSEMBLY INSTRUCTION

Key Code: 42-974-550

Made in China

Thank you for purchasing one of our products, please carefully read the assembly instructions before you begin assembly. We recommend 2 adults to assemble.








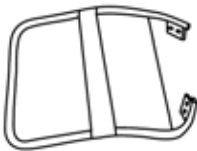
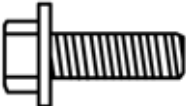
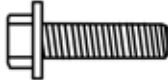

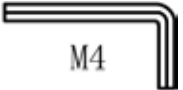
Warning!

- Do not stand on this chair. Do not use this chair as a step ladder.
- Do not sit on the armrest.
- Use this product for seating one person at a time.
- Do not use this chair unless all bolts, screws and knobs are firmly secure.
- At least every 4 months, check all bolts, screws and knobs to be sure they are tight.
- If parts are missing, broken, damaged or worn, stop using this product until repairs are made using factory authorized parts.
- Maximum safe load limit: 100kg
- Failure to follow these warnings could result in serious injury.

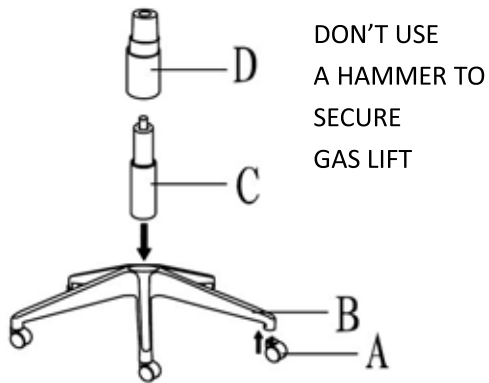


Please check you have all the components listed below

Attention: Do not tighten all screws until assembly is completed.

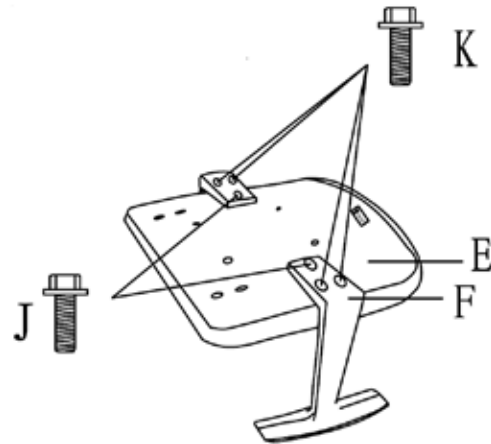
					
Castor	Base	Gas Lift	Cover	Seat	Armrest
A x 5	B x 1	C x 1	D x 1	E x 1	F x 2 (L & R)
					
Seat Plate	Backrest	M6 x 20mm	M6 x 30mm	M6 x 35mm	Allen Key
G x 1	H x 1	I x 8	J x 2	K x 4	L x 1

Step 1: Push all the 5 castors (part A) into the underside of the base (part B). Ensure the castors are fully inserted. Then insert gas lift (part C) into the wheel base. Ensure that it is firmly fitted. Slide the cover (part D) into the gas lift.

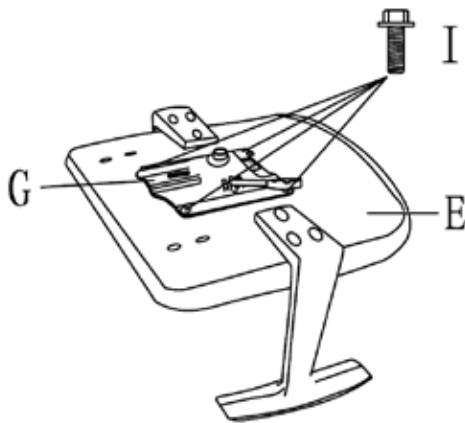


Step 2: Turn over the chair seat (part E).

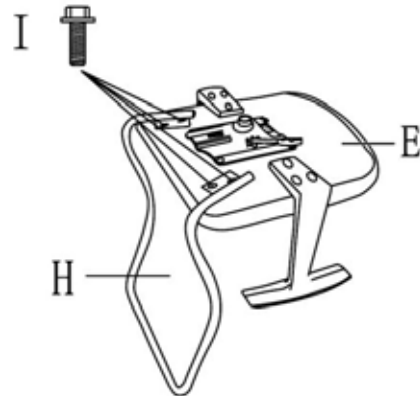
Fasten seat with armrests (part F) using Screws (part J & K) on each side.



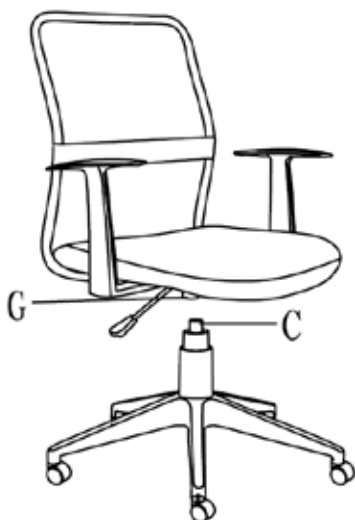
Step 3: Use screws (part I) to fix the seat plate (G) onto the seat (part E). Ensure the seat plate is firmly fitted onto the seat.



Step 4: Fasten the backrest (part H) onto seat (part E) using by screws (part I). Do not tighten screws until all screws holes are lined up. Once screws are lined up, tighten well.



Step 5: Attach the seat plate (part G) onto gas lift (part C) firmly. Ensure top of gas lift be inserted into the hole of seat plate firmly.



Care Instructions:

- Wipe clean with a damp cloth.
- Do not use bleach or detergent products.
- Protect from direct sunlights.
- Vacuum regularly.
- Check & tighten all parts regularly.

