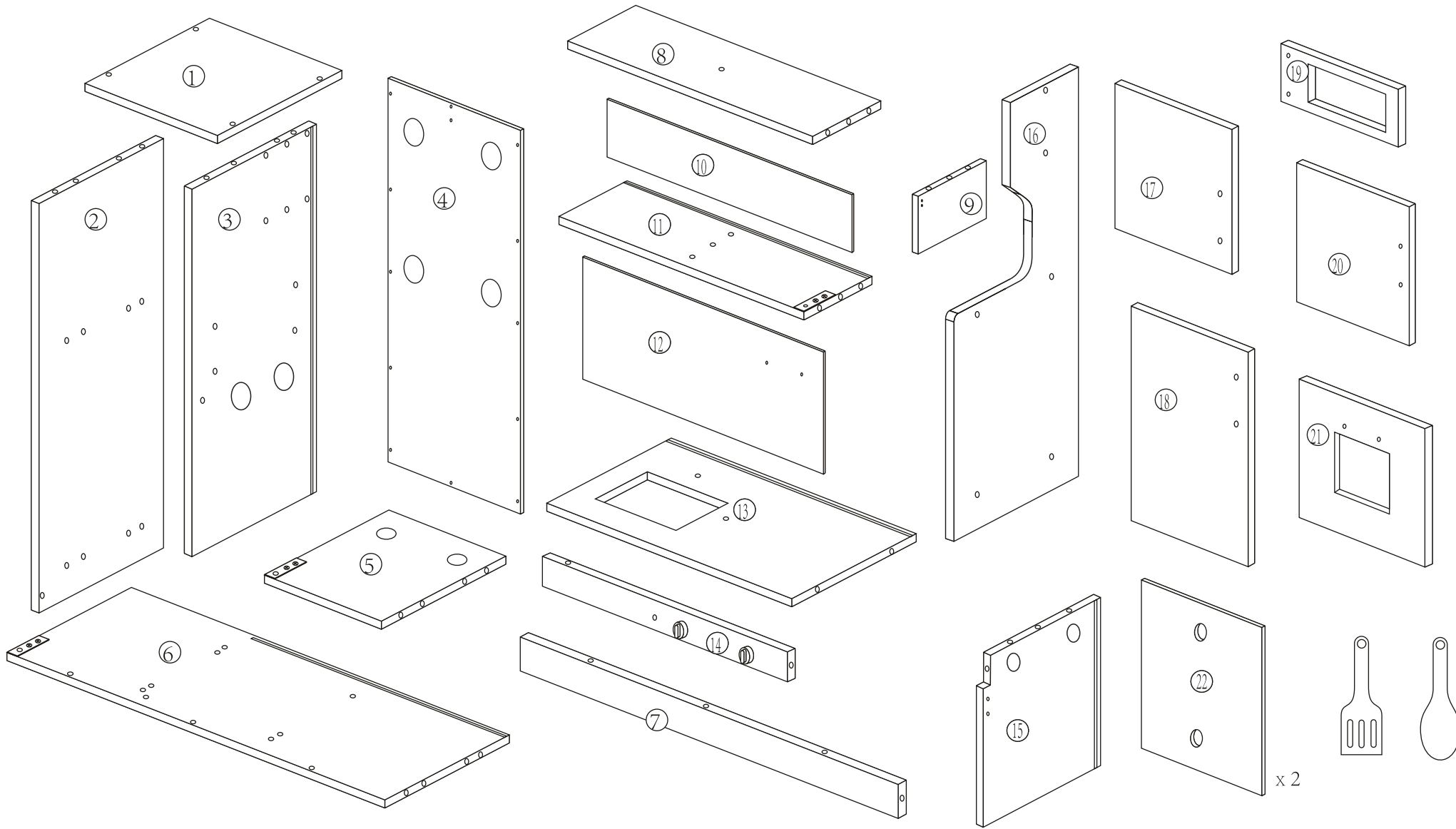


Assembly Instructions

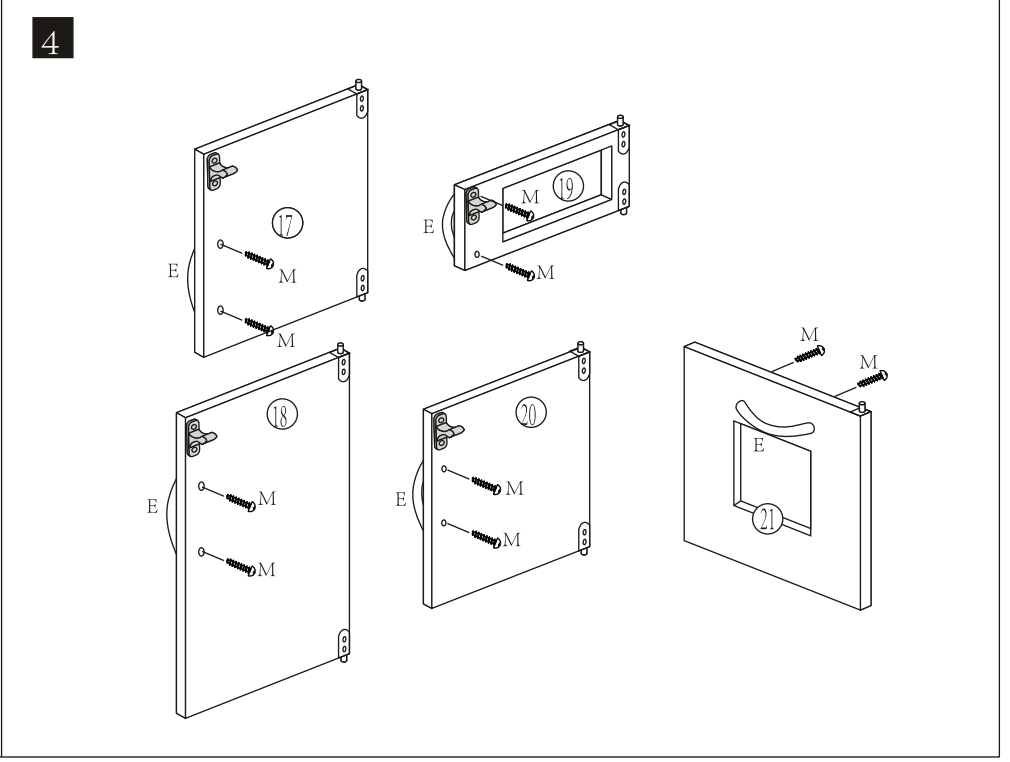
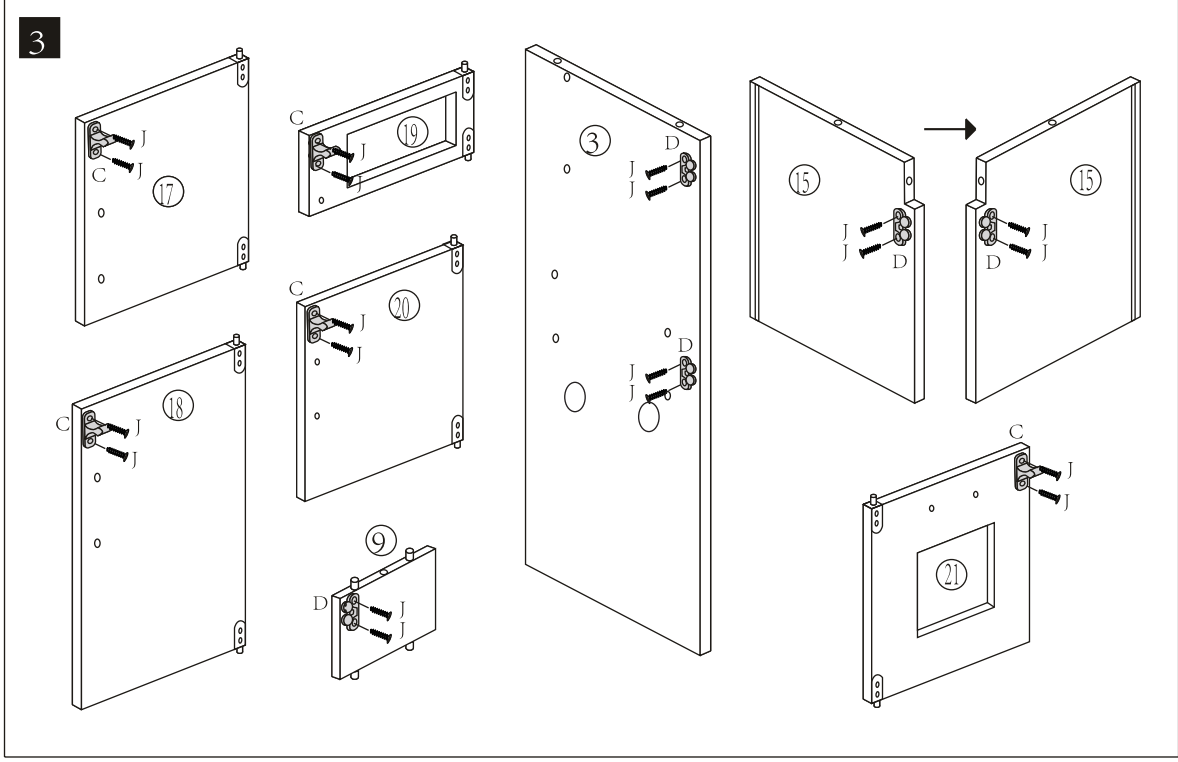
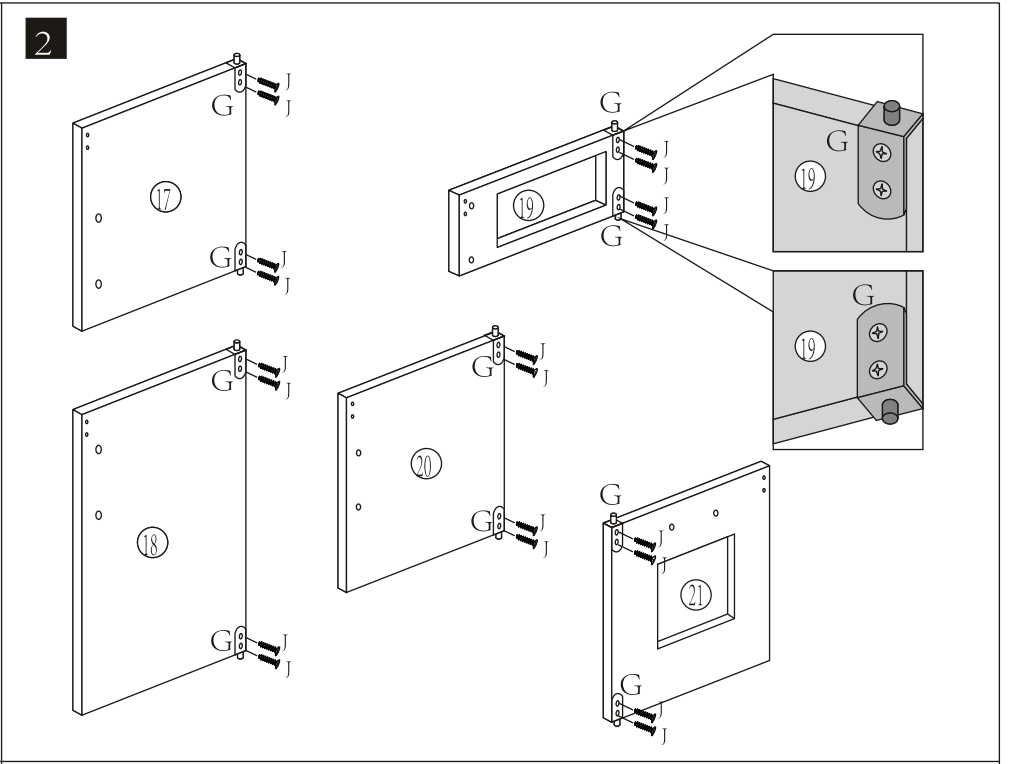
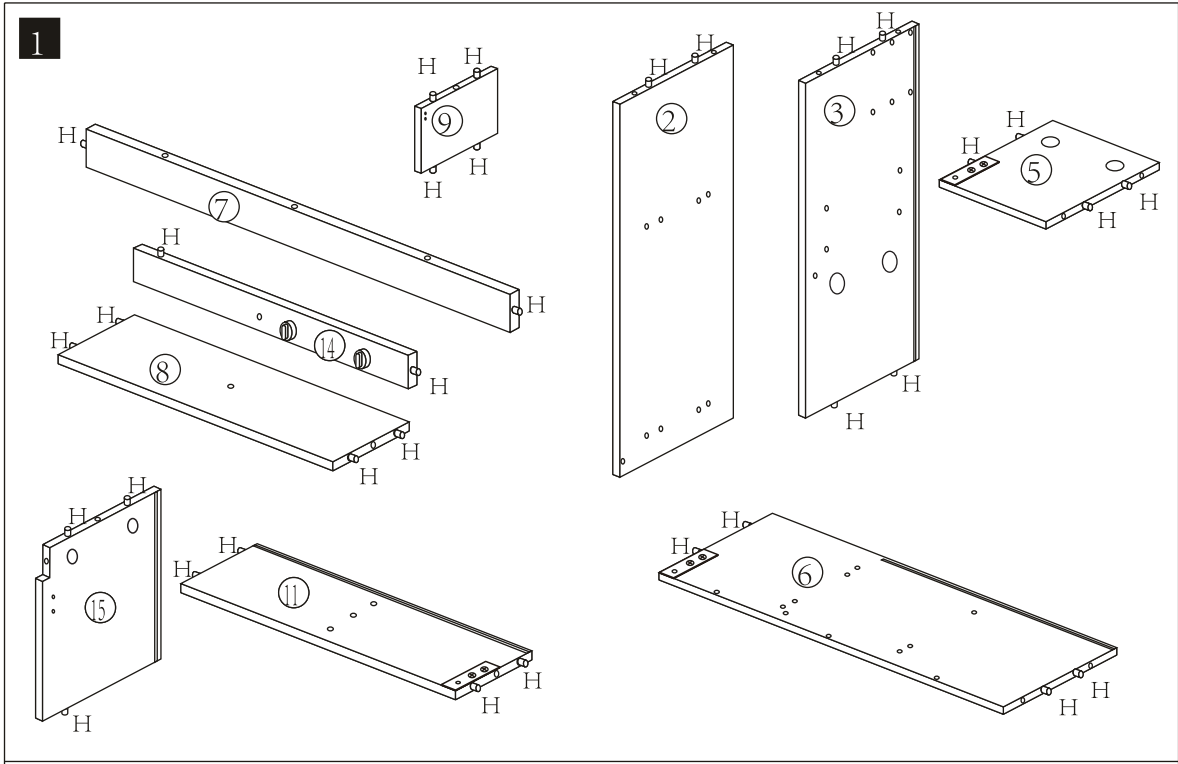


- | | | | | | | | | | | | | | | | | |
|-------|-------|-------|-------|-------|-------|--------|--------|--------|--------|--------|--------|-------|-------|-------|-------|-------|
| A x 1 | B x 1 | C x 5 | D x 5 | E x 5 | F x 2 | G x 10 | H x 33 | J x 40 | K x 14 | L x 32 | M x 10 | N x 1 | P x 1 | Q x 1 | R x 1 | S x 1 |
| | | | | | | | | | | | | | | | | |

CAUTION:
 ADULT ASSEMBLY IS REQUIRED. HARDWARE CONTAINS SCREWS WITH SHARP POINTS. KEEP UNASSEMBLED PARTS OUT OF THE REACH OF SMALL CHILDREN. ADULT SUPERVISION IS RECOMMENDED. FOR ROLE PLAY ONLY.

CAUTION:
 PLEASE CHECK CONDITION OF ITEM REGULARLY, AS SCREWS MAY LOOSEN WITH USE OVER TIME. TIGHTEN SCREW FITTINGS IF NECESSARY.

WARNING:
 CHOKING HAZARD—SMALL PARTS. NOT SUITABLE FOR CHILDREN UNDER 3 YEARS.

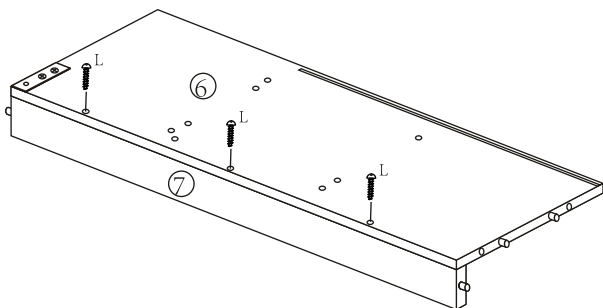


⚠ CAUTION:
 ADULT ASSEMBLY IS REQUIRED. HARDWARE CONTAINS SCREWS WITH SHARP POINTS. KEEP UNASSEMBLED PARTS OUT OF THE REACH OF SMALL CHILDREN. ADULT SUPERVISION IS RECOMMENDED. FOR ROLE PLAY ONLY.

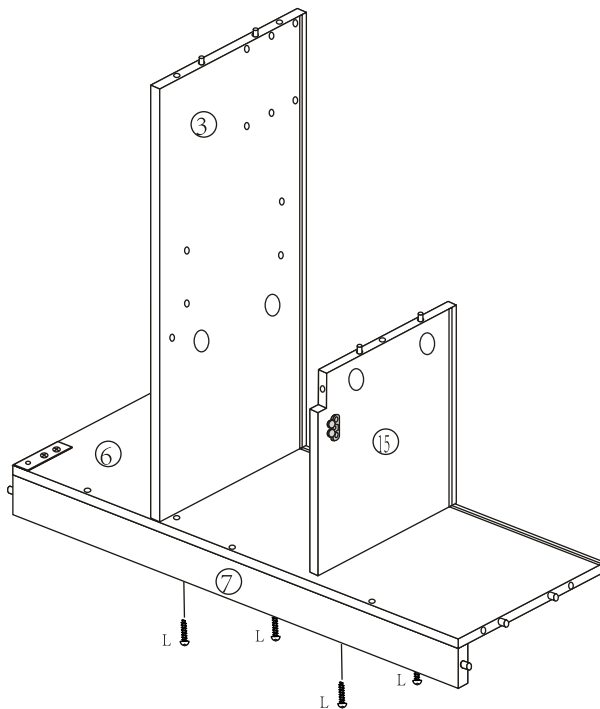
⚠ CAUTION:
 PLEASE CHECK CONDITION OF ITEM REGULARLY, AS SCREWS MAY LOOSEN WITH USE OVER TIME. TIGHTEN SCREW FITTINGS IF NECESSARY.

⚠ WARNING:
 CHOKING HAZARD—SMALL PARTS. NOT SUITABLE FOR CHILDREN UNDER 3 YEARS.

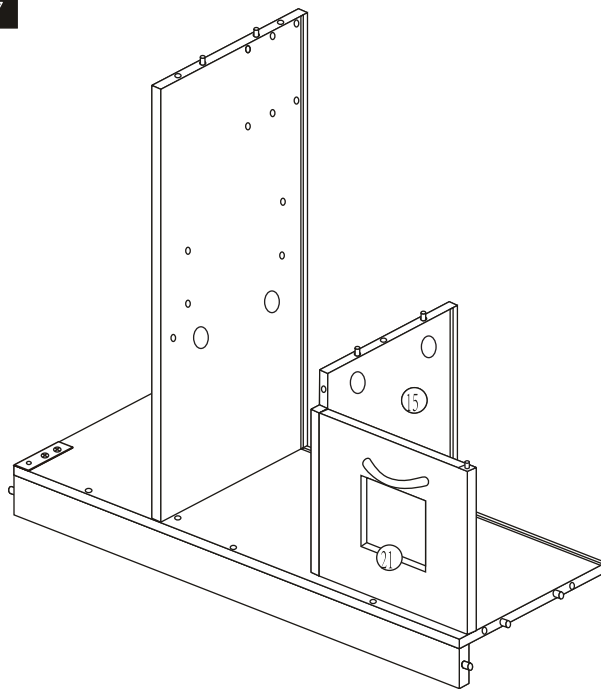
5



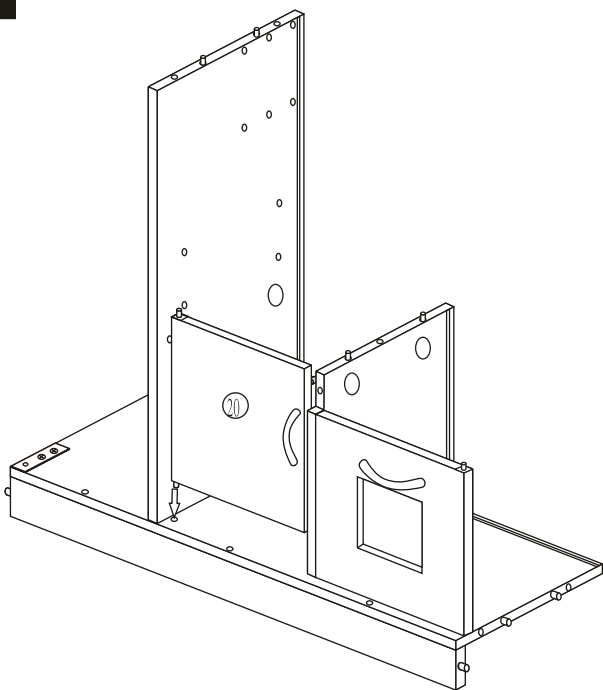
6



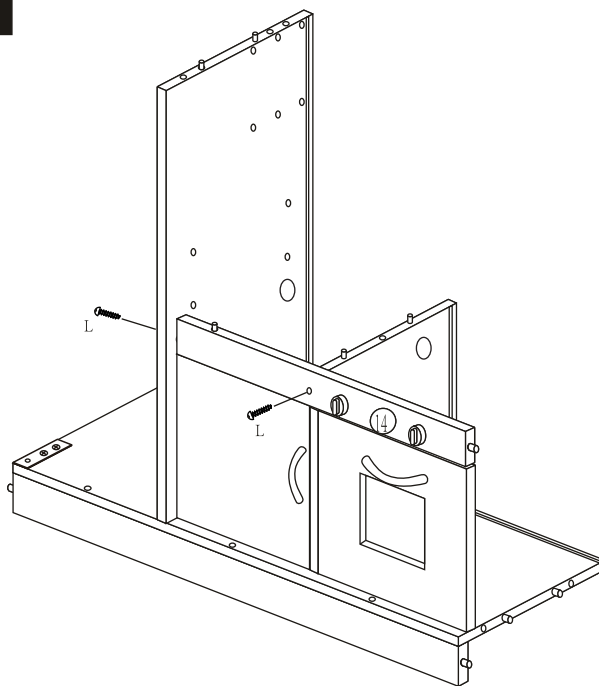
7



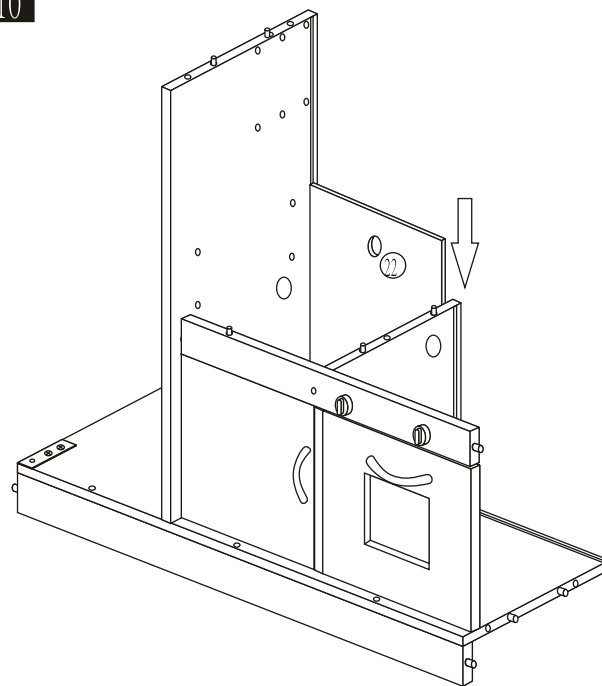
8



9



10



CAUTION:

ADULT ASSEMBLY IS REQUIRED. HARDWARE CONTAINS SCREWS WITH SHARP POINTS. KEEP UNASSEMBLED PARTS OUT OF THE REACH OF SMALL CHILDREN. ADULT SUPERVISION IS RECOMMENDED. FOR ROLE PLAY ONLY.



CAUTION:

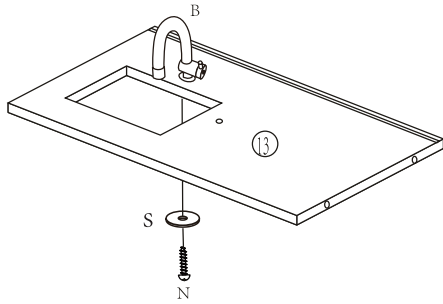
PLEASE CHECK CONDITION OF ITEM REGULARLY, AS SCREWS MAY LOOSEN WITH USE OVER TIME. TIGHTEN SCREW FITTINGS IF NECESSARY.



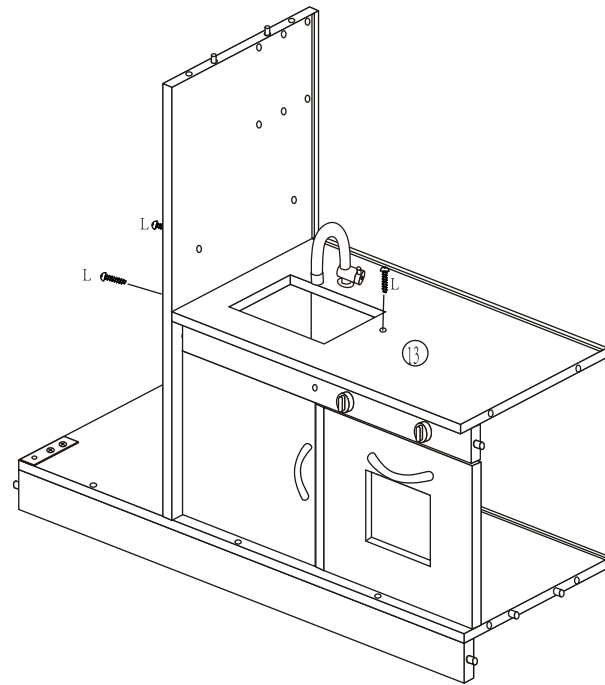
WARNING:

CHOKING HAZARD—SMALL PARTS. NOT SUITABLE FOR CHILDREN UNDER 3 YEARS.

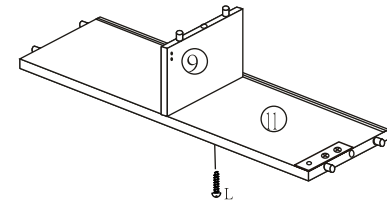
11



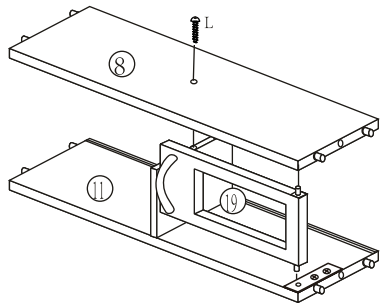
12



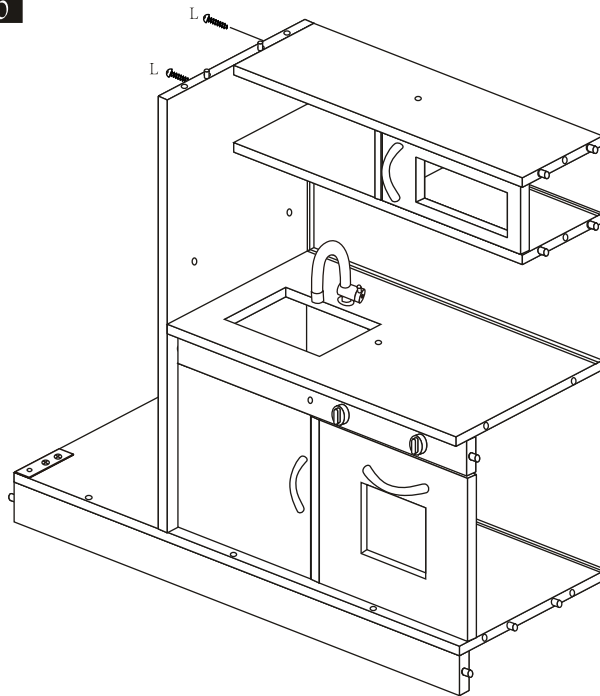
13



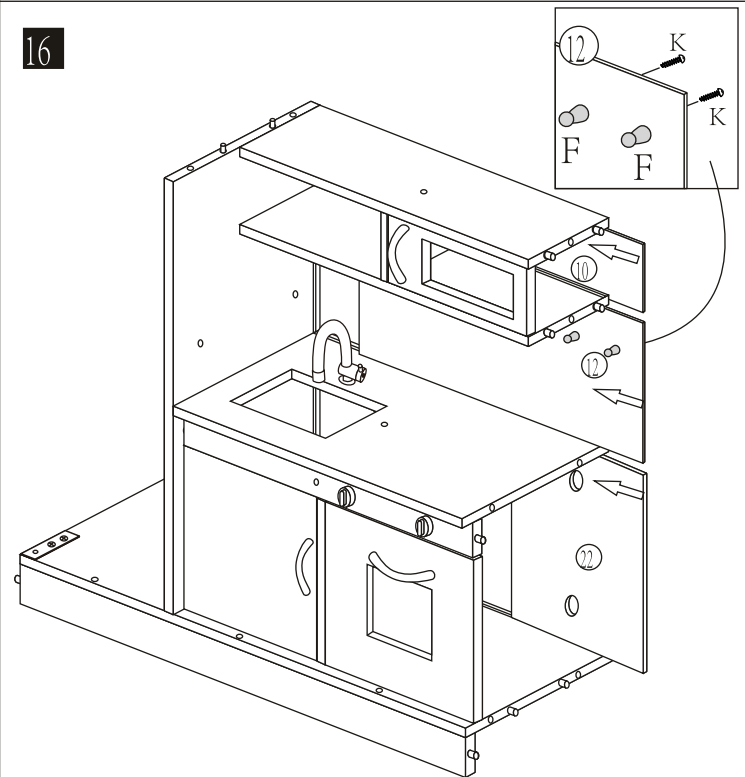
14



15



16



CAUTION:

ADULT ASSEMBLY IS REQUIRED. HARDWARE CONTAINS SCREWS WITH SHARP POINTS. KEEP UNASSEMBLED PARTS OUT OF THE REACH OF SMALL CHILDREN. ADULT SUPERVISION IS RECOMMENDED. FOR ROLE PLAY ONLY.



CAUTION:

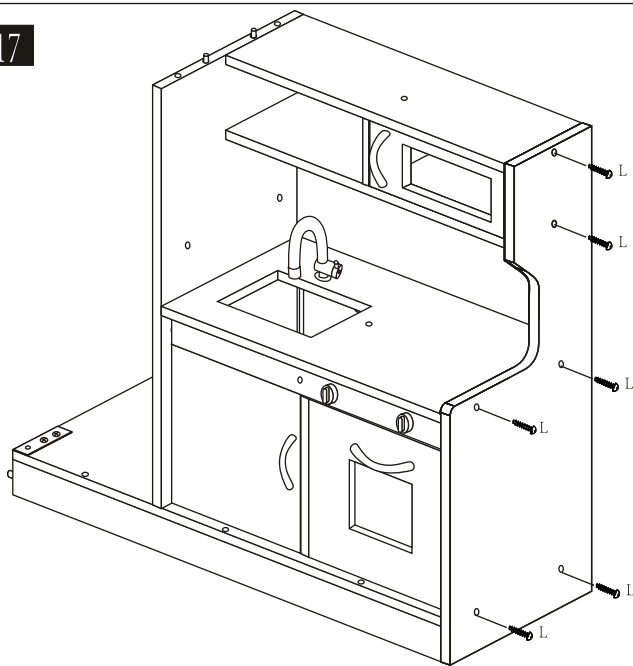
PLEASE CHECK CONDITION OF ITEM REGULARLY, AS SCREWS MAY LOOSEN WITH USE OVER TIME. TIGHTEN SCREW FITTINGS IF NECESSARY.



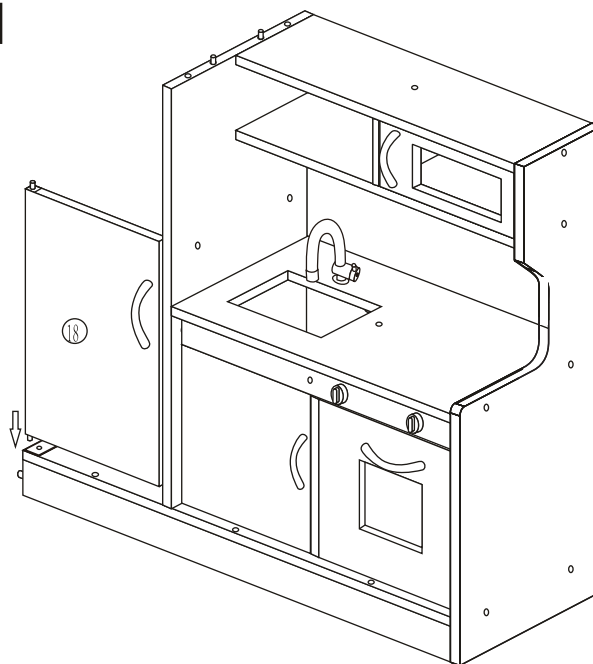
WARNING:

CHOKING HAZARD—SMALL PARTS. NOT SUITABLE FOR CHILDREN UNDER 3 YEARS.

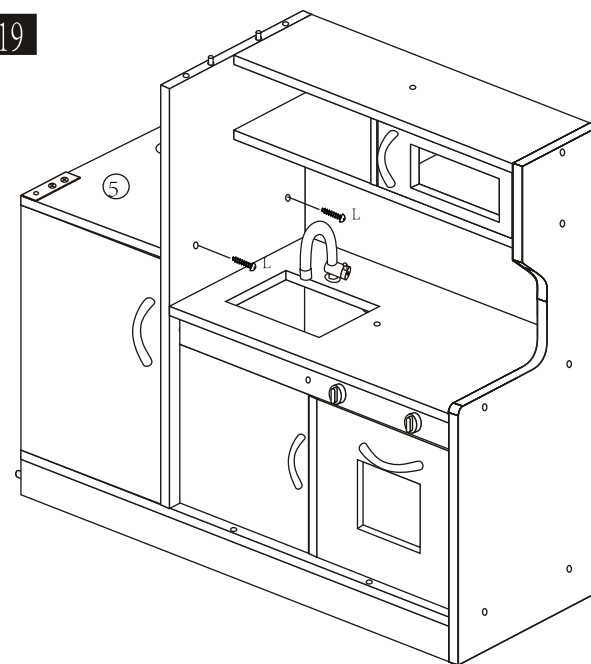
17



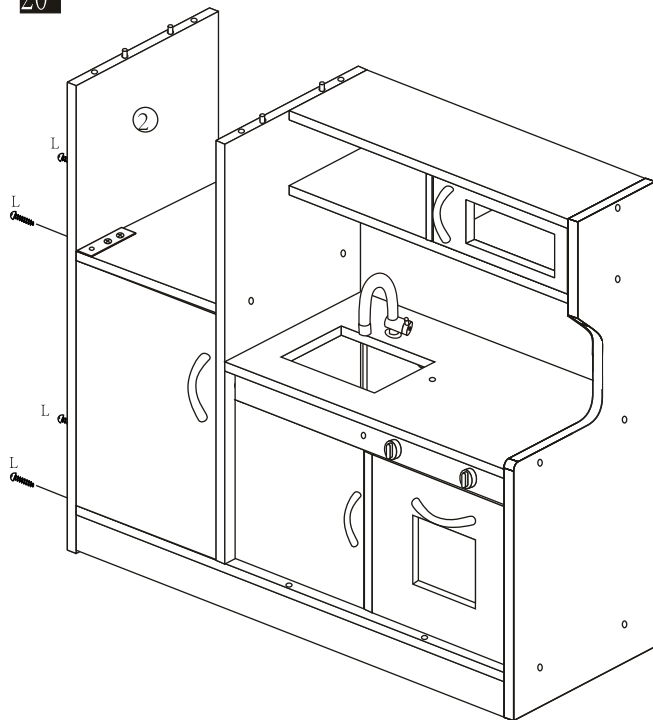
18



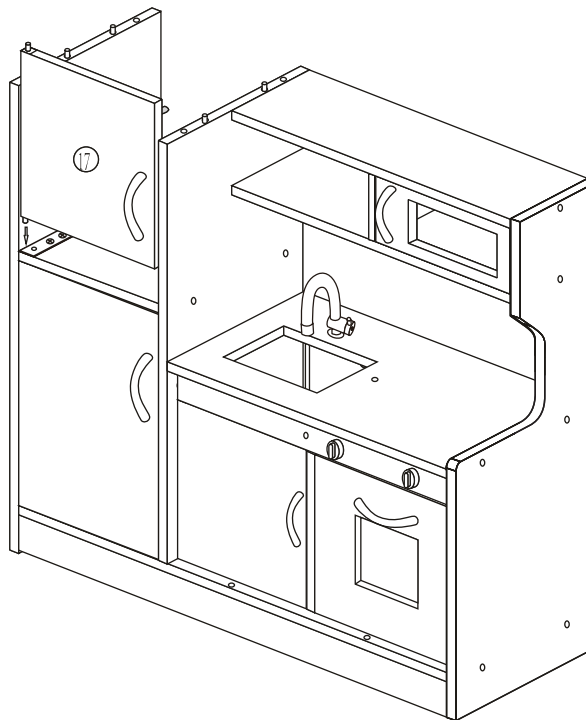
19



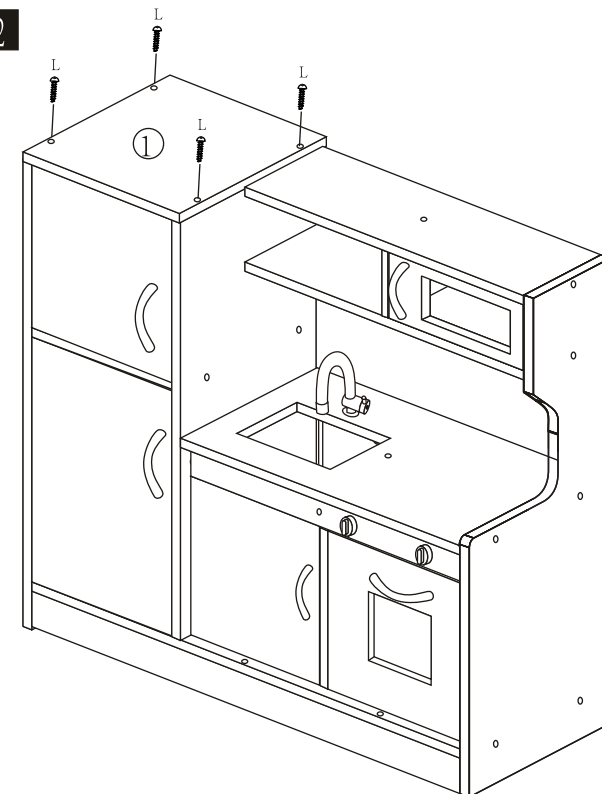
20



21



22

**CAUTION:**

ADULT ASSEMBLY IS REQUIRED. HARDWARE CONTAINS SCREWS WITH SHARP POINTS. KEEP UNASSEMBLED PARTS OUT OF THE REACH OF SMALL CHILDREN. ADULT SUPERVISION IS RECOMMENDED. FOR ROLE PLAY ONLY.

**CAUTION:**

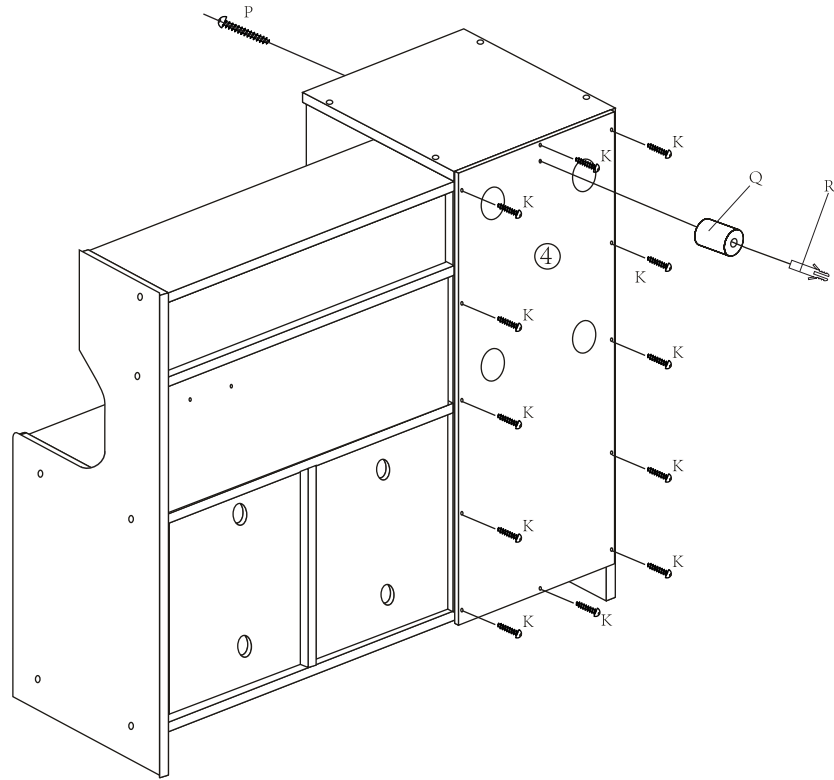
PLEASE CHECK CONDITION OF ITEM REGULARLY, AS SCREWS MAY LOOSEN WITH USE OVER TIME. TIGHTEN SCREW FITTINGS IF NECESSARY.

**WARNING:**

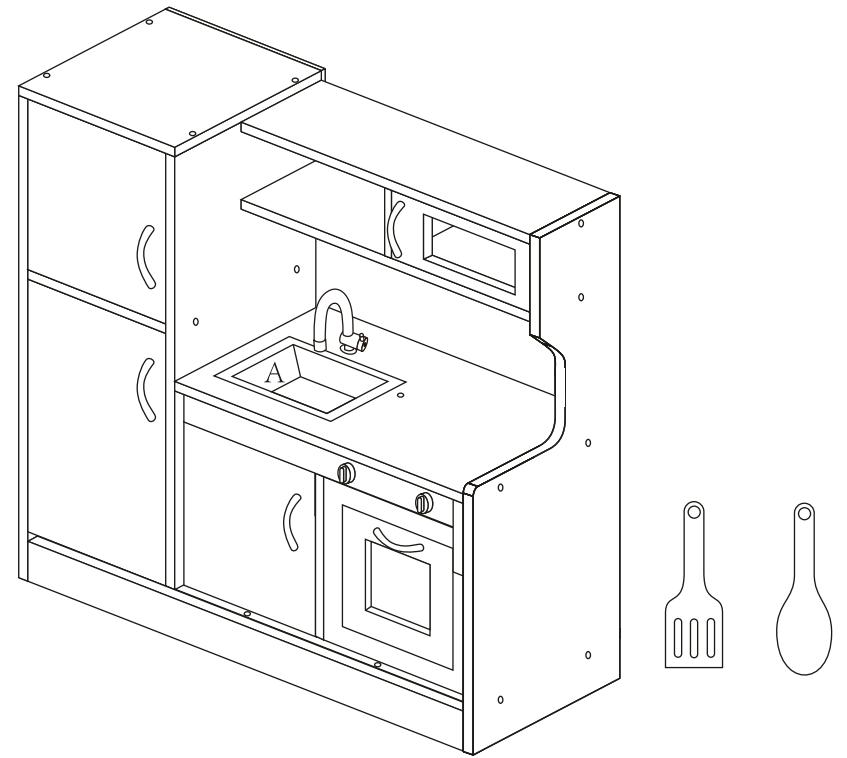
CHOKING HAZARD—SMALL PARTS.
NOT SUITABLE FOR CHILDREN UNDER 3 YEARS.

23

For safe use of this kitchen we recommend that you secure it to the wall with the wall screw included. Drill a hole for the wall anchor the same size so that it sits in the hole snugly. Screw part P pass through part ④ and Q into part R wall anchor.



24



CAUTION:
ADULT ASSEMBLY IS REQUIRED. HARDWARE CONTAINS SCREWS WITH SHARP POINTS. KEEP UNASSEMBLED PARTS OUT OF THE REACH OF SMALL CHILDREN. ADULT SUPERVISION IS RECOMMENDED. FOR ROLE PLAY ONLY.

CAUTION:
PLEASE CHECK CONDITION OF ITEM REGULARLY, AS SCREWS MAY LOOSEN WITH USE OVER TIME. TIGHTEN SCREW FITTINGS IF NECESSARY.

WARNING:
CHOKING HAZARD—SMALL PARTS.
NOT SUITABLE FOR CHILDREN UNDER 3 YEARS.