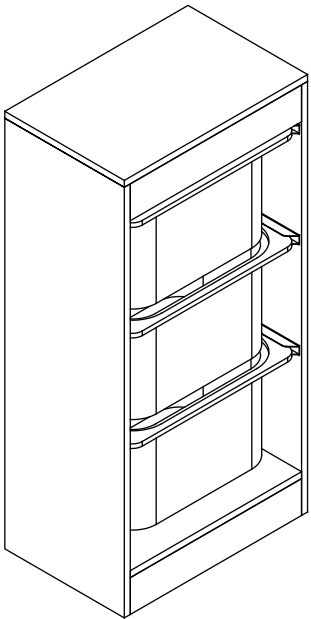
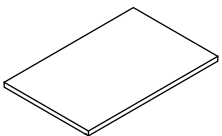
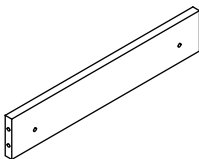
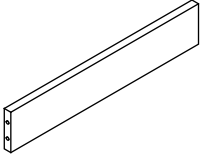
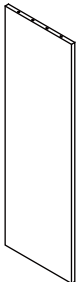
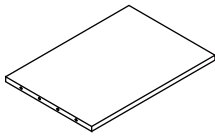
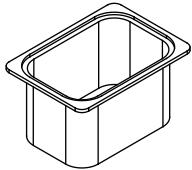
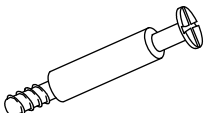



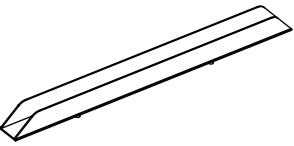
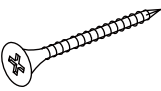
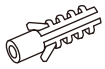
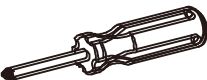
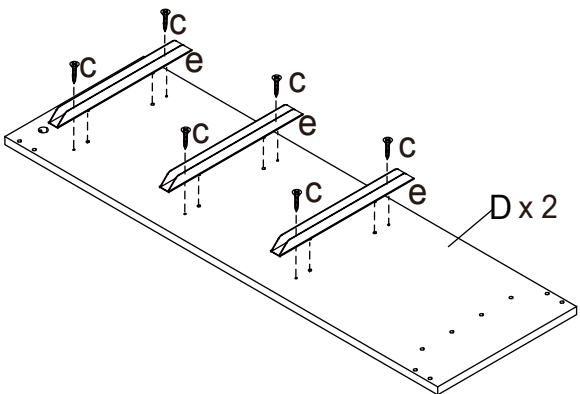
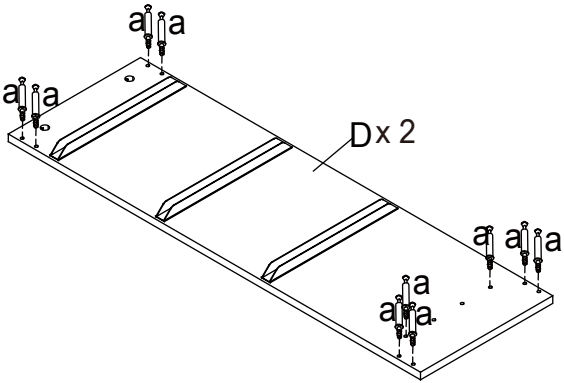
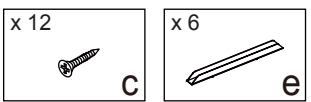
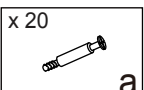


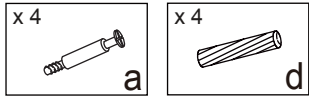
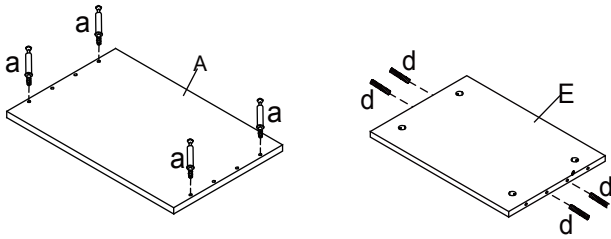
Assembly Instructions

TOOLS REQUIRED: PHILLIPS HEAD SCREWDRIVER

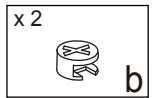
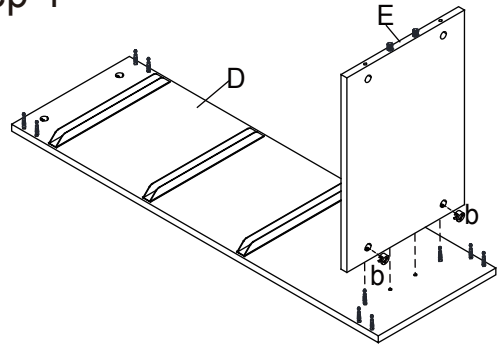
Do not use this unit unless all bolts and screws are firmly secured. Do not knock or drag this unit. Use only on a flat surface. Adult assembly required. Failure to follow these warnings could result in serious injury. This package contains small parts and sharp points, keep away from children and babies. 5kgs for per tub and top panel, total maximum loading 20kgs.

	A x 1	B x 1	C x 3
			
	D x 2	E x 1	F x 3
			
a x 24	b x 24	c x 12	d x 8
			
e x 6	f x 2	g x 2	Not included
			
step 1	step 2		
			
			

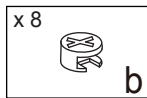
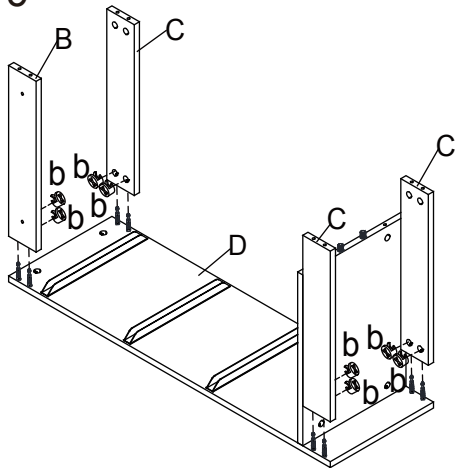
step 3



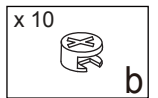
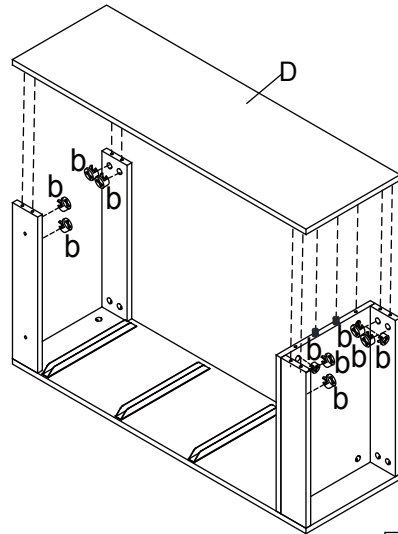
step 4



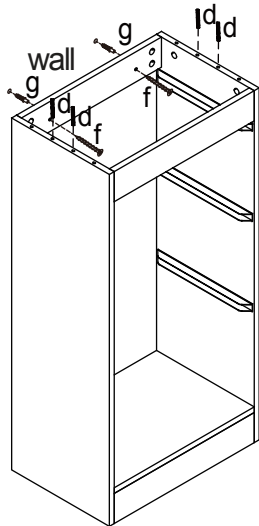
step 5



step 6

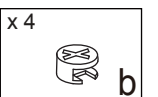
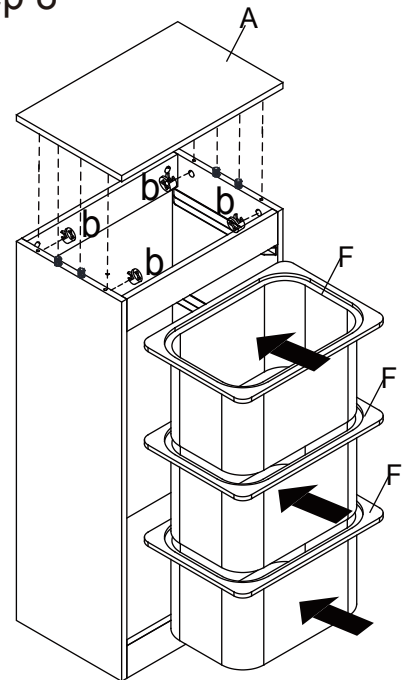


step 7



USER INSTRUCTION FOR WALL FIXINGS:
 It is strongly recommended that this product is permanently fixed to the wall.
 Please seek professional advice if you are in doubt of what fixing device to use.
 Regularly check that anchors are securely maintained.
 Caution: for your safety when attaching the anchor fixings, please note the following:
 Check any electrical wires or plumbing inside the wall before drilling any holes
 (if you are unsure please seek professional advice from a qualified tradesperson)

step 8



PLEASE SECURE YOUR FURNITURE WITH THE SUPPLIED WALL FIXING. SCAN THE CODE FOR MORE INFORMATION.

