






# Assembly Instructions








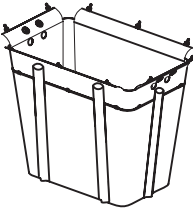
## 42977667 JUMBO LAUNDRY TROLLEY

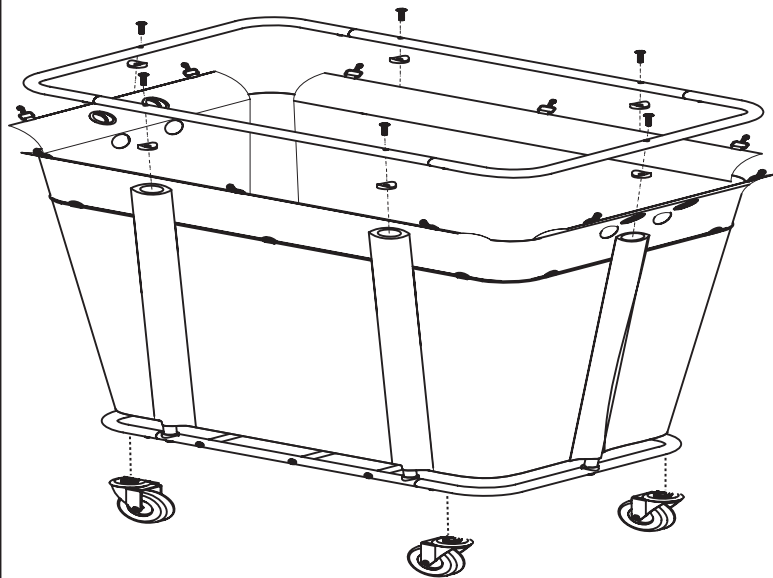
**MAXIMUM SAFE LOAD: 25KG.**

**CARE INSTRUCTIONS: SPOT CLEAN ONLY.**

### Hardware list

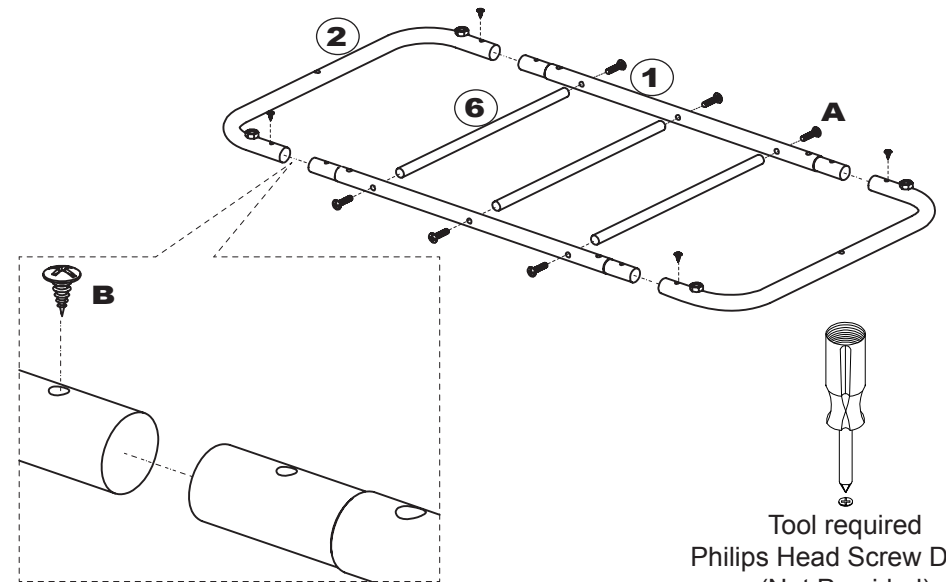
	A	Screw	18PCS
	B	Screw	8PCS
	C	Wheels	4PCS
	D	Gasket	12PCS
	E	Spanner	1PC

			
①	②	③	④
2PCS	2PCS	2PCS	2PCS
			
⑤	⑥	⑦	⑧
6PCS	3PCS	2PCS	1PC



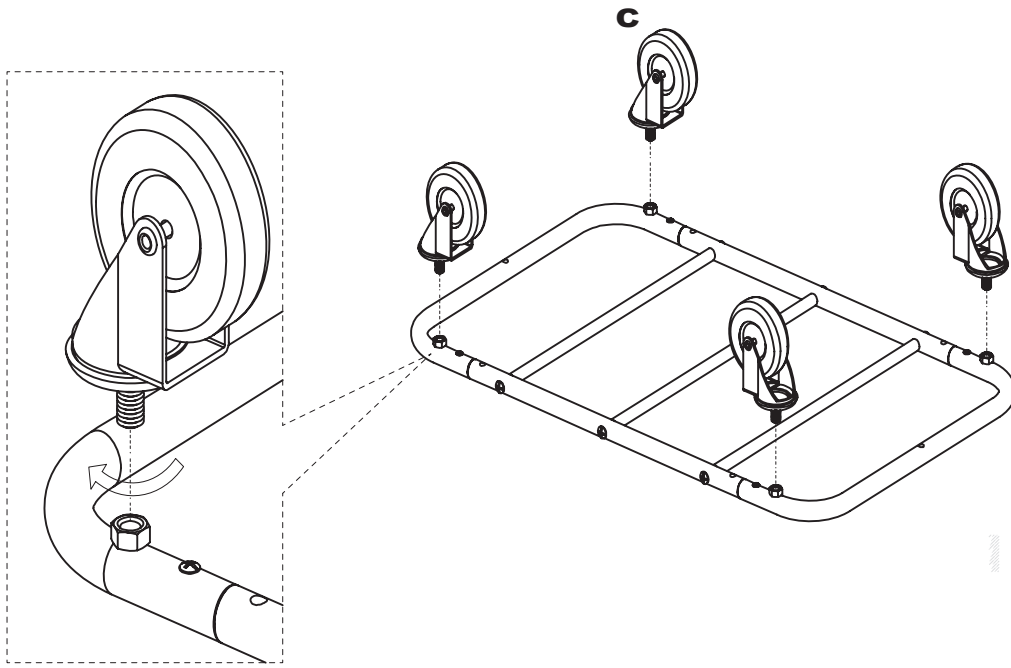
**DO NOT TIGHTEN THE SCREWS UNTIL THE PRODUCT IS FULLY ASSEMBLED. FOR INDOOR USE ONLY.**

### STEP 1

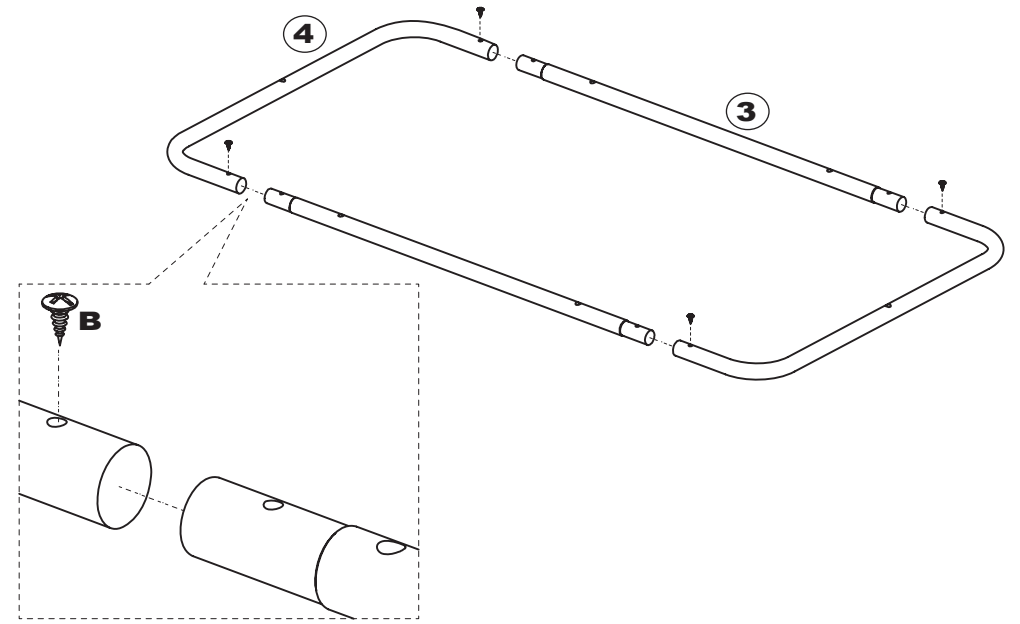


Tool required  
Philips Head Screw Driver  
(Not Provided)

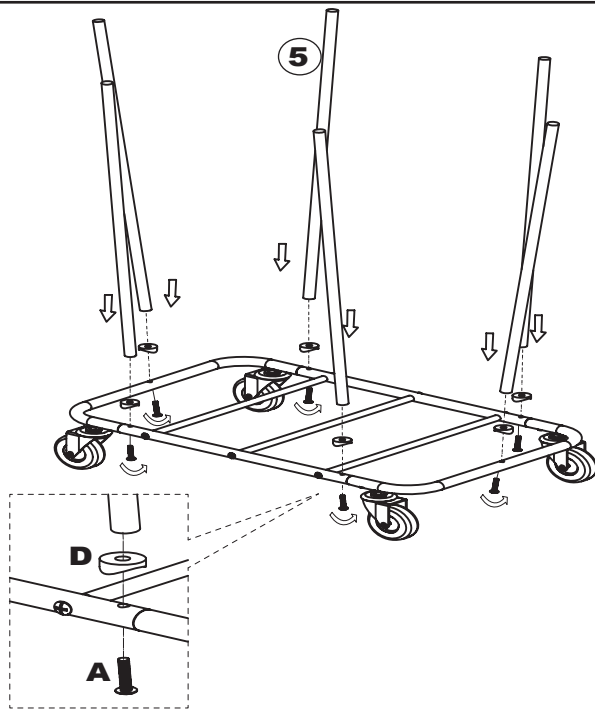
## STEP 2



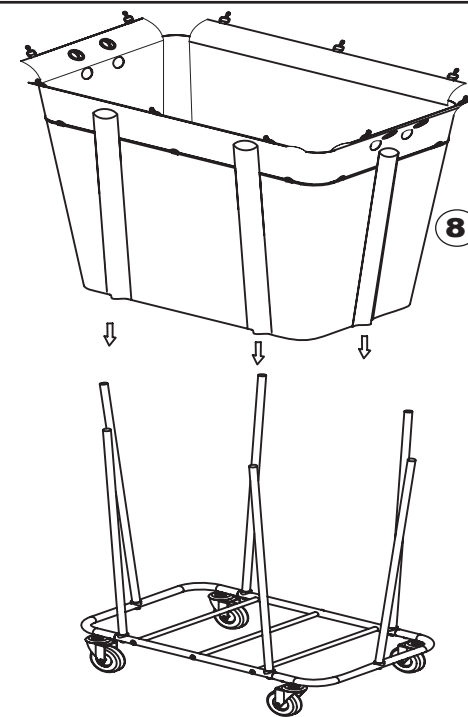
## STEP 3



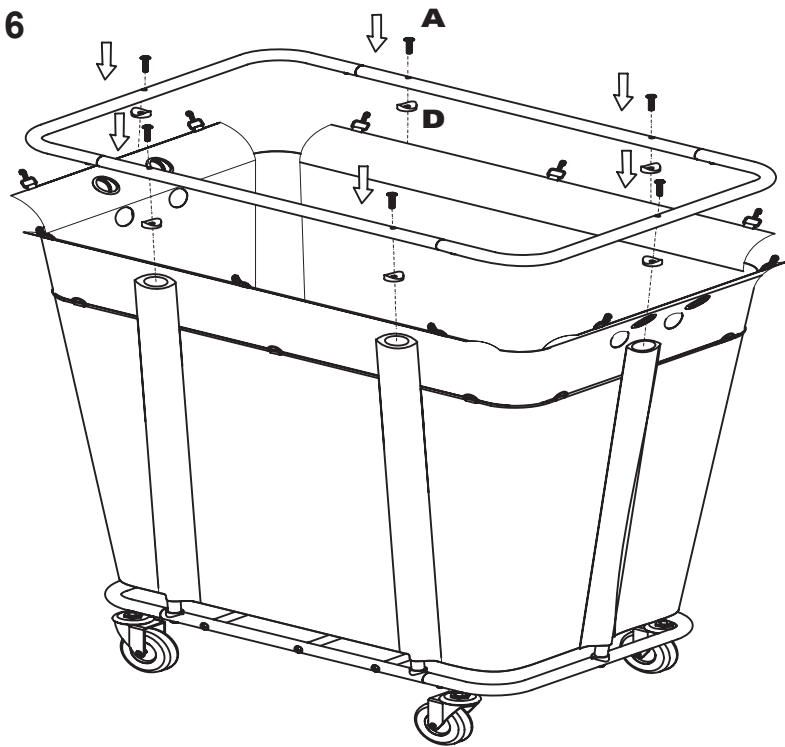
## STEP 4



## STEP 5



# STEP 6



# STEP 7

