

# 3D & Night Vision Goggles

8+  
years

## A QUICK LOOK AT YOUR DEVEICE

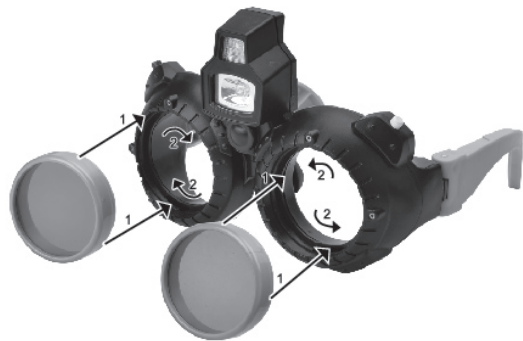
- |                     |                        |
|---------------------|------------------------|
| 1. Red Lens         | 6. Green LED Switch    |
| 2. Blue Lens        | 7. White LED Switch    |
| 3. 2 x Green Lenses | 8. 6 x 3D Photos       |
| 4. White LED        | 9. Battery Compartment |
| 5. Green LED        |                        |



## VIEWING MODE

### 3D VIEWING

1. Install the RED lens on the left eye position and the BLUE lens on the right eye position.
2. When installing the lens, align the two marks on the lens with the slot on the frame, insert the lens into the frame, and then twist the lens to lock it in place. Remove the lens by reversing the steps above.
3. 3D viewing is only applicable to photos and videos in red/blue emboss format, such as the supplied photos.
4. 3D photos must be viewed in an upright direction to obtain a proper 3D effect.



### NORMAL VIEWING

Remove the RED/BLUE lens by twisting the lens and raising the lens ring, then install the green lens on both sides (refer to step 2 above).

## LED LIGHT

1. Press the white LED button/green LED button to turn on the white /green LED lights. White and green LED lights can be turned on at the same time
2. Use the green LED light for high contrast vision and white LED light for general tasks.

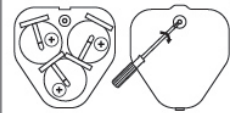
Note: Please always remember to turn off the LED lights whenever you stop using your goggles. Please always avoid viewing the LED lights directly.

**WARNING:** BATTERIES ARE TO BE INSERTED WITH THE CORRECT POLARITY (+ AND -). DO NOT MIX DIFFERENT TYPES OF BATTERIES OR NEW AND USED BATTERIES. NON-RECHARGEABLE BATTERIES ARE NOT TO BE RECHARGED. RECHARGEABLE BATTERIES ARE ONLY TO BE CHARGED UNDER ADULT SUPERVISION. RECHARGEABLE BATTERIES ARE TO BE REMOVED FROM THE TOY BEFORE BEING CHARGED. THE SUPPLY TERMINALS ARE NOT TO BE SHORT-CIRCUITED. REMOVE BATTERIES FROM THE TOY WHEN NOT IN USE FOR EXTENDED TIME OR WHEN BATTERIES BECOME EXHAUSTED. BATTERY INSTALLATION BY AN ADULT IS REQUIRED. DISPOSE OF BATTERIES RESPONSIBLY. DO NOT DISPOSE OF IN FIRE.

**WARNING:** FOR SAFETY REASONS, REMOVE ALL TAGS, LABELS AND PLASTIC FASTENERS BEFORE GIVING THIS TOY TO YOUR CHILD.

**CAUTION:** DO NOT VIEW THE SUN DIRECTLY WITH GOGGLES AS IT CAN CAUSE SERIOUS EYE DAMAGE. DO NOT POINT GOGGLES AT OR NEAR THE SUN. DO NOT LOOK THROUGH THE GOGGLES WHILE YOU ARE MOVING. ADULT SUPERVISION IS RECOMMENDED.

REQUIRES 3 X 1.5V LR44 BATTERIES (INCLUDED)



MADE IN CHINA

KEYCODE: 42977735

FOR AU / NZ: IMPORTED FOR KMART STORES IN AUSTRALIA AND NEW ZEALAND. PRODUCT MAY VARY FROM IMAGE SHOWN. PLEASE KEEP THE PACKAGING FOR FUTURE REFERENCE.

**WARNING:** THIS IS A TOY. DOES NOT PROVIDE PROTECTION.

**WARNING:** CHOKING HAZARD—SMALL PARTS. NOT SUITABLE FOR CHILDREN UNDER 3 YRS.



**WARNING:** BUTTON CELL BATTERIES CAN CAUSE SERIOUS INJURY OR DEATH IF SWALLOWED. DISPOSE OF SAFELY! STORE BATTERIES OUT OF REACH OF CHILDREN! VISIT THEBATTERYCONTROLLED.COM.AU

**WARNING:** DISPOSE OF USED BATTERIES IMMEDIATELY. KEEP NEW AND USED BATTERIES AWAY FROM CHILDREN. IF YOU THINK BATTERIES MIGHT HAVE BEEN SWALLOWED OR PLACED INSIDE ANY PART OF THE BODY, SEEK IMMEDIATE MEDICAL ATTENTION.