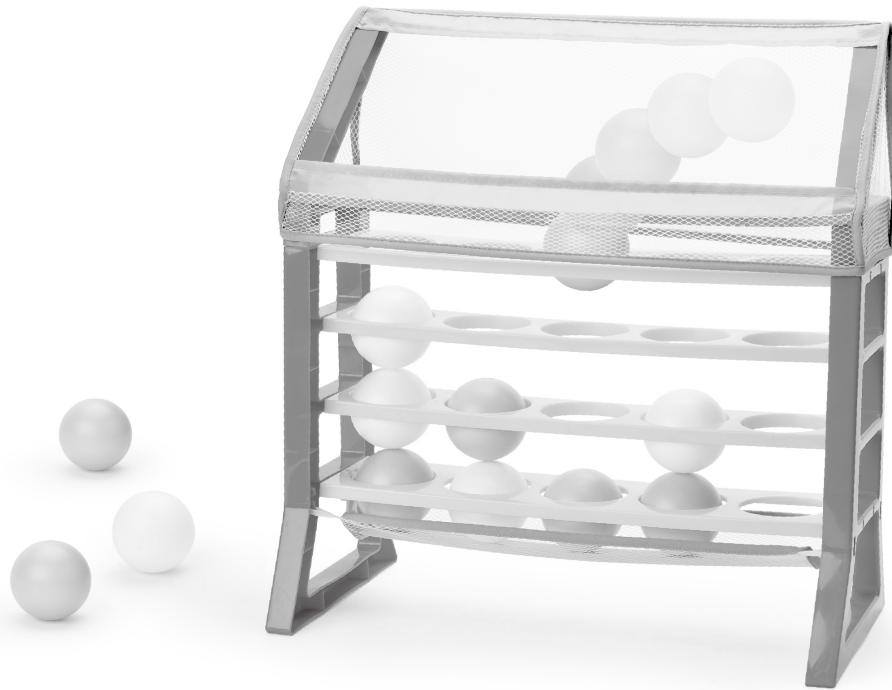







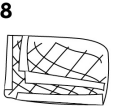

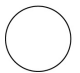



Ball Toss Play Set

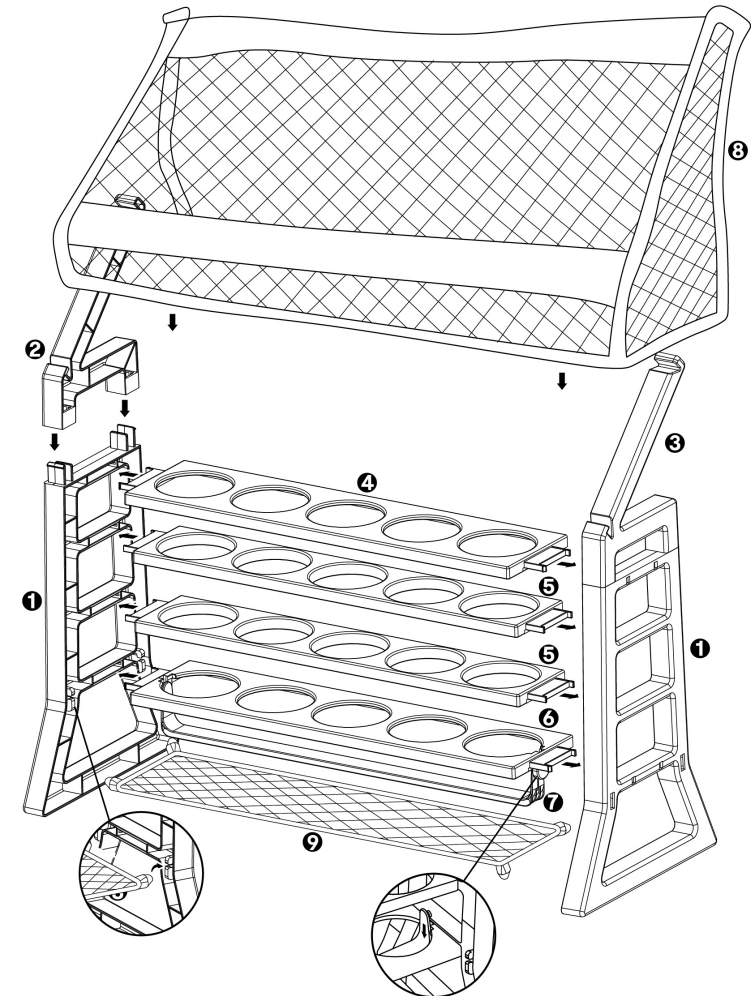
3+
years



- Assembled size: 45.7cm(H) x 43.5cm(W) x 21.5cm (D)
1.5ft(H) x 1.4ft(W) x 0.7ft(D)

1  x 2	2  x 1	3  x 1	4  x 1	5  x 2	6  x 1
7  x 1	8  x 1	9  x 1	10  x 20	11  x 2	

Assembly Instructions



How To Play The Game

Gameplay 1: You can play the game one to one or as a team. Each person or team chooses one colour ball, toss the balls in turns to land them in the holes. The first to line up 3 balls of the same colour in a row will win the game.

Gameplay 2: Both sides toss balls into the holes at the same time, the player who is first to line up 3 balls in a row will win the game.

Note: Rotate the bottom lever (component 7) to release all the balls after finishing the game, then you can start again.

ADULT ASSEMBLY AND SUPERVISION REQUIRED.
PLEASE KEEP THE PACKAGING FOR FUTURE REFERENCE.
PRODUCT MAY VARY SLIGHTLY FROM IMAGE SHOWN.

WARNING: FOR SAFETY REASONS, REMOVE ALL TAGS, LABELS AND PLASTIC FASTENERS BEFORE GIVING THIS TOY TO YOUR CHILD.

WARNING: CHOKING HAZARD - SMALL PARTS. NOT FOR CHILDREN UNDER 3 YRS.

Keycode: 42978312
MADE IN CHINA
FOR AU / NZ: IMPORTED FOR KMART STORES IN AUSTRALIA AND NEW ZEALAND.