

Assembly Instructions

42979555 TIMBER PLANT STAND

Care instructions:

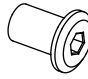
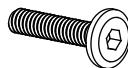

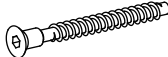

Be sure you have all parts before you start assembling. When cleaning the surface, use a soft damp cloth or dry clean cloth. Keep away from water and direct sunlight.

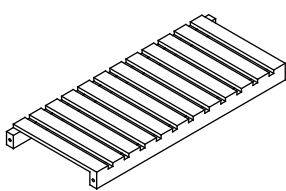
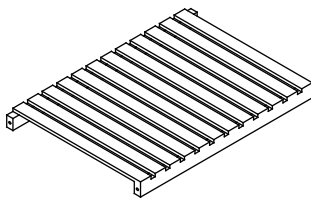
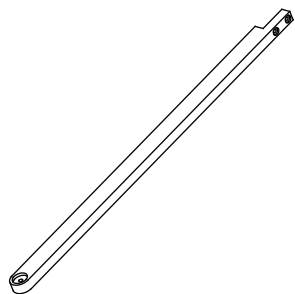
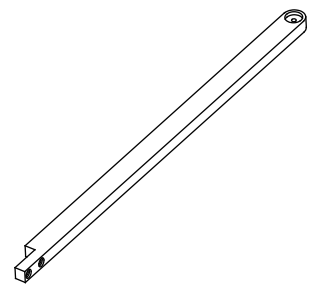
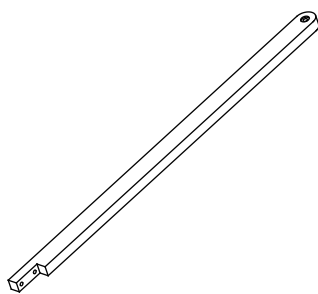
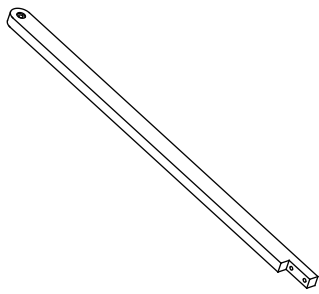
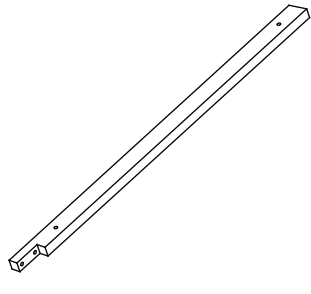
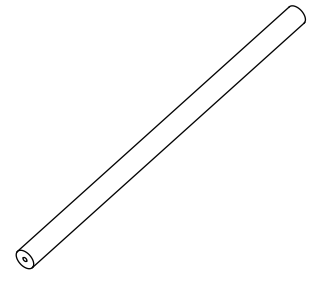
Warning:

Do not use as a step ladder. Do not stand or sit on the product. Do not lean on the product. Do not drag the product. Use only on a flat surface. Do not use until all screws, bolts and knobs are firmly secured. This product contains small parts and sharp points, keep away from children and babies. Adult assembly required. Failure to follow these warnings could result in serious injury.

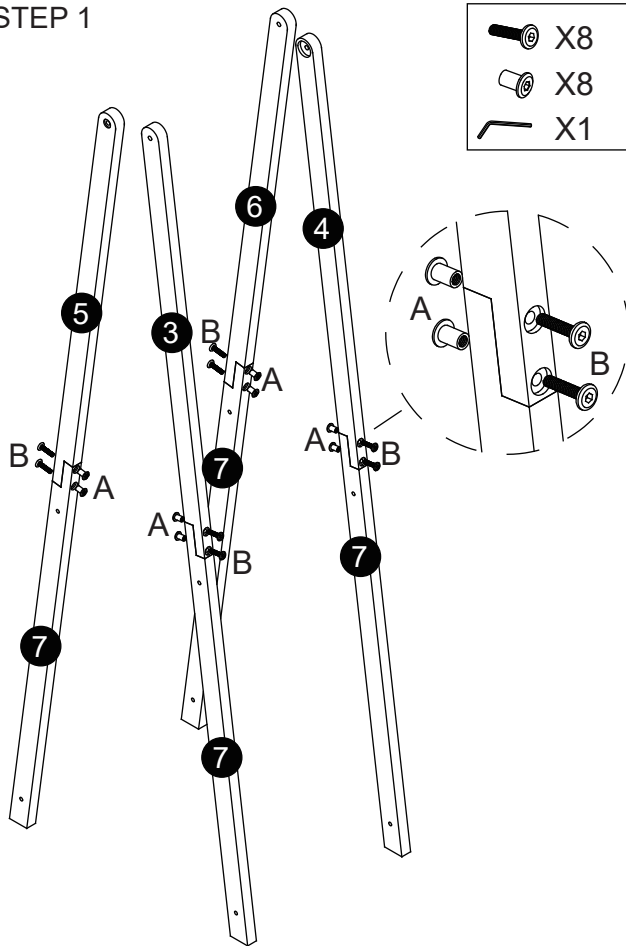
Maximum loading weight for each shelf:10kg

Hardware list

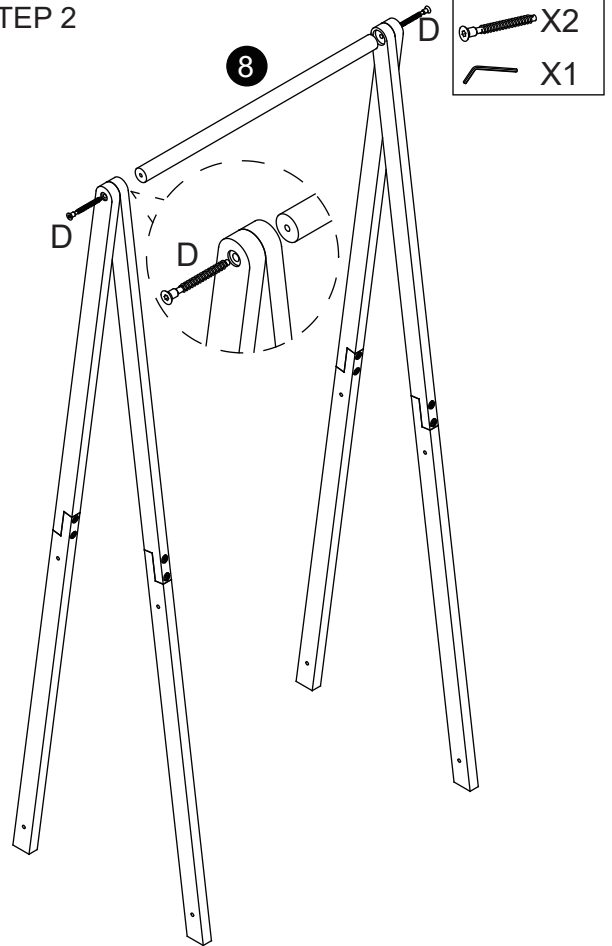
	A	M6X15mm	8 PCS
	B	M6X25mm	8 PCS
	C	M7X50mm	8 PCS
	D	M7X70mm	2 PCS
	E	M4mm	1 PC

			
1	1 PC	2	1 PC
			
5	1 PC	6	1 PCS
7	4 PCS	8	1 PC

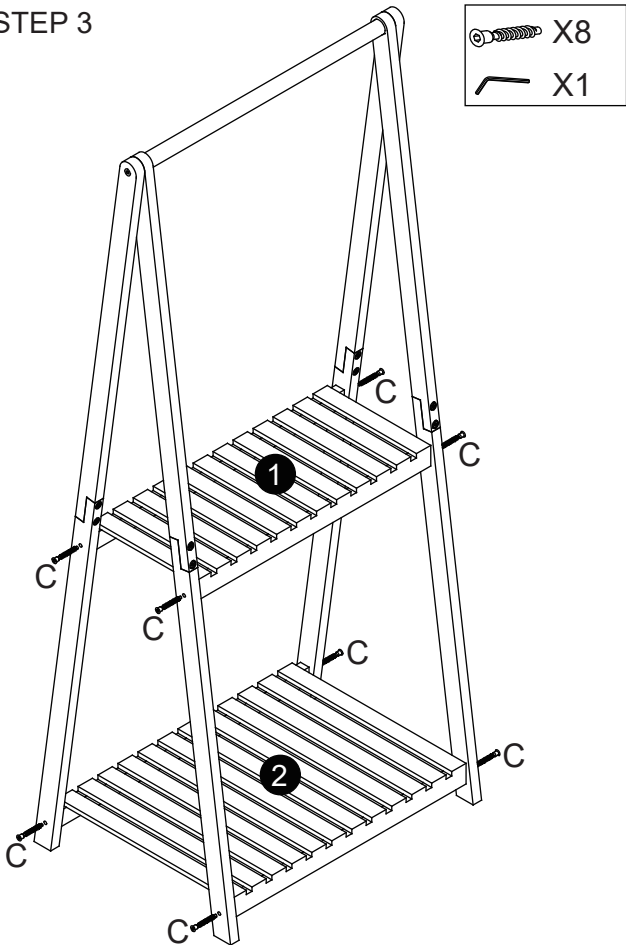
STEP 1



STEP 2



STEP 3



STEP 4

