

Assembly Instructions

42981046 2 door wardrobe

CARE INSTRUCTIONS:

Keep away from water and direct sunlight. For indoor and domestic use. Wipe clean with a soft dry cloth. Check and tighten all parts regularly.













WARNING:







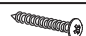



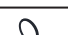

Do not stand or sit on the unit. Do not lean on the product. Do not drag the product. Use only on a flat surface. Do not use until all screws, bolts and knobs are firmly secured. Load the drawer evenly to prevent it from tipping over.

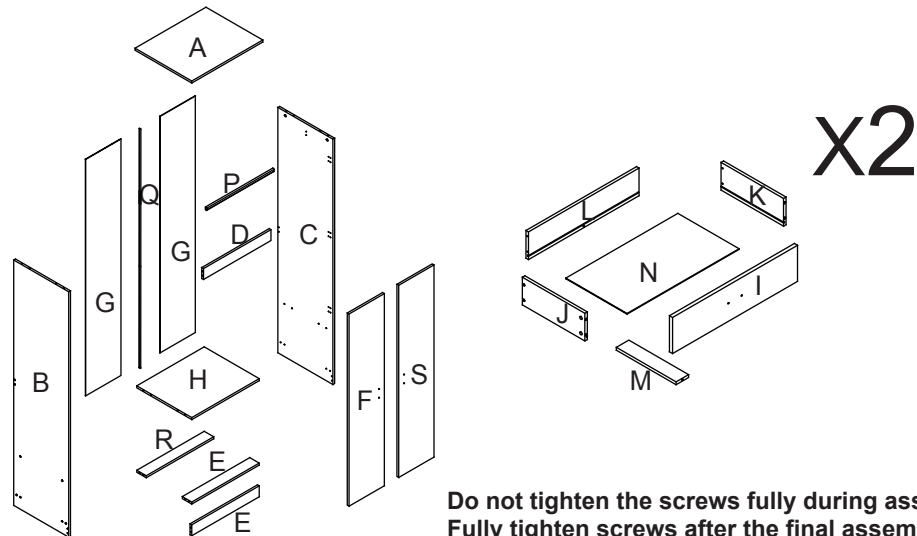
This product contains small parts and sharp points, keep away from children and babies. Adult assembly required. Failure to follow these warnings could result in serious injury.

MAXIMUM SAFE LOAD: 10kgs for each shelf, 8kgs for hanging bar, and 10kgs for each drawer.

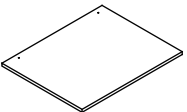
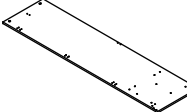
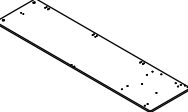
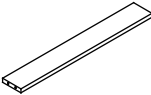
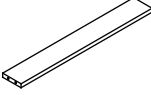
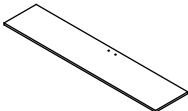

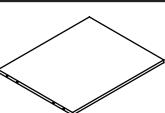
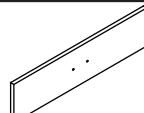
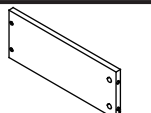
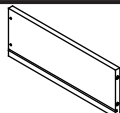
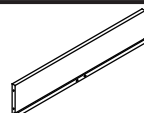
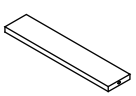
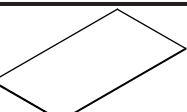
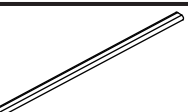

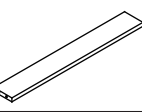
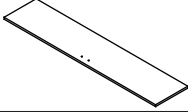
Hardware list

	a		14PCS
	b	15X10mm	14PCS
	c	6X30mm	8PCS
	d	5X50mm	20PCS
	e		4PCS
	f	4X18mm	8PCS
	g	3X12mm	20PCS
	h		2PCS
	i		1PC
	j		6PCS
	k	4X12mm	40PCS
	m		2PCS

	n		2PCS
	o		2PCS
	p		2PCS
	q		28PCS
	r	4X12mm	2PCS
	s	4X30mm	12PCS
	t	4X35mm	2PCS
	u		2PCS
	v		1PC
	w		2PCS
	x	ø20mm	20PCS
	y	35X12mm	2PCS

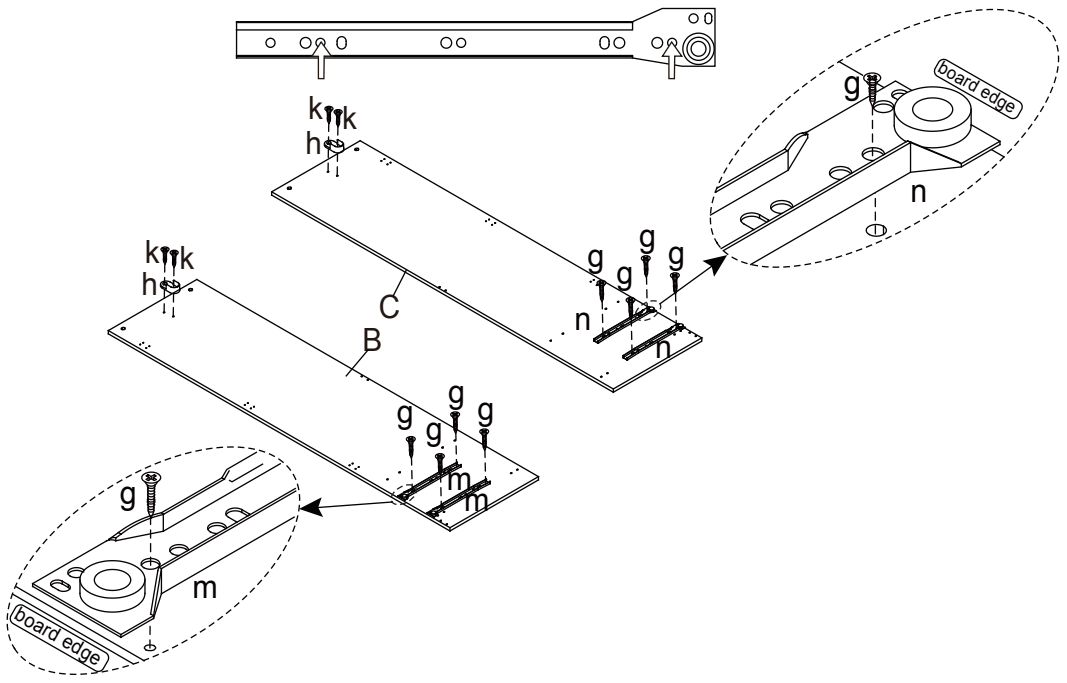


Do not tighten the screws fully during assembly.
Fully tighten screws after the final assembly steps

	A	1 PC		B	1 PC		C	1 PC
	D	1 PC		E	2 PCS		F	1 PC
	G	2 PCS		H	1 PC		I	2 PCS
	J	2 PCS		K	2 PCS		L	2 PCS
	M	2 PCS		N	2 PCS		O	1 PC
	P	4 PCS		Q	1 PC		R	1 PC

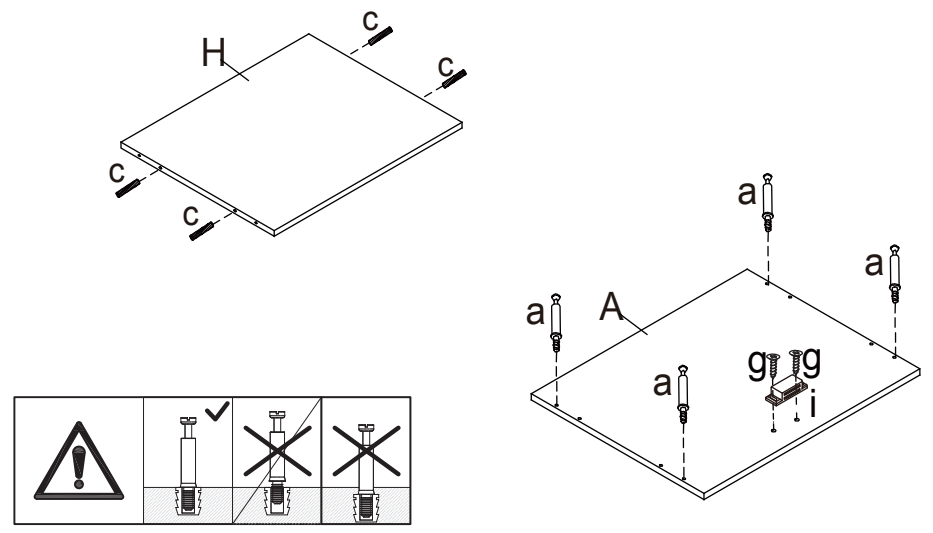
STEP 1

- X2
- X2
- X2
- X8
- X4



STEP 2

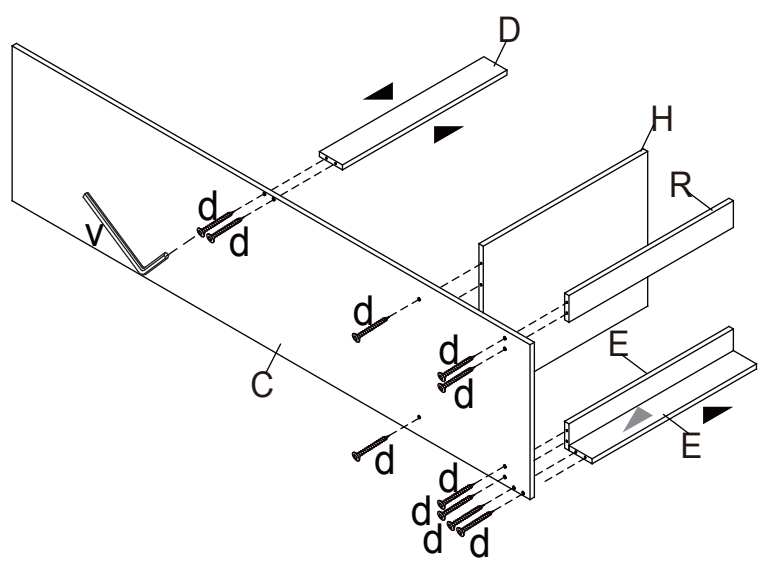
- X4
- X4
- X1
- X2



STEP 3

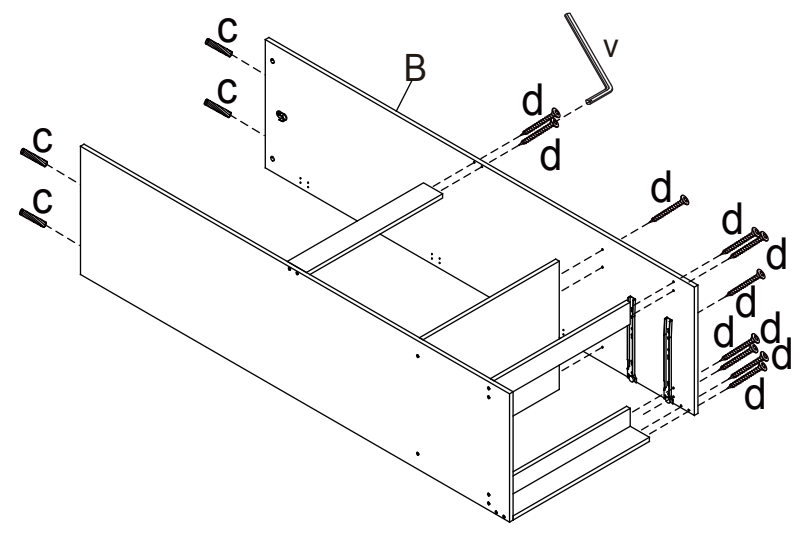
- X10

▲ this side with edge banding

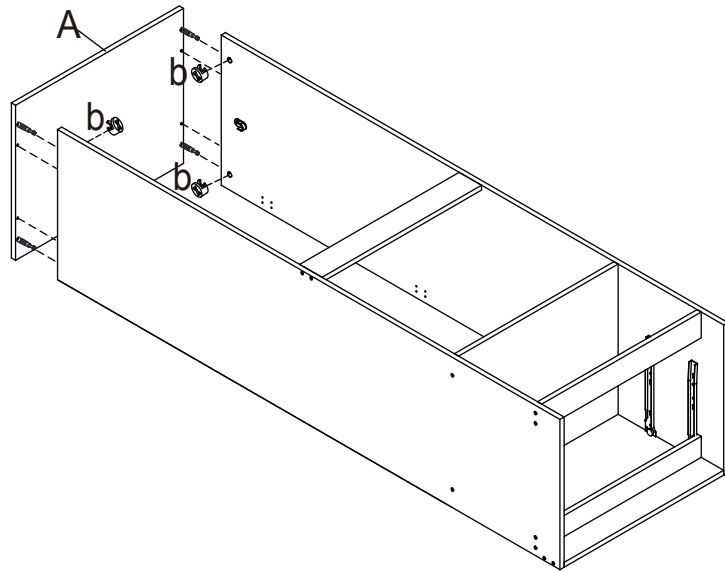


STEP 4

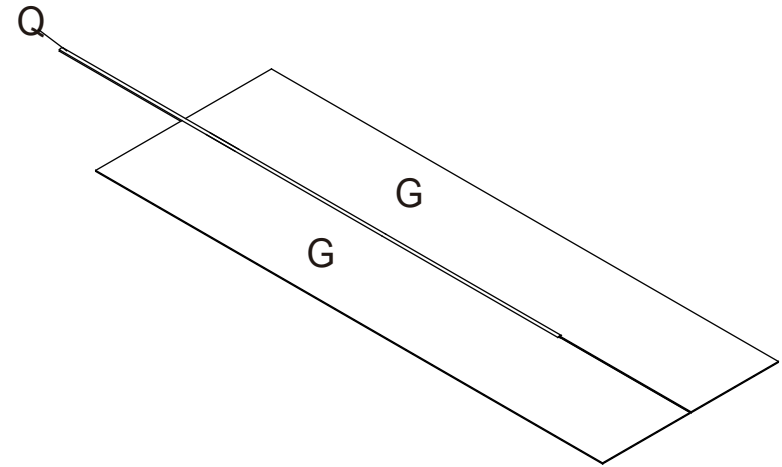
- X10
- X4



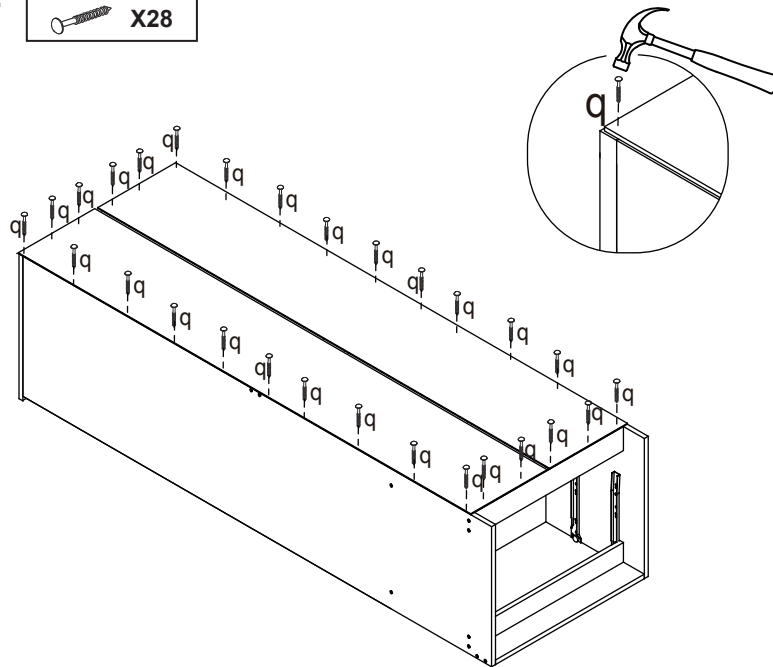
STEP 5



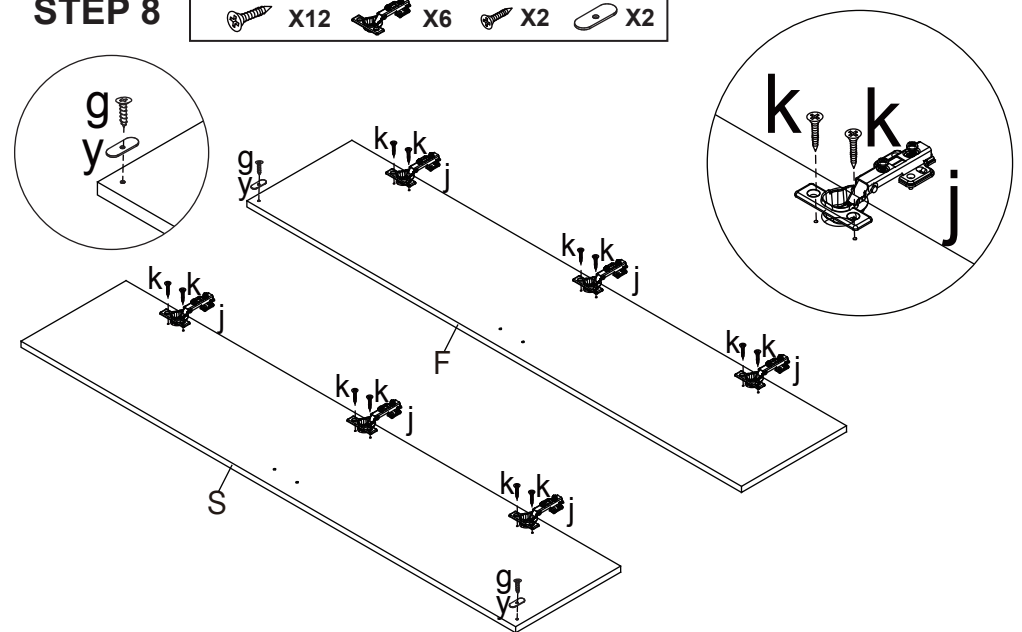
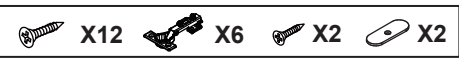
STEP 6



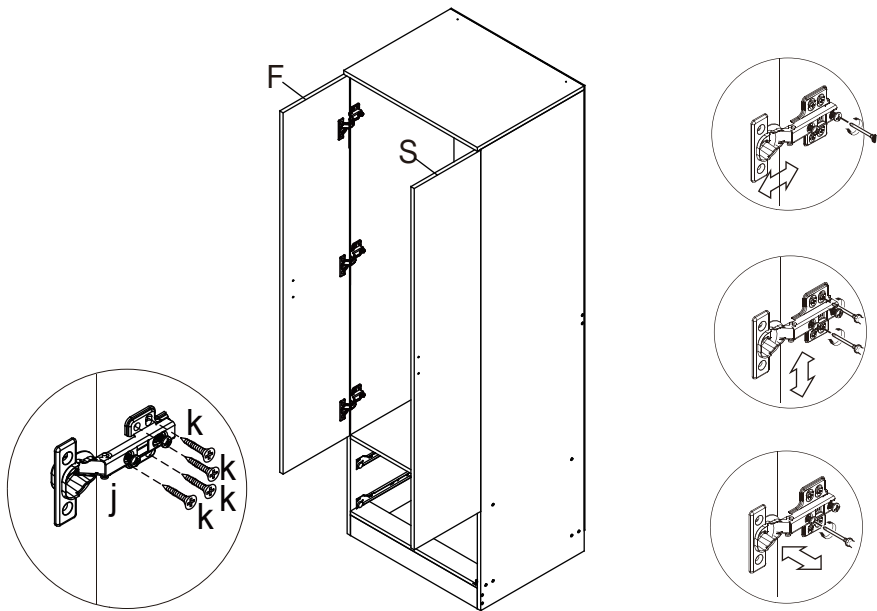
STEP 7



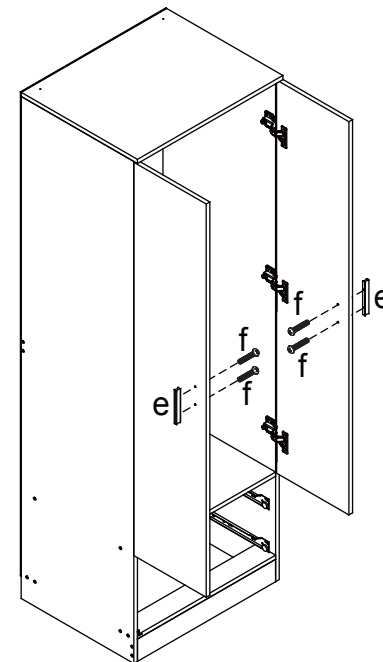
STEP 8






STEP 9  X24

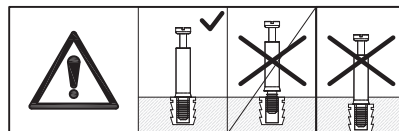
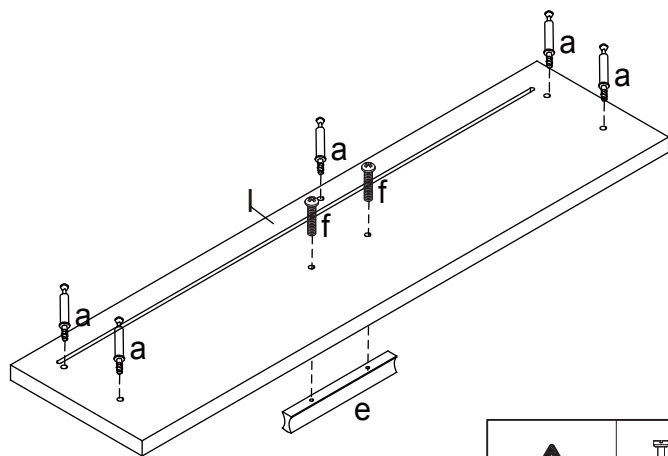


STEP 10  X2  X4



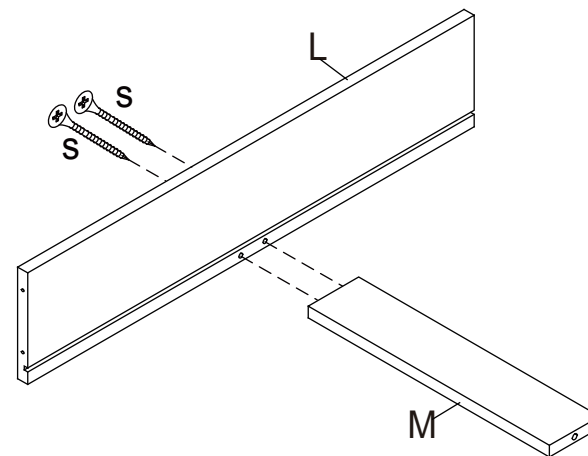
STEP 11  X2  X4  X10

x2

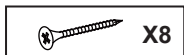


STEP 12  X4

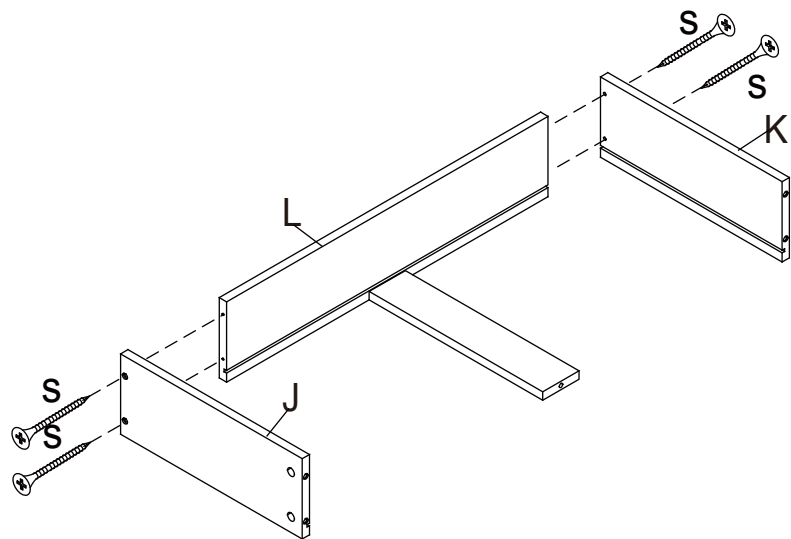
x2



STEP 13

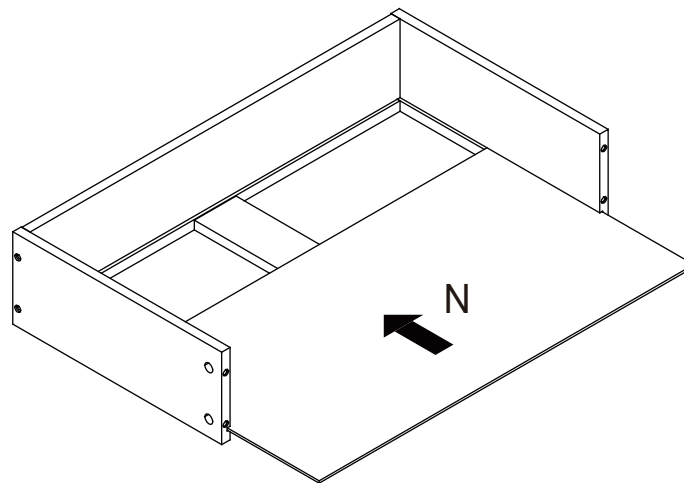


x2



STEP 14

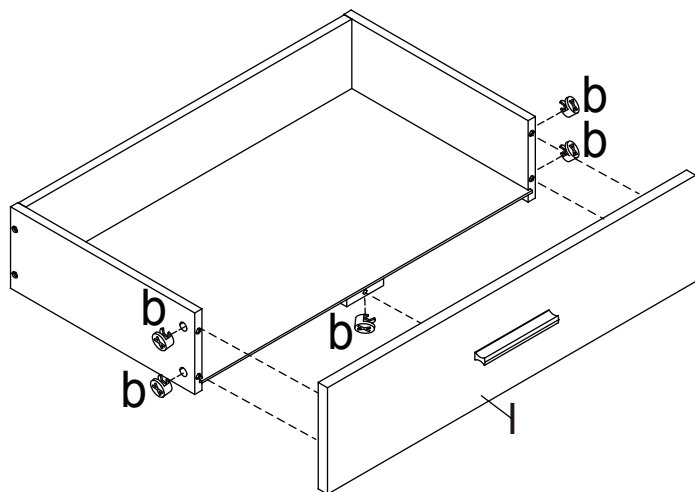
x2



STEP 15



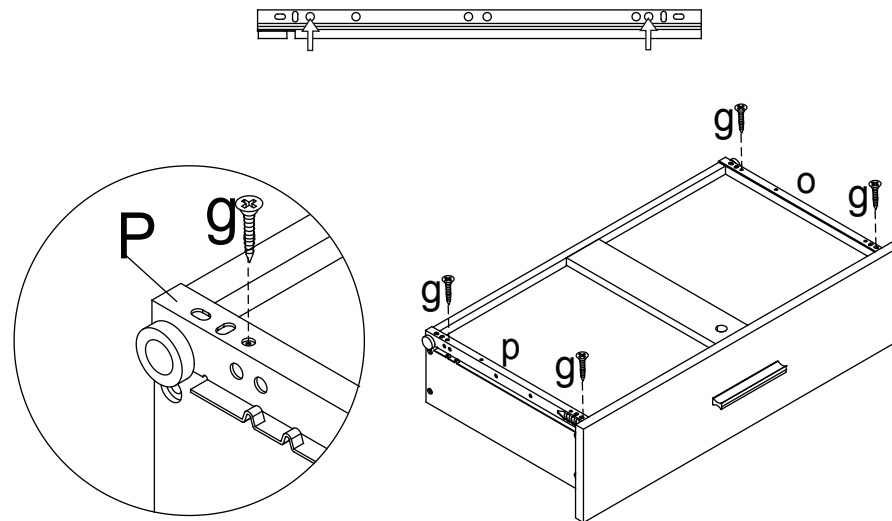
x2



STEP 16

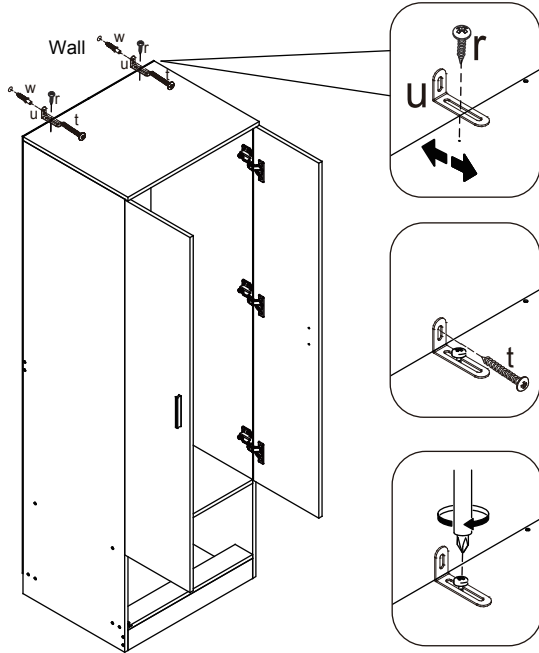


x2



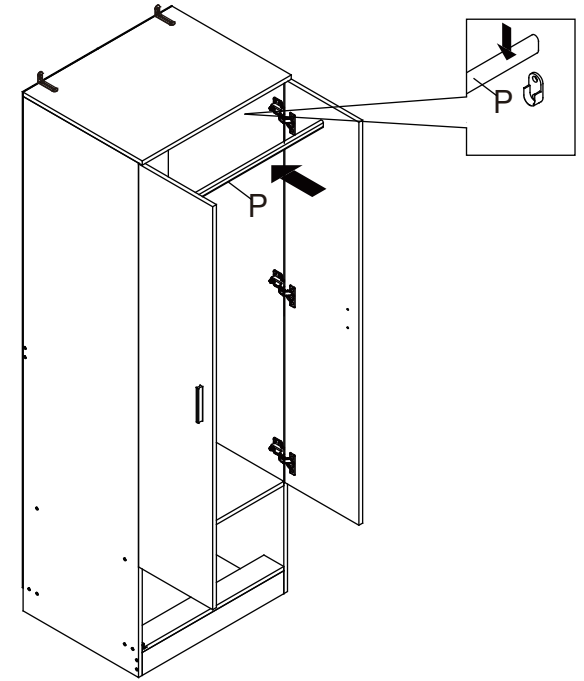
STEP 17

 X2  X2  X2  X2



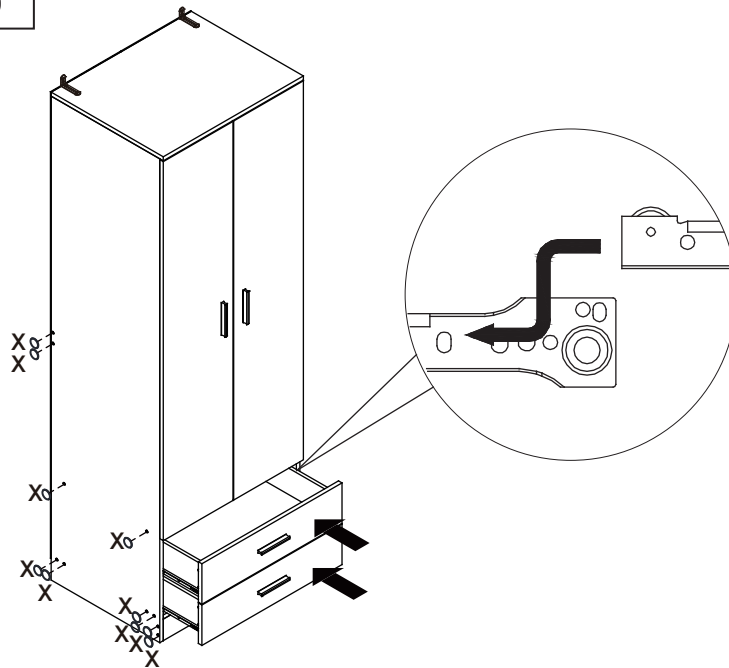
It is strongly recommended that this product is permanently fixed to the wall. Please seek professional advice if you are in doubt of what fixing device to use. Regularly check that anchors are securely maintained. **CAUTION:** for your safety when attaching the anchor fixings, please note the following: Check any electrical wires or plumbing inside the wall before drilling any holes (if you are unsure please seek professional advice from a qualified tradesperson).

STEP 18



STEP 19

 X10



STEP 20

 X10

