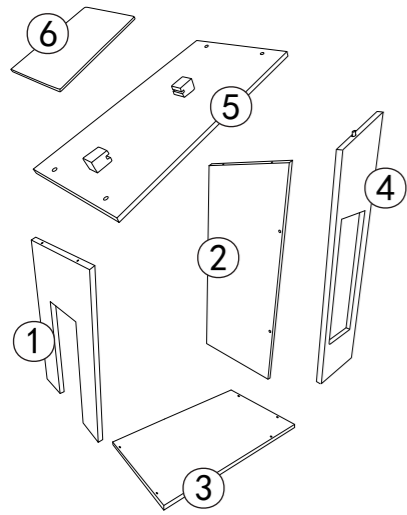


anko INSTRUCTION MANUAL

WOODEN ECO DOLL HOUSE

3+
years

1



HARDWARE

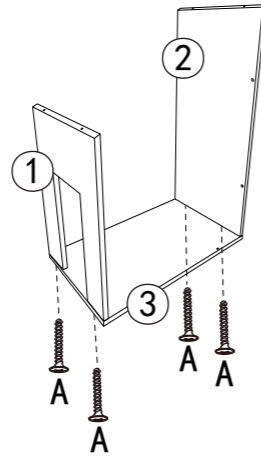
A . Long screw X9

B. Short screw X2

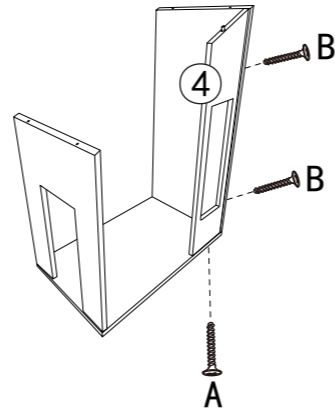
Cross screwdriver (not included)



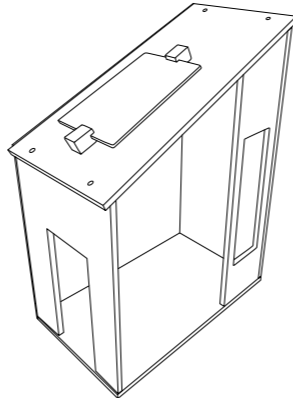
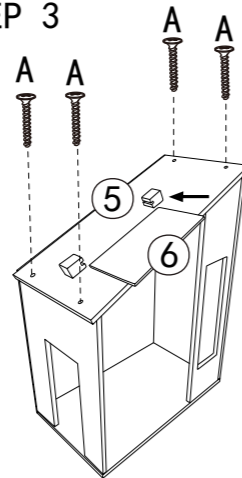
STEP 1



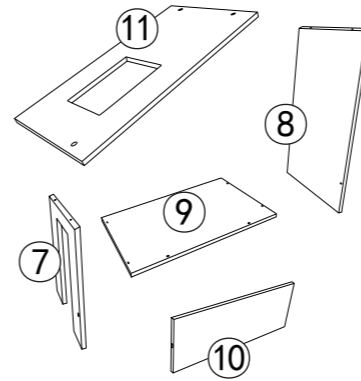
STEP 2



STEP 3



2



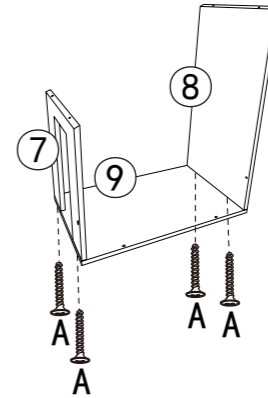
HARDWARE

A . Long screw X12

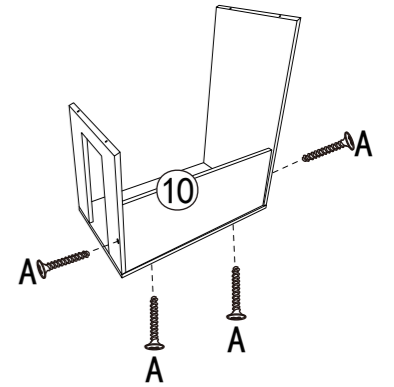
Cross screwdriver (not included)



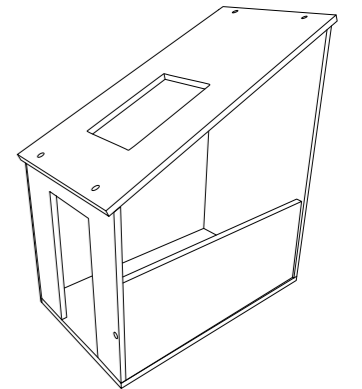
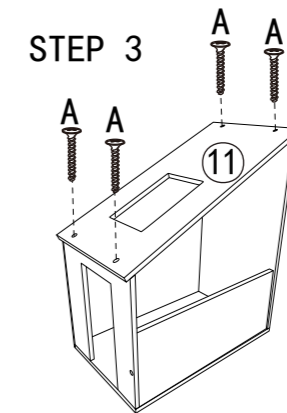
STEP 1



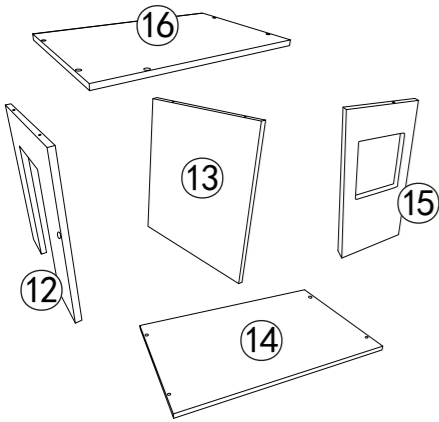
STEP 2




STEP 3





3



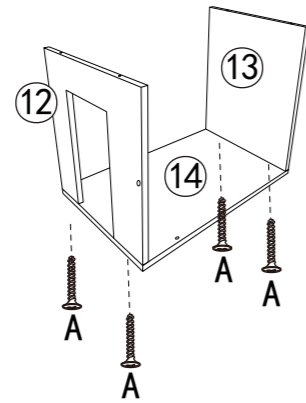
HARDWARE

A . Long screw
 X10

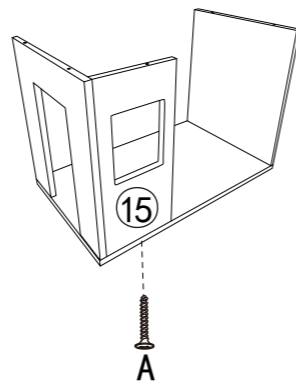
B. Short screw
 X1

Cross screwdriver
(not included)


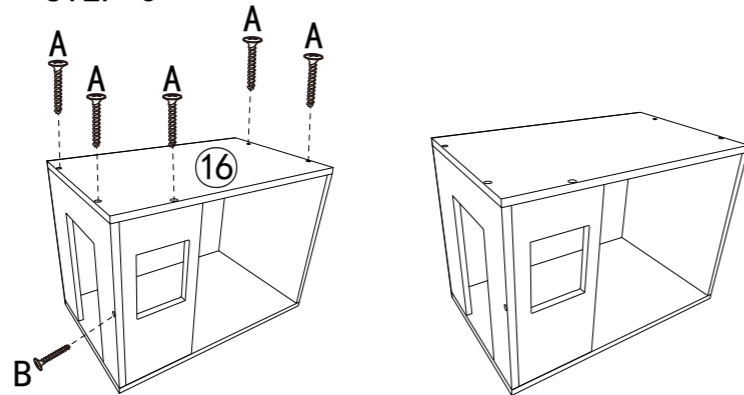
STEP 1



STEP 2



STEP 3



WARNING: CHOKING HAZARD – SMALL PARTS,
NOT SUITABLE FOR CHILDREN UNDER 3 YEARS.

CAUTION: ADULT ASSEMBLY IS REQUIRED.
UNASSEMBLED PARTS CONTAIN SCREWS AND
WITH FUNCTIONAL SHARP POINTS,
PLEASE KEEP UNASSEMBLED PARTS AWAY FROM SMALL CHILDREN.

CAUTION: PLEASE CHECK CONDITION OF ITEM REGULARLY,
AS SCREWS MAY LOOSEN WITH USE OVER TIME.
TIGHTEN SCREW FITTINGS IF NECESSARY.

WARNING: DO NOT STAND OR SIT ON THE PRODUCT.
DO NOT USE AS A STEP LADDER. FAILURE TO FOLLOW
THESE WARNINGS COULD RESULT IN SERIOUS INJURY.
THIS IS A TOY, INTENDED FOR ROLE PLAY ONLY.

Keycode: 42983736
MADE IN CHINA
© KMART AUSTRALIA LIMITED