

# Assembly Instructions


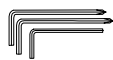







## 42985075 3 SECTION WARDROBE

### ATTENTION:

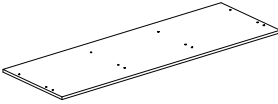
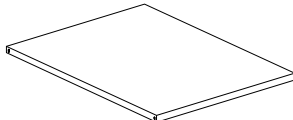
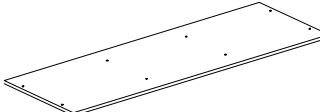
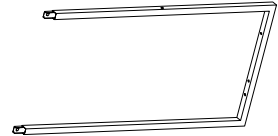
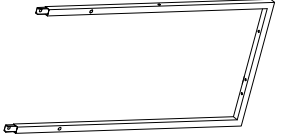

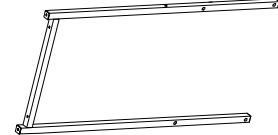
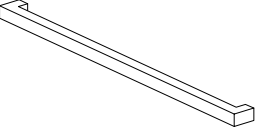
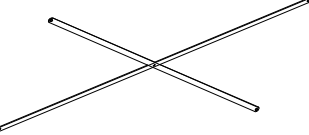
DO NOT TIGHTEN THE SCREWS UNTIL THE PRODUCT IS FULLY ASSEMBLED.  
FOR INDOOR USE ONLY

**MAXIMUM LOADING WEIGHT: 8KG FOR EACH CLOTHES RAIL, 8KG FOR TOP SHELF, 5KG FOR EACH MIDDLE SHELF, 15KG FOR BOTTOM SHELF.**

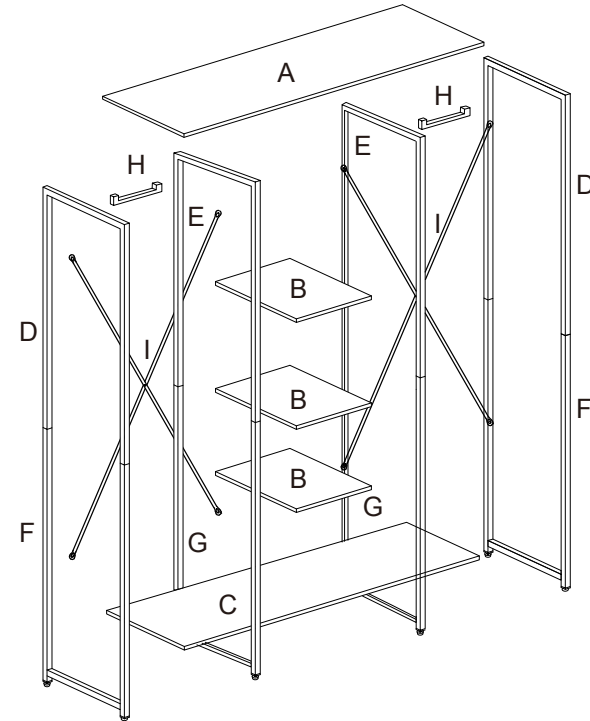
### 1 Hardware list

	a	M5X40mm	12pcs		f	3pcs
	b	M6X28mm	20pcs		g	2pcs
	c		4pcs		h	2pcs
	d	M4X12mm	8pcs		i	2pcs
	e		8pcs			

### 2

		
A 1PC	B 3PCS	C 1PC
		
D 2PCS	E 2PCS	F 2PCS
		
G 2PCS	H 2PCS	I 2PCS

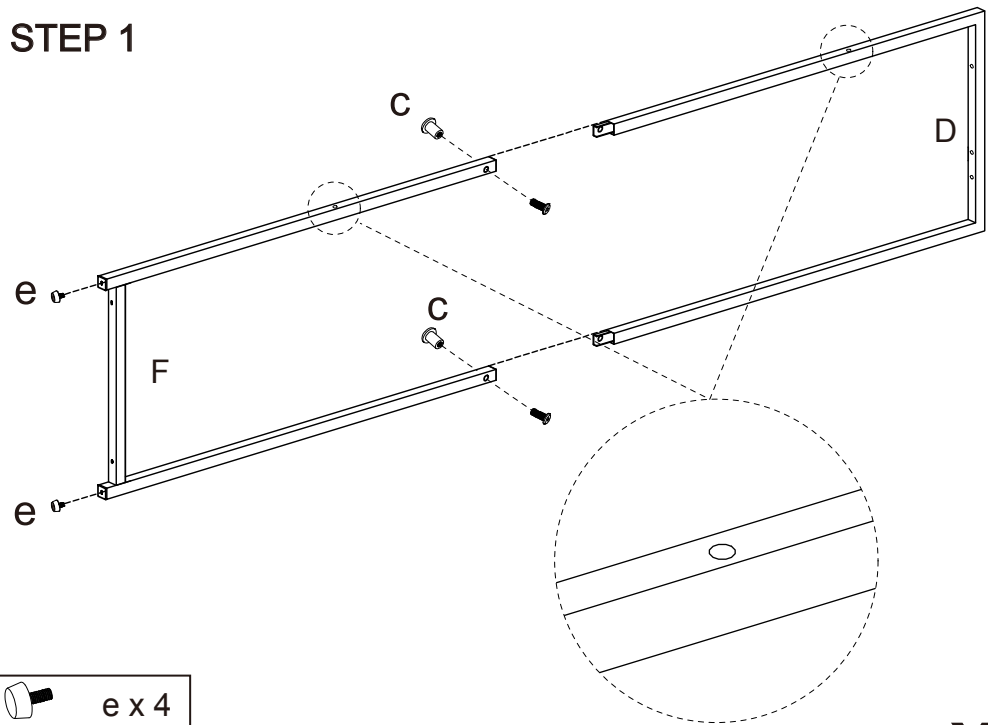
### 3





#### TOPPLING FURNITURE WARNING:

>IT IS STRONGLY RECOMMENDED THAT THIS PRODUCT IS PERMANENTLY FIXED TO THE WALL.  
>PLEASE SEEK PROFESSIONAL ADVICE IF YOU ARE IN DOUBT OF WHAT FIXING DEVICE TO USE.  
>REGULARLY CHECK THAT ANCHORS ARE SECURELY MAINTAINED.  
>STABILITY OF TALL ITEMS MAY BE AFFECTED BY THICK PILE CARPET OR UNEVEN FLOORS.  
>DO NOT PLACE UNANCHORED TELEVISIONS ON FURNITURE.  
**CAUTION:** FOR YOUR SAFETY WHEN ATTACHING THE ANCHOR FIXINGS, PLEASE NOTE THE FOLLOWING:  
>CHECK ANY ELECTRICAL WIRES OR PLUMBING INSIDE THE WALL BEFORE DRILLING ANY HOLES (IF YOU ARE UNSURE PLEASE SEEK PROFESSIONAL ADVICE FROM A QUALIFIED TRADESPERSON).

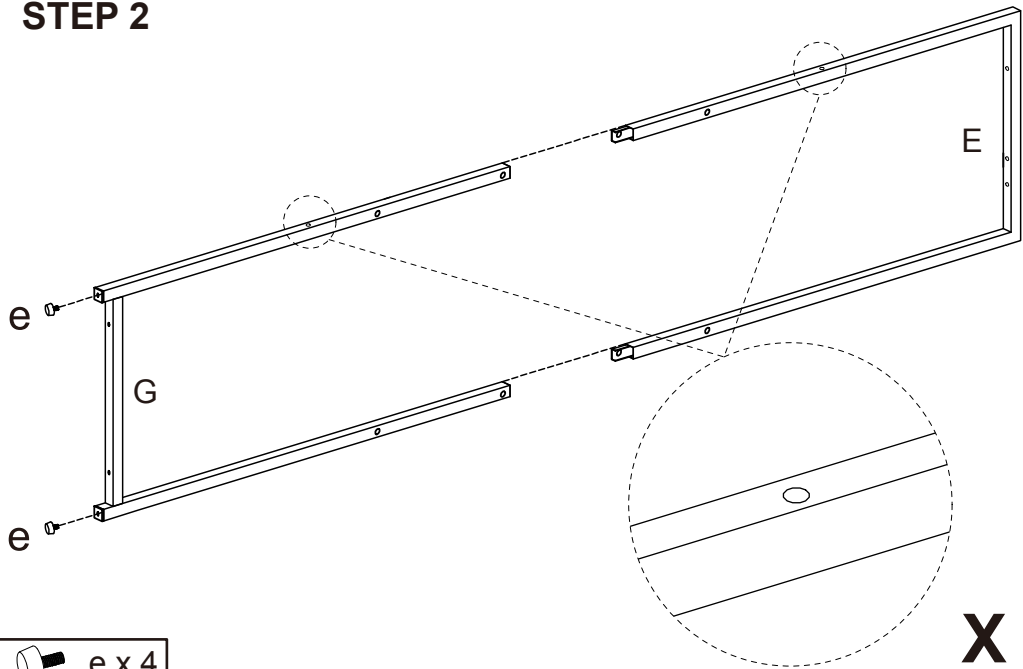
**STEP 1**



-  e x 4
-  c x 4

**X 2**

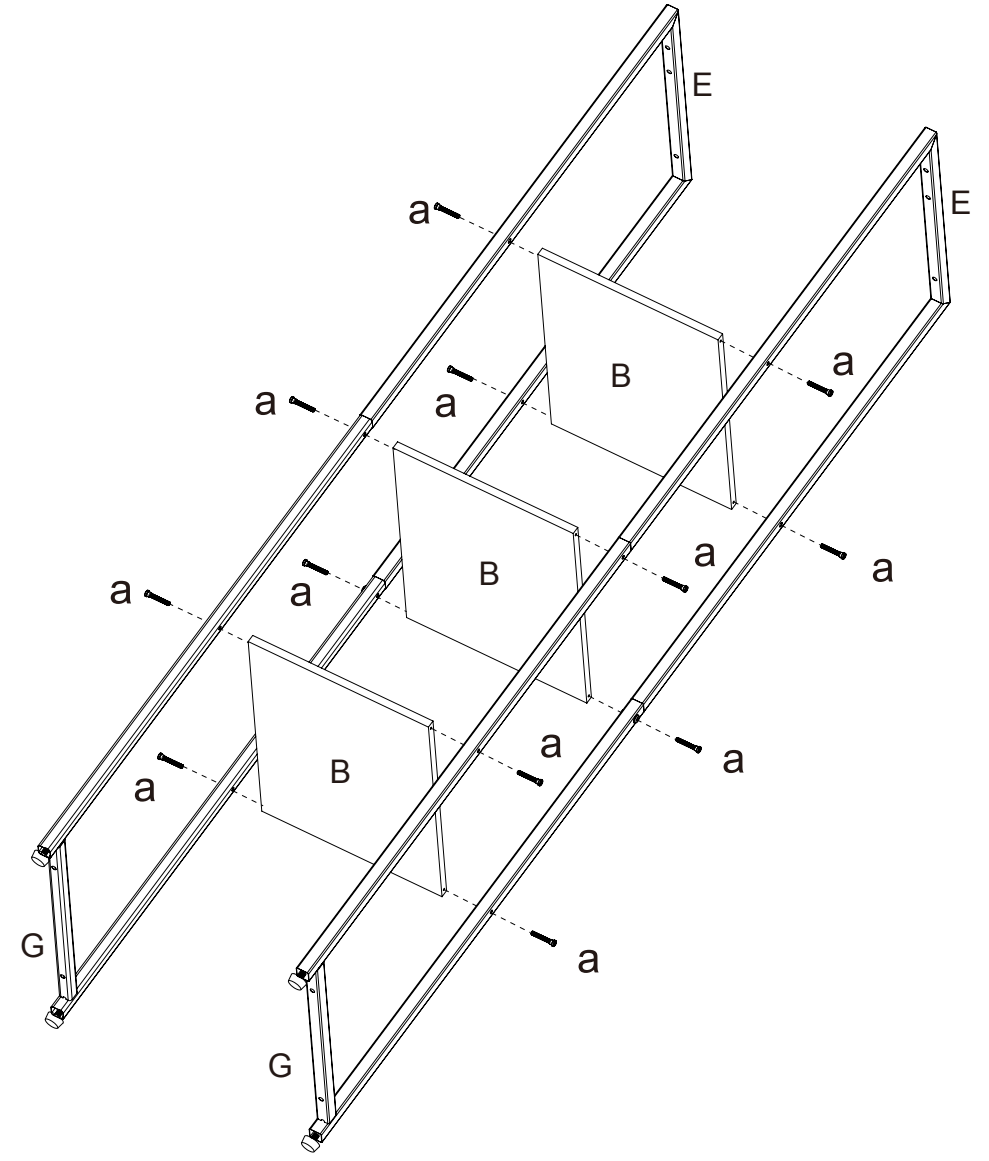
**STEP 2**



-  e x 4

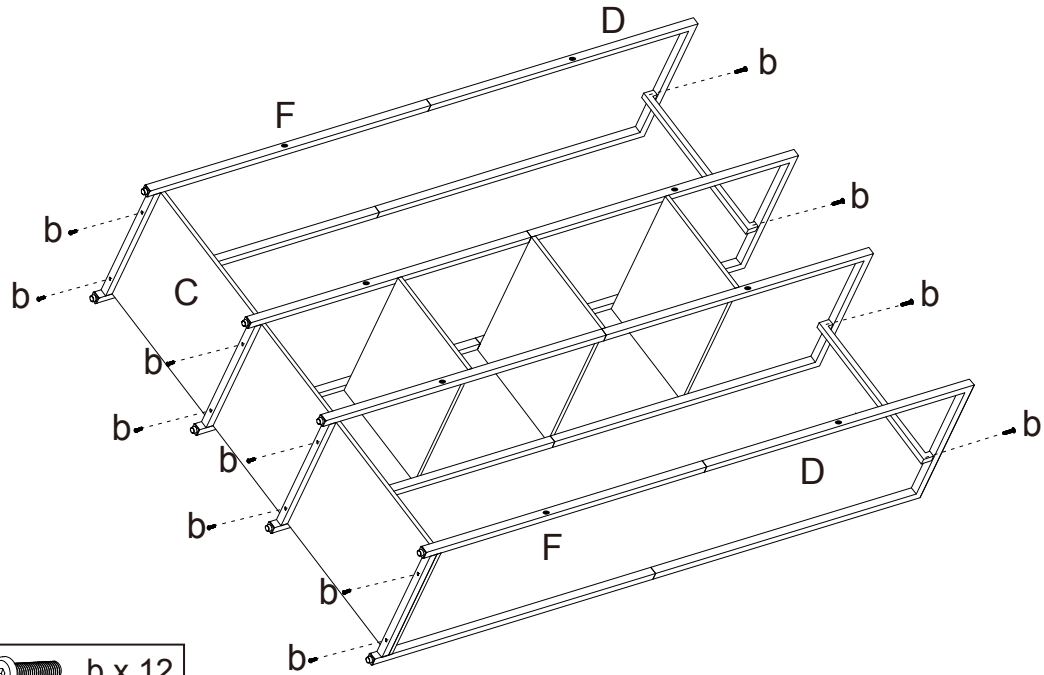
**X 2**

**STEP 3**



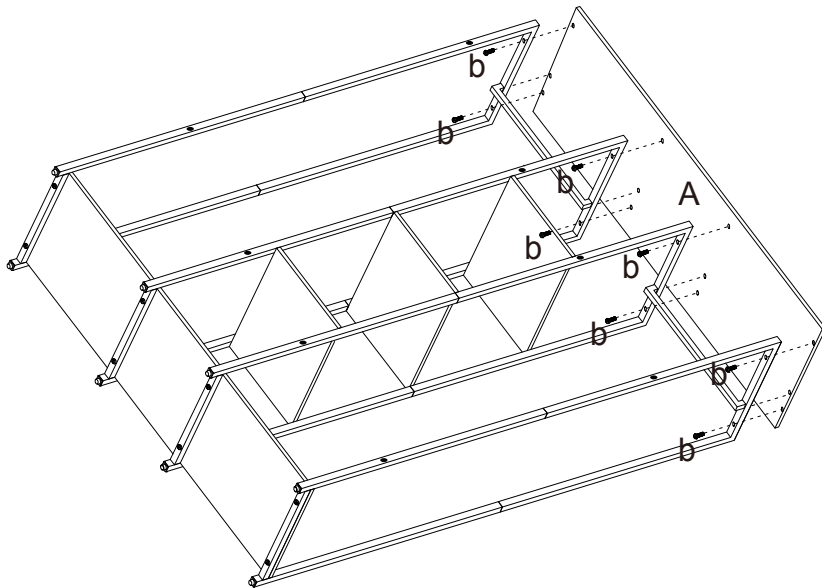
-  a x 12

### STEP 4



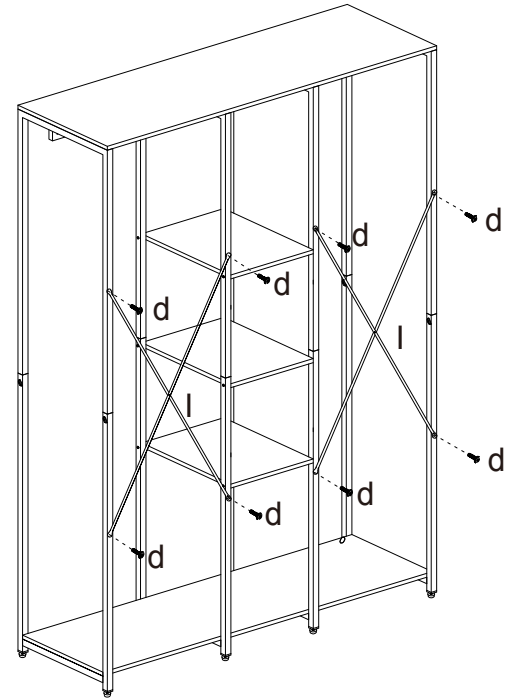
 b x 12

### STEP 5



 b x 8

### STEP 6



 d x 8

### STEP 7

