

Assembly Instructions

42986140 4 TIER SQUARE WOODEN SHELVING UNIT

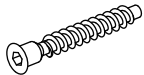
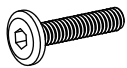
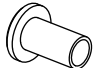


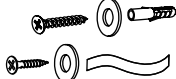
CARE INSTRUCTIONS:

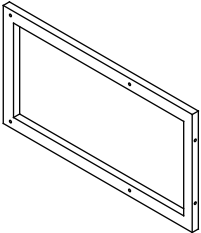
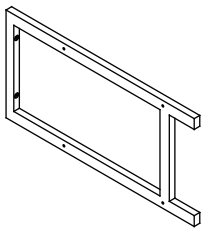
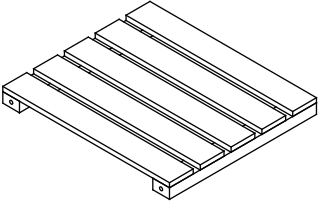
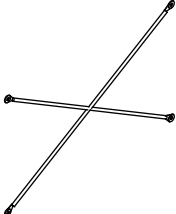
TO BE ASSEMBLED ON A CLEAN, DRY AND SMOOTH SURFACE. WIPE CLEAN WITH A SOFT DAMP CLOTH. NEVER USE SCOURERS, ABRASIVES OR CHEMICAL SOLVENTS. CHECK AND TIGHTEN ALL PARTS REGULARLY. KEEP AWAY FROM MOISTURE AND DIRECT SUNLIGHT. STORE IN A DRY PLACE. FOR INDOOR USE ONLY.

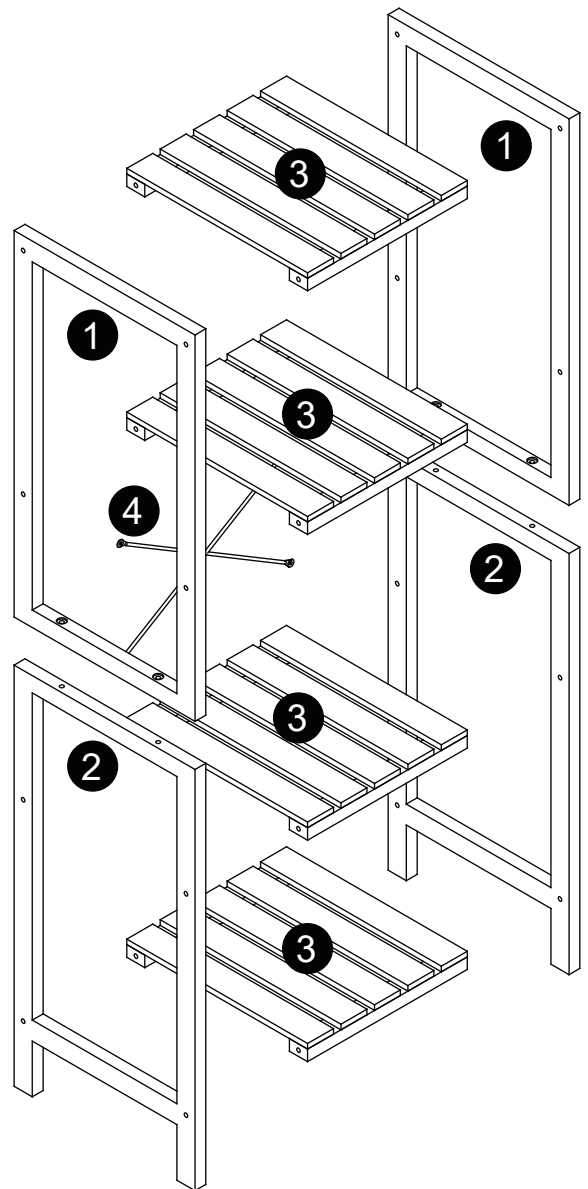
WARNING!

DO NOT STAND, SIT OR LEAN ON THIS UNIT. DO NOT USE THIS UNIT AS A STEP LADDER. ENSURE THIS UNIT IS USED ONLY ON A FLAT SURFACE. DO NOT USE THIS UNIT UNLESS ALL BOLTS AND SCREWS ARE FIRMLY SECURED. DO NOT PLACE HOT ITEMS SUCH AS COFFEE CUPS DIRECTLY ON THE SURFACE OF THIS FURNITURE ITEM. KEEP AWAY FROM CHILDREN AND BABIES. THIS PACKAGE CONTAINS SMALL PARTS AND SHARP POINTS. ADULT ASSEMBLY REQUIRED.

MAXIMUM SAFE LOAD: 7KG FOR EACH SHELF.

A		M7X50mm	16PCS
B		M6X35mm	4PCS
C		M6X15mm	4PCS
D		M3X15mm	4PCS
E			1PC
F			1PC

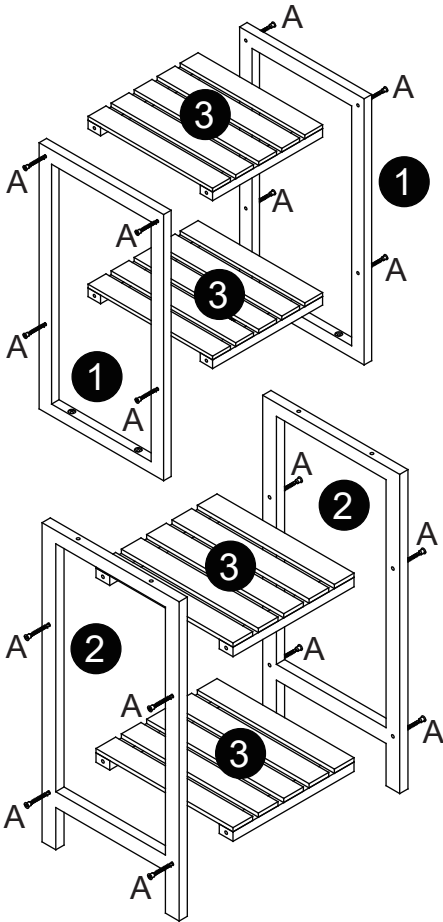
			
1	2 PCS	2	2 PCS
			
3	4 PCS	4	1 PC






Do not tighten the screws fully during assembly.
Fully tighten screws after the final assembly steps.

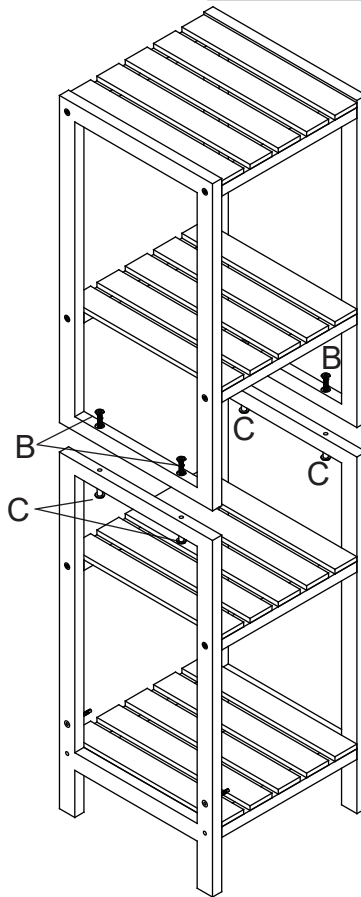
STEP 1

 X16

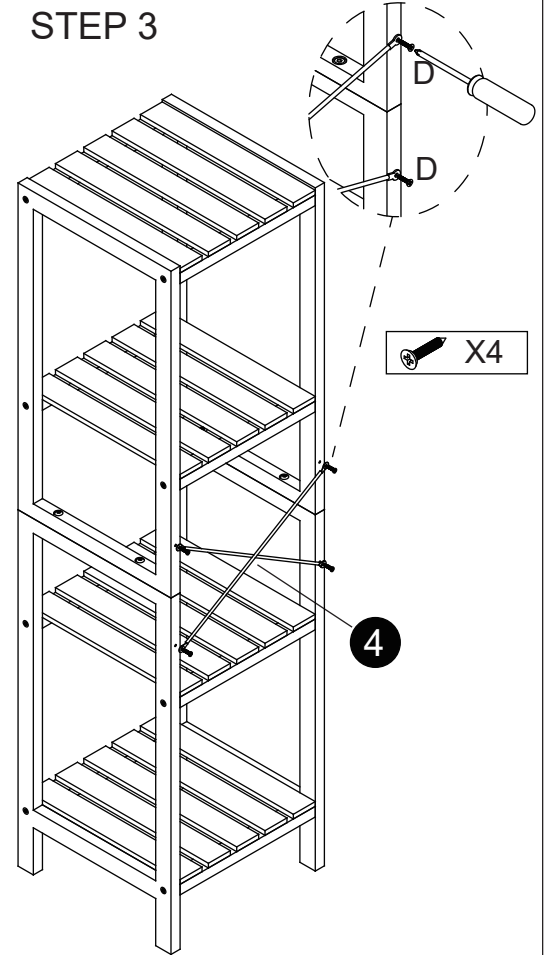


STEP 2

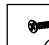
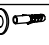
 X4  X4
 X1

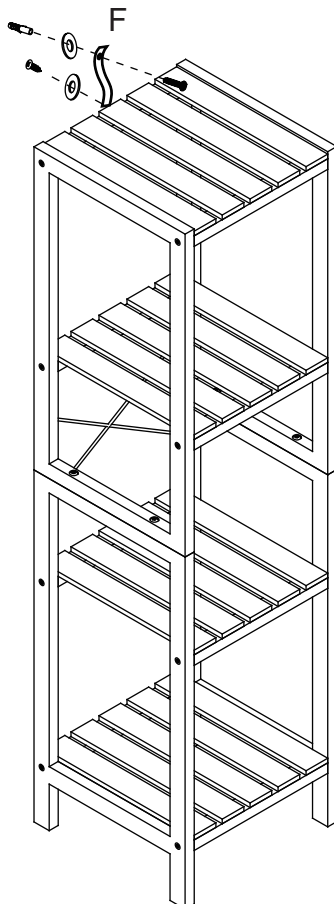


STEP 3



STEP 4

  X1



It is strongly recommended that this product is permanently fixed to the wall. Please seek professional advice if you are in doubt of what fixing device to use. Regularly check that anchors are securely maintained.

CAUTION: For your safety when attaching the anchor fixings, please note the following: Check any electrical wires or plumbing inside the wall before drilling any holes (if you are unsure please seek professional advice from a qualified tradesperson).