

 CAMPMASTER

CMT2

# BUTANE TORCH



## FEATURES

- Powerful flame temperature up to 1300°C
- Built-in pistol piezo ignition
- Easy to use Push 'n Twist attachment
- Adjustable flame control
- Anti-flare
- Light compact & easy to use

- Uses Campmaster CRV 220 gram Butane Canister

 CAMPMASTER

## FEATURES

- Powerful flame temperature up to 1300°C
- Built-in pistol piezo ignition
- Easy to use Push 'n Twist attachment
- Adjustable flame control
- Anti-flare
- Light compact & easy to use

This appliance shall only be used with an approved butane gas cartridge UL147B or EN417.

Read the instructions before using the appliance. IT MAY BE HAZARDOUS TO ATTEMPT TO FIT OTHER TYPES OF GAS CONTAINERS. ONLY USE IN A WELL VENTILATED AREA. CARBON MONOXIDE HAZARD - THIS APPLIANCE CAN PRODUCE CARBON MONOXIDE WHICH HAS NO ODOUR. USING IT IN AN ENCLOSED SPACE (FOR EXAMPLE CAR, TENT, CARAVAN, MOBILE HOME) MAY CAUSE DEATH.

CAUTION: Accessible parts may be very hot. Keep young children away from the appliance.

Always remove the gas canister before storage or transport. Store gas canister in accordance with the recommendations stated on the canister. This torch is not serviceable. Do not modify or tamper with this torch.

Be careful the phenomenon of flaring which may occur during the 30 seconds warm up period and in which the appliance should not be angles more than 15 degrees from the vertical and upright position. The appliance can be used at any angle without flaring after 30 seconds of warm-up period.

Model: CMT2  
Type of gas: Butane  
Appliance category: Vapour pressure-butane  
Gas consumption: 65g/h (3.2 Mi/hr)  
AGA certified: 8577



RECYCLE



CMT2

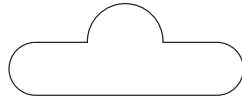
**AHM**   
Amalgamated Hardware Merchants

Campmaster® is a registered trademark of AHM NZ  
For customer service contact enquiries@ahmaustralia.com.au or visit www.campmaster.co.nz

Made in China



# BUTANE GAS TORCH



MODEL No.  
CM-T2

## INSTRUCTIONS FOR USE

**IMPORTANT:** Read these instructions for use carefully so as to familiarize yourself with the appliance before connecting it to its gas cartridge. Keep these instructions for future reference.

### NAME OF PARTS



### INTRODUCTION

1. This appliance shall only be used with the CRV butane cartridge CM220 / CM220T CRV.
2. It may be hazardous to attempt to fit other types of gas cartridges.
3. Injector size 0.23 mm
4. Nominal rate: 65 g/h / 3.2 Mj/hr

### SAFETY INFORMATION

1. Check that seals between the appliance and the gas cartridge are in place and in good condition before connecting to the gas cartridge. (Fig. 1) O-ring shall be fitted in the inlet port of the valve.
2. Do not use the appliance if it has damaged or worn seals; Do not use an appliance which is leaking, damaged or which does not operate properly.
3. This appliance must be used in a well-ventilated location in accordance with national requirements for the supply of combustion air (minimum ventilation required 5m<sup>3</sup>/h) and to avoid the dangerous building up of un-burnt gases.
4. The appliance shall be used away from flammable materials and on minimum distance from adjacent surfaces (wall, ceiling); rear 60cm – Side 60cm – Ceiling 100cm
5. Gas cartridge shall be changed in a well-ventilated location, preferably outside, away from any sources of ignition, such as naked flames, pilots, electric fires and away from other people.
6. If there is a leak on your appliance (smell of gas), take it outside immediately into a well-ventilated flame free location where the leak may be detected and stopped. If you wish to check for leaks on your appliance, do it outside. Do not try to detect leaks using a flame, use soapy water.
7. Carbon monoxide hazard-using this appliance in an enclosed space may cause death. Do not use in caravans, tents, marine craft, cars, mobile Homes or similar locations.

### HANDLING THE APPLIANCE

1. CAUTION: accessible parts may become very hot. Keep young children away from the appliance.
2. Storage: Always store the appliance after removing the gas cartridge in a safe cool dry place when it is not used.
3. Do not misuse the appliance, or use it for anything for which it has not been designed.
4. Handle the appliance with care. Do not drop it.

Fig.1



Fig.2

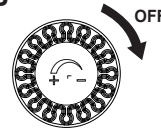


Fig.3

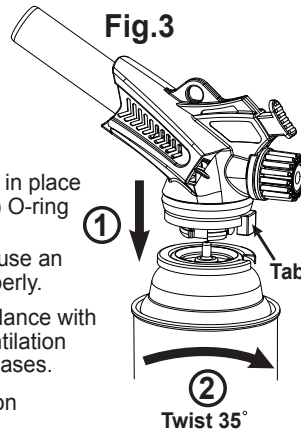
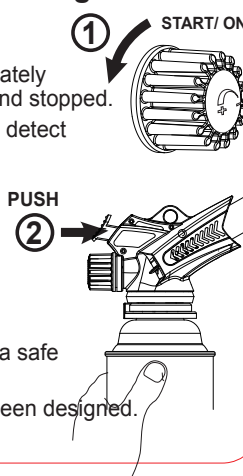


Fig.4



### ASSEMBLING THE APPLIANCE

1. Make sure the control knob (1) is fully closed (by turning it clockwise as far as it will go). (Fig.2)
2. Keep the gas cartridge upright when fitting it to the valve.
3. Align the notch in the collar of the gas cartridge with the locator tab (2) on the valve adaptor (3) of the appliance.
4. Push down the valve adaptor gently in the concave part of the gas cartridge and turn the gas cartridge clockwise until "hand tightened". (Fig.3)
5. If the gas cartridge is not connected correctly, you will hear a hissing sound. Ensure that a complete gas seal has been made. If you wish to check for leaks on your appliance, do it outside. Do not try to detect leaks using a flame, use soapy water. Any leakage will show up as bubbles around leakage area. If you are in doubt or you can hear or smell gas, do not attempt to light the appliance. Remove gas cartridge from the appliance and contact your local dealer.

### OPERATING THE APPLIANCE

1. Turn the control knob anticlockwise and pull the trigger (4) until you hear a click indicating that a spark has been produced. (Fig. 4)
2. Adjust the size of the flame by turning the control knob.
3. Be careful the phenomenon of flaring which may occur during the warm up period and if the appliance is moved. The appliance can be used without flaring after 30 seconds of warm-up period.
4. After use, ensure the control knob is turned fully clockwise. (Fig.2)
5. Turn the gas cartridge counter-clockwise from the valve body to disconnect. Then store the appliance and gas cartridge separately.

### CHANGING THE GAS CARTRIDGE

1. Check that the cartridge is empty before changing it (shake to hear the noise made by the liquid)
2. Check that flame is extinguished before disconnecting the gas cartridge.
3. When the appliance is cool turn the gas cartridge counterclockwise from the valve adaptor to disconnect.
4. Check the seals before connecting a new gas cartridge to the appliance.
5. Change the gas cartridge outside and away from people.
6. For safe connection of the gas cartridge, check all joints and couplings of the valve adaptor periodically to insure against loose connection.

### ROUTINE MAINTENANCE

1. Always ensure that the sealing O-ring is in place and in good condition. If it is damaged or worn, replace it.
2. Before connecting the gas cartridge, make sure that the position of tap and joints of the valve adaptor is as the following illustration.



### GENERAL MAINTENANCE AND REPAIRS

1. Do not modify the appliance.
2. This appliance must only be serviced by an authorized person.
3. In event of any problem, please contact the dealer.