

Assembly Instruction

42991748 SLIM LINE TROLLEY WHITE








CARE INSTRUCTIONS:

Load drawer evenly to prevent from tipping over.

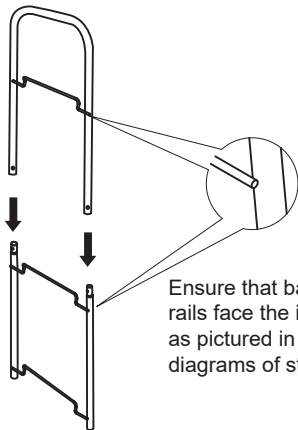
WARNING:

This package contains small parts and sharp points, keep unassembled parts away from children and babies.

Hardware list

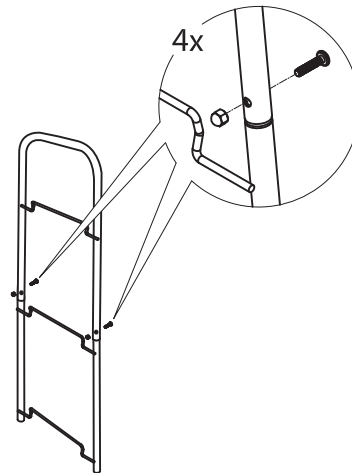
	A	Top tube	2PCS		E	Wheel with brake	2PCS
	B	Bottom tube	2PCS		F	Nut	4PCS
	C	Basket	3PCS		G	Screw	4PCS
	D	Wheel	2PCS				

STEP 1 X2 X2

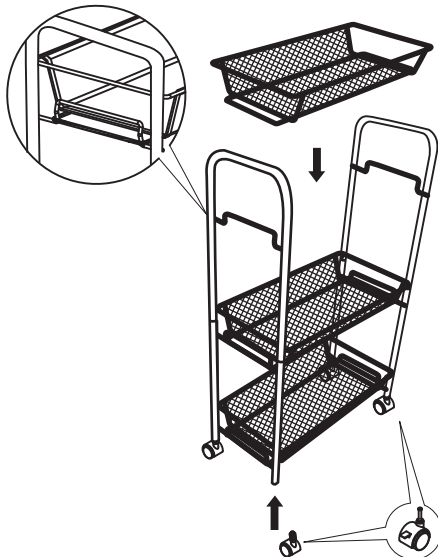


Ensure that basket securing rails face the inside of trolley as pictured in blowup diagrams of steps 1, 2 & 3

STEP 2 X4 X4



STEP 3 X3 X2 X2



STEP 4

