

# Assembly Instructions

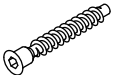
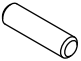

## CARE INSTRUCTIONS:

TO BE ASSEMBLED ON A CLEAN, DRY AND SMOOTH SURFACE. WIPE CLEAN WITH A SOFT DAMP CLOTH. NEVER USE SCOURERS, ABRASIVES OR CHEMICAL SOLVENTS. CHECK AND TIGHTEN ALL PARTS REGULARLY. KEEP AWAY FROM MOISTURE AND DIRECT SUNLIGHT. STORE IN A DRY PLACE. FOR INDOOR USE ONLY.

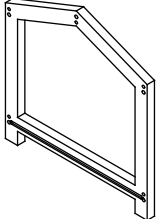
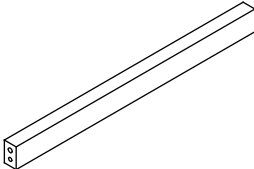
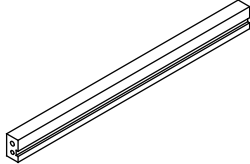
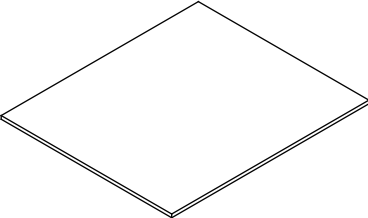
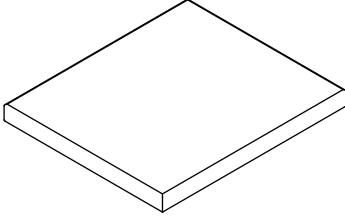
## WARNING!

DO NOT STAND, SIT ON THIS UNIT. DO NOT USE THIS UNIT AS A STEP LADDER. ENSURE THIS UNIT IS USED ONLY ON A FLAT SURFACE. DO NOT USE THIS UNIT UNLESS ALL BOLTS AND SCREWS ARE FIRMLY SECURED. THIS PRODUCT CONTAINS SMALL PARTS AND SHARP POINTS, KEEP AWAY FROM CHILDREN AND BABIES. ADULT ASSEMBLY REQUIRED. A MILD ODOUR MAY BE PRESENT WHEN FIRST OPENING THIS CARTON. SIMPLY ALLOW TO AIR OUTSIDE AND THIS WILL FADE. **MAXIMUM SAFE LOAD: 15KG.**

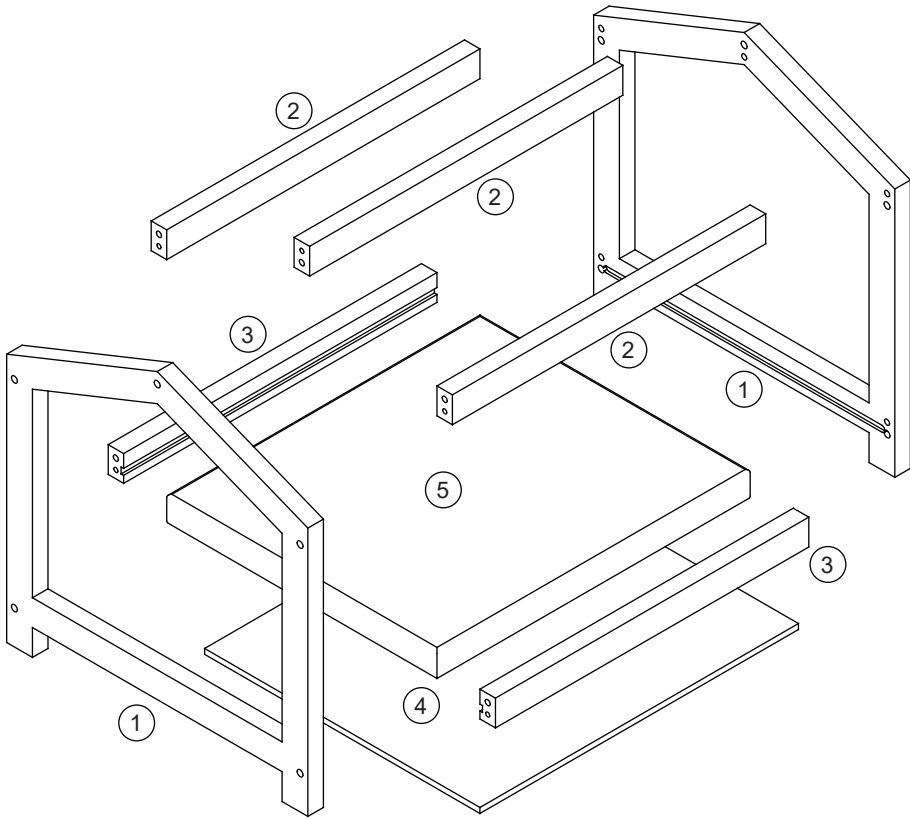
## 1 Hardware List

	A	7x50mm	10pcs		B	6x30mm	10pcs		C	M4mm	1pc
---	---	--------	-------	---	---	--------	-------	---	---	------	-----

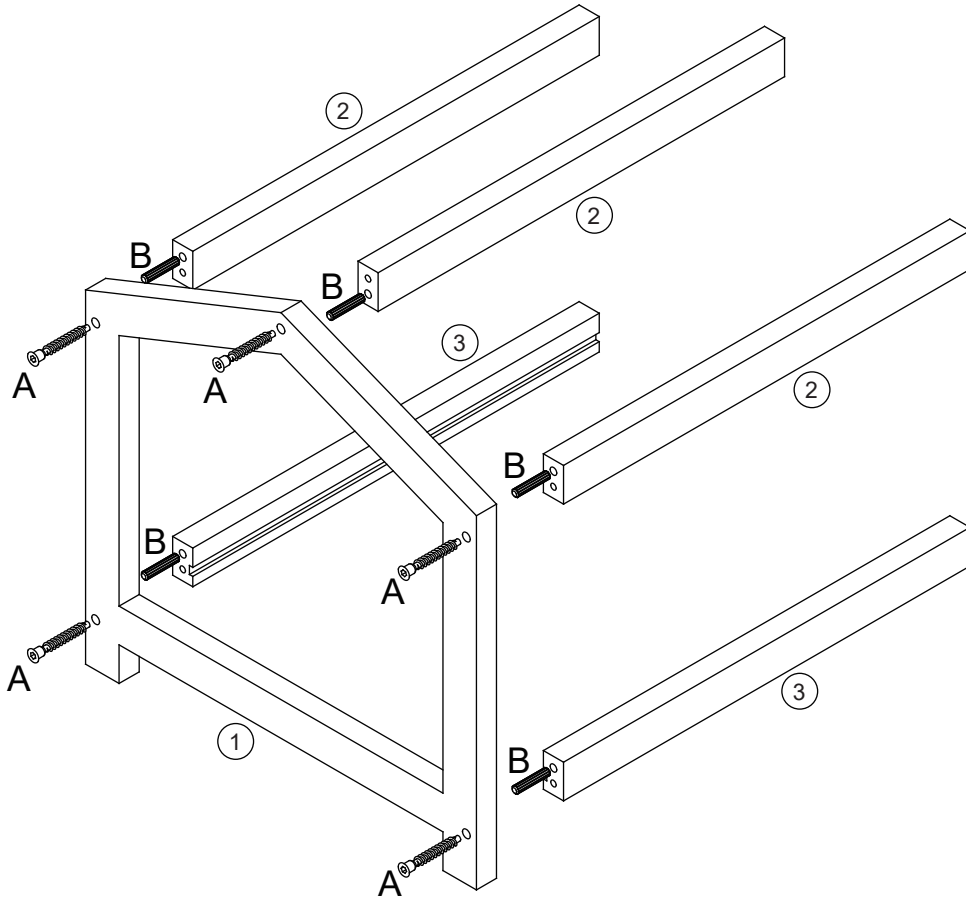
## 2 Parts List

											
①		2pcs		②		3pcs		③		2pcs	
											
④		1pc		⑤		1pc					

3

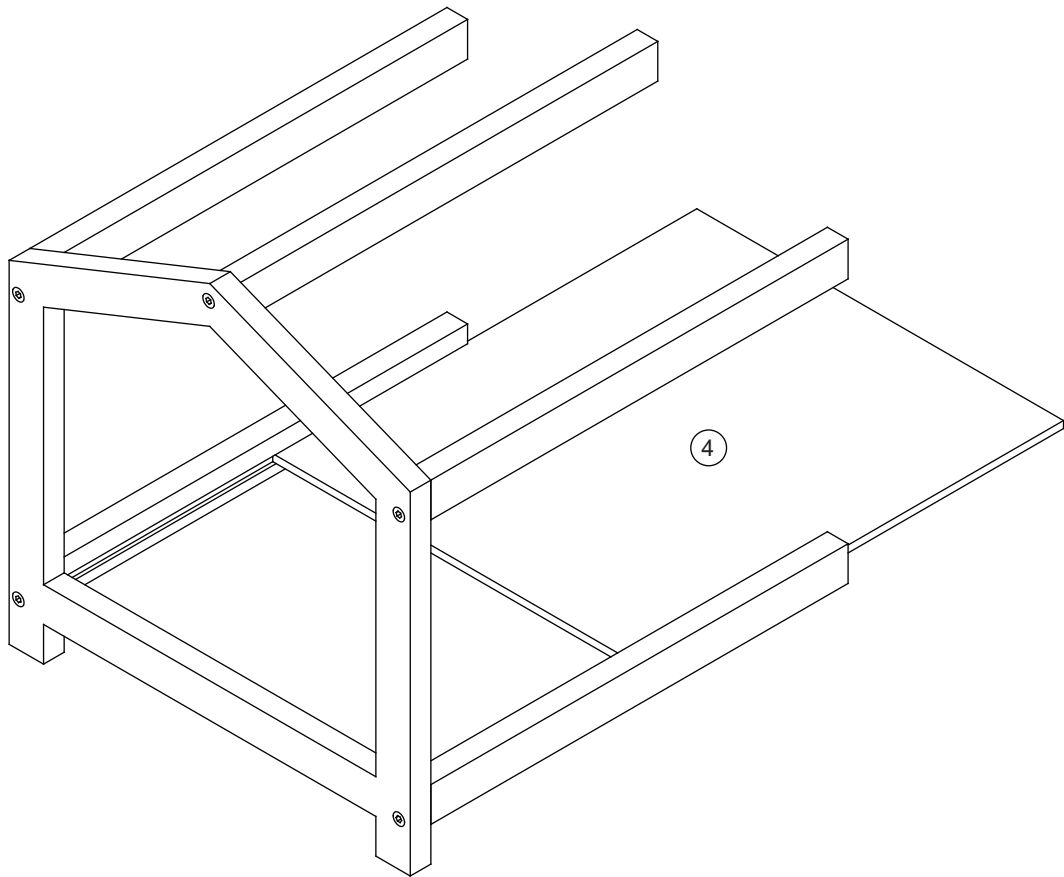


STEP 1

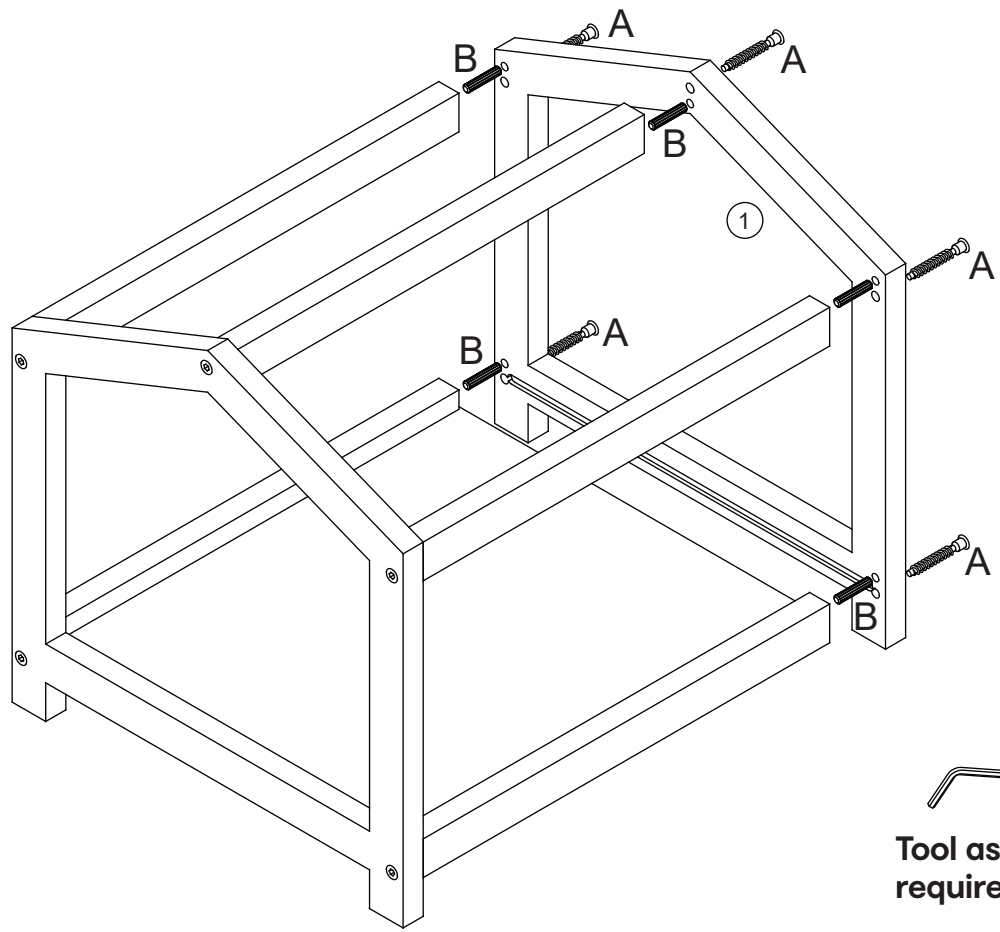


**Tool assembly required**

STEP 2

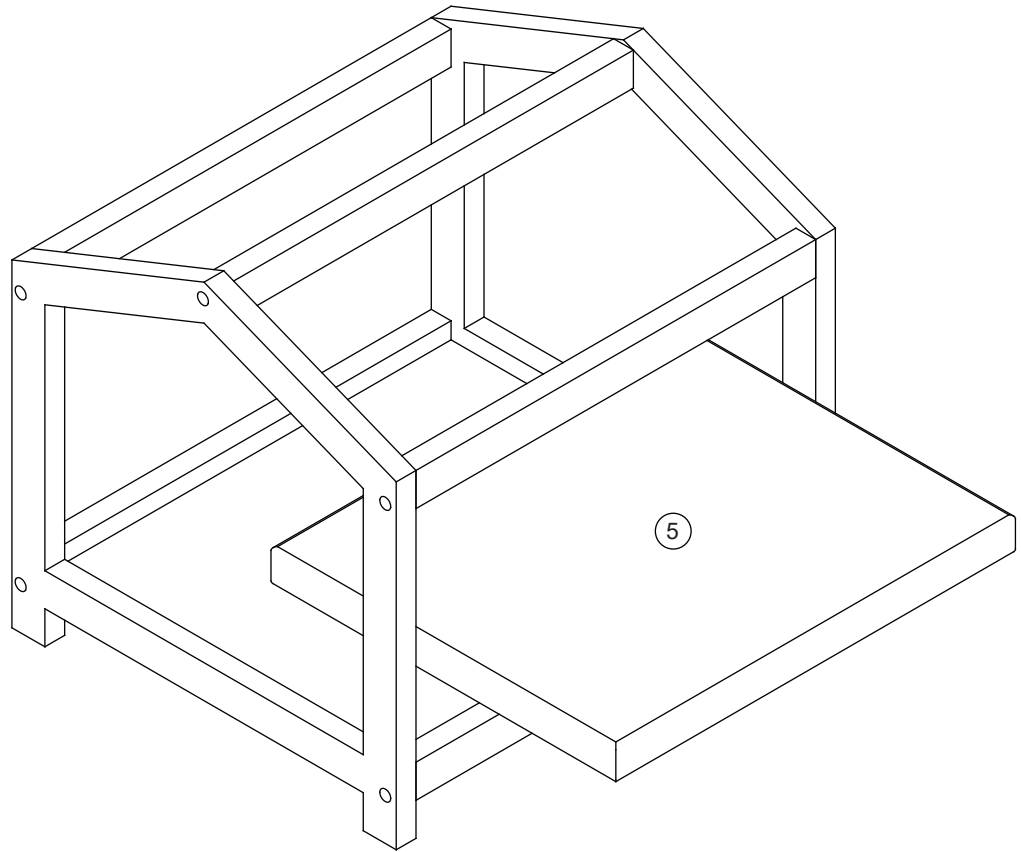


STEP 3



**Tool assembly  
required**

STEP 4



STEP 5

