

# Assembly Instructions





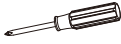
## 43019809 Bamboo hamper with liner

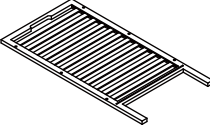
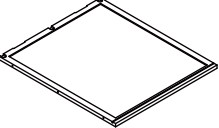
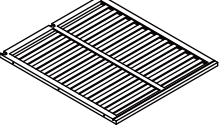
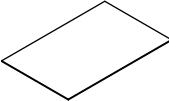
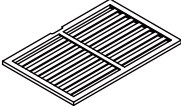
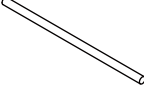
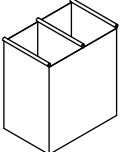
**WARNING:** MAXIMUM TOTAL LOADING WEIGHT: 15KG (10KG FOR THE HAMPER, 5KG FOR THE TOP PANEL).

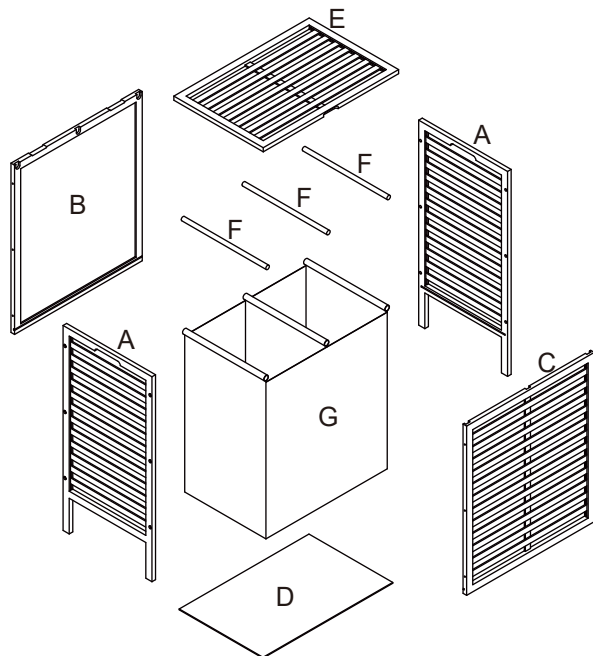
THIS IS NOT A TOY. NOT SUITABLE FOR USE BY CHILDREN.

**CARE INSTRUCTIONS:** REMOVE LINER PRIOR TO WASHING. WARM MACHINE WASH. DO NOT BLEACH. MAY BE TUMBLE DRIED WARM. WARM IRON IF REQUIRED. DO NOT DRY CLEAN.

### Hardware list

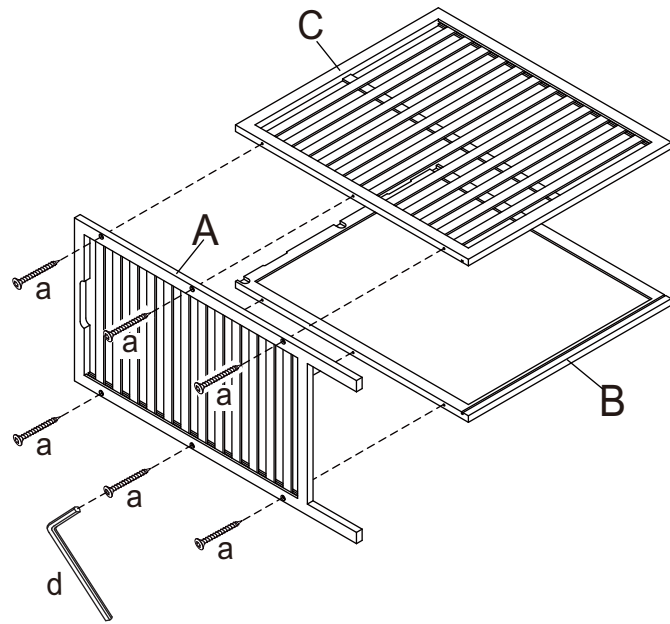
	a	5X30mm	12PCS
	b	3X12mm	12PCS
	c	hinge	2PCS
	d	hex key	1PC
	Tool required Philips Head Screw Driver (Not Provided)		

					
A	2 PCS	B	1 PC	C	1 PC
					
D	1 PC	E	1 PC	F	3 PCS
					
G	1 PC				



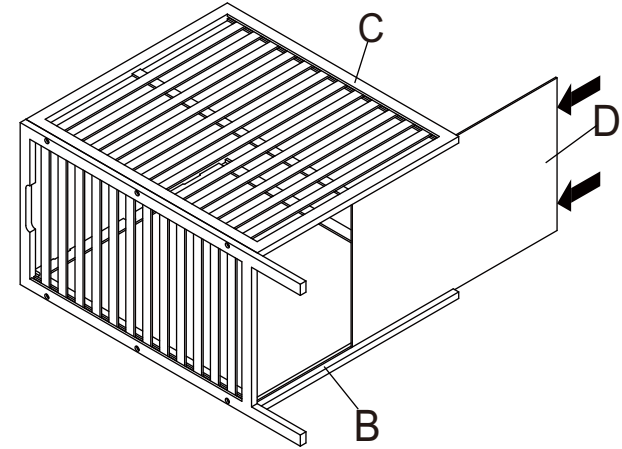
**DO NOT TIGHTEN THE SCREWS UNTIL THE PRODUCT IS FULLY ASSEMBLED. FOR INDOOR USE ONLY.**

### STEP 1

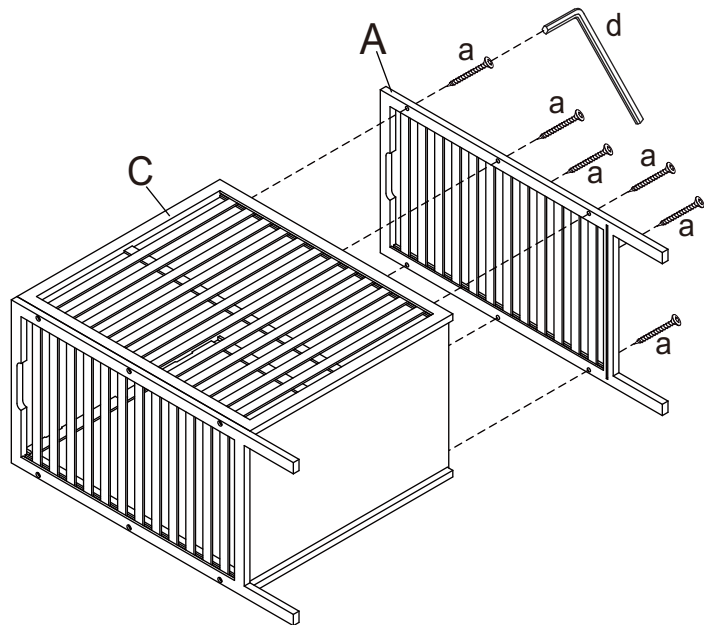


 a X 6

### STEP 2

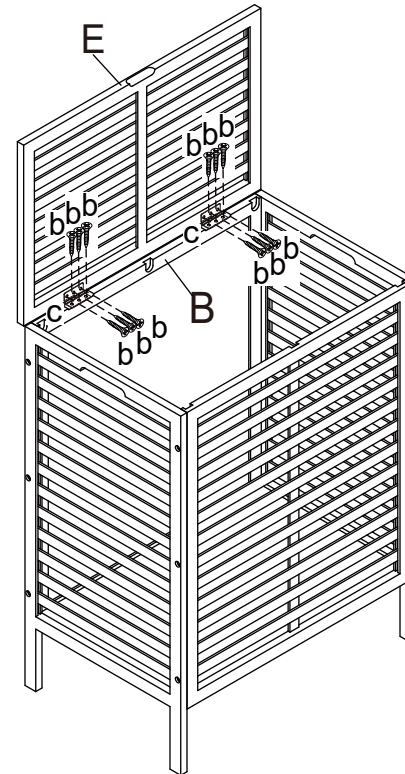


### STEP 3



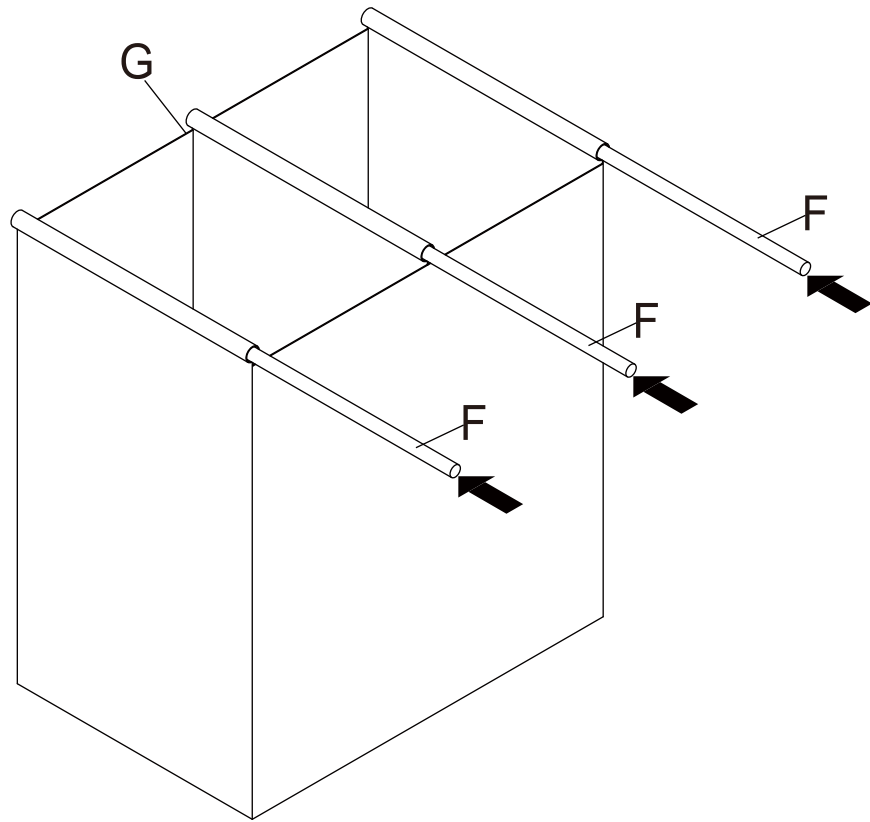
 a X 6

### STEP 4



 b X 12  c X 2

**STEP 5**



**STEP 6**

