







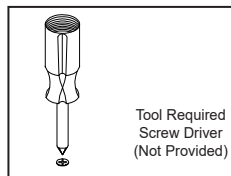
Assembly Instructions

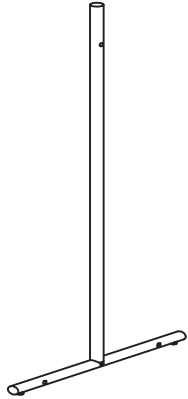







43020904 3 SECTION GARMENT RACK

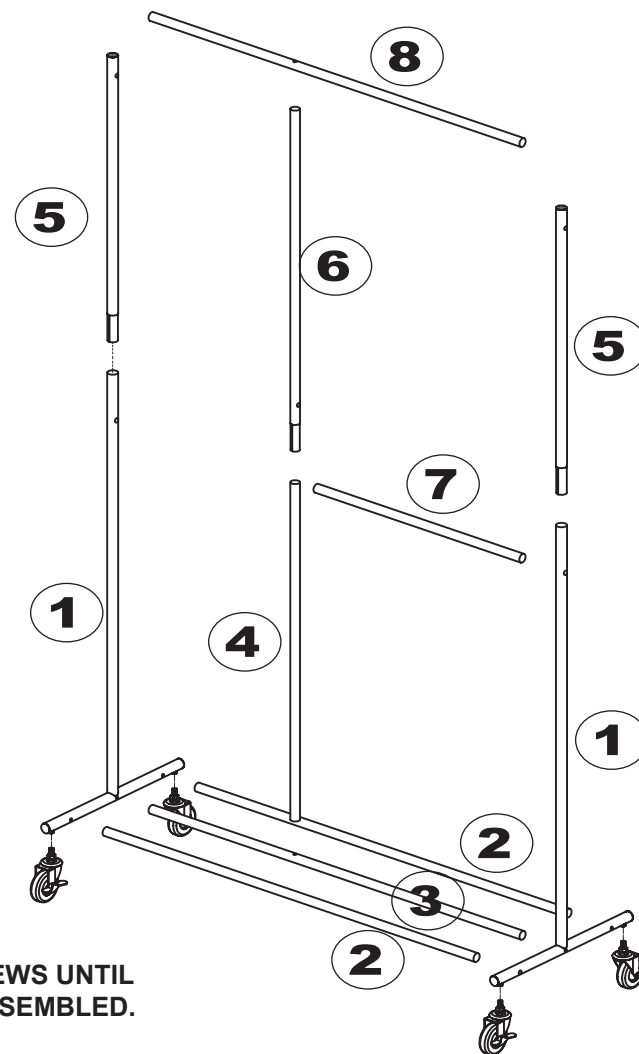
MAXIMUM TOTAL LOADING WEIGHT: 23KG (10KG FOR THE UPPER RAIL, 5KG FOR THE LOWER RAIL & 8KG FOR THE BOTTOM).

Hardware list

	a	Screw	12PCS		d	Wheel	2PCS
	b	Gasket	10PCS		e	Wheel	2PCS
	c	Gasket	4PCS		f	Spanner	1PC



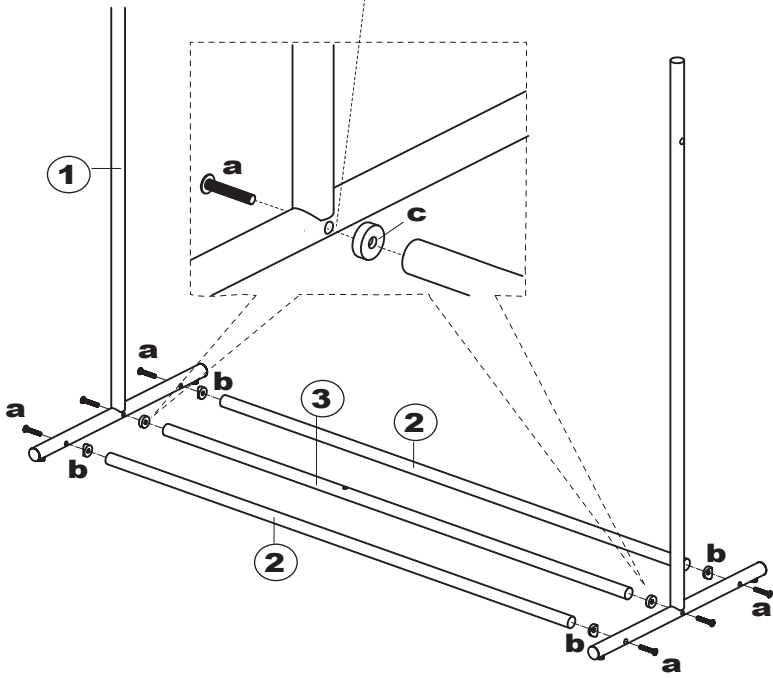
			
① 2PCS	② 2PCS	③ 1PC	④ 1PC
			
⑤ 2PCS	⑥ 1PC	⑦ 1PC	⑧ 1PC



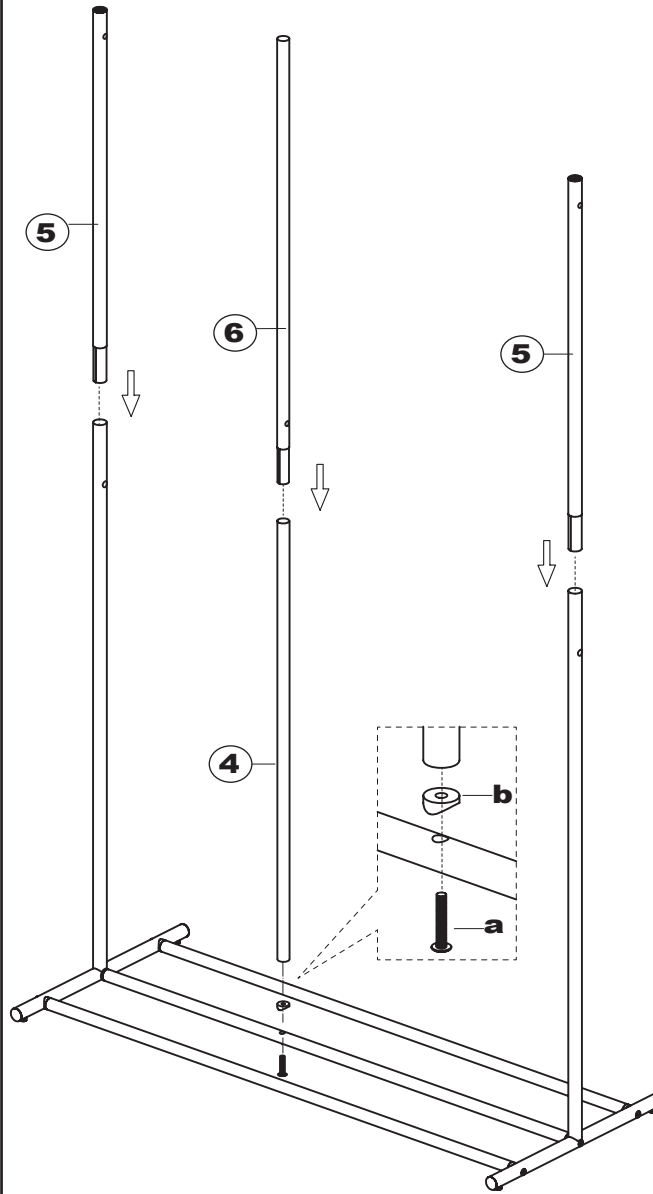
DO NOT TIGHTEN THE SCREWS UNTIL THE PRODUCT IS FULLY ASSEMBLED.
FOR INDOOR USE ONLY.

STEP 1

Add one more part c in the end if there is the gap after assembling.



STEP 2



STEP 3

