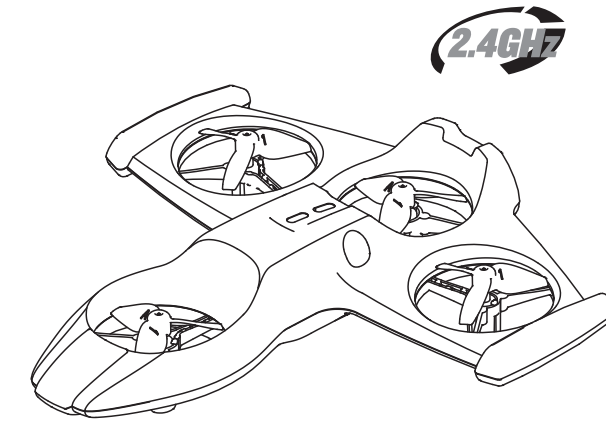


RC STUNT DRONE

MANUAL

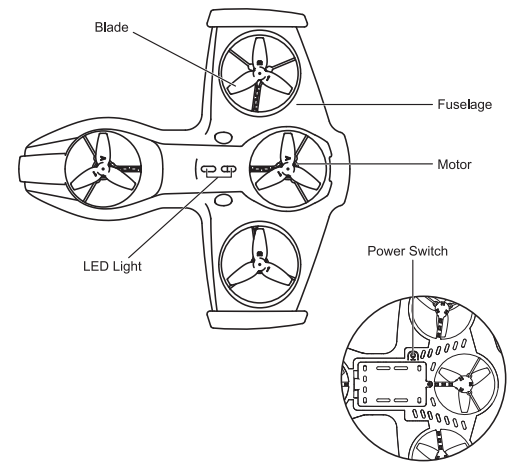
AGES 8+ YEARS

Please read the instructions before operating the product.

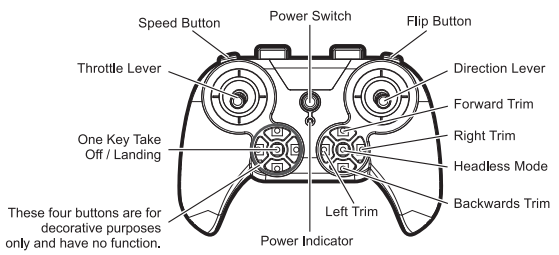


Attention: The included rechargeable battery is not fully charged prior to shipment and must be charged before the first use.

DRONE



REMOTE CONTROL

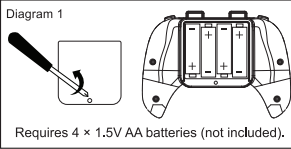


These four buttons are for decorative purposes only and have no function.

BATTERY INSTALLATION

- Unscrew to open battery cover, insert 4 x 1.5V AA batteries. (see Diagram 1)
- Replace battery cover.

Attention: Remove batteries after you have finished using your product.



LITHIUM BATTERY CHARGE INSTRUCTIONS

Attention: Do not charge battery immediately after each play, let the battery cool down for a while.

- Turn off drone.
- Loosen the screw to open battery cover.
- Separate the rechargeable battery pack from connector.
- Connect USB charging cable plug with rechargeable battery. (The battery connector will only fit in one way, do not force the connectors together)
- Put the cable into the computer USB interface. The USB indicator light up when it has started charging.
- Once the indicator light turns off, the battery is fully charged. Unplug the USB charging cable from computer USB interface and disconnect with battery.
- Connect rechargeable battery with drone and replace the battery cover.

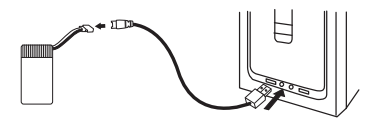


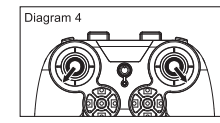
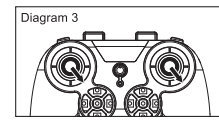
Diagram 2

CONTROL METHOD

Attention: Select a large, wide-open area for flying, and make sure that there are no obstructions, animals, people or overhead powerlines nearby. Do not operate the drone in strong wind, rain or snow etc.

- Press and hold the drone power switch a second to turn on the drone, the LED light on drone will be flashing. Ensure you are at least 2 metres from the back of drone.
- Set the power on the remote control to "ON".
- Push the throttle lever up, you will hear one beep sound. After this, push it down and you will hear a beep sound again. If the power indicator on the drone stops flashing, the pairing is successful. If pairing is not successful, please repeat steps 1-3.

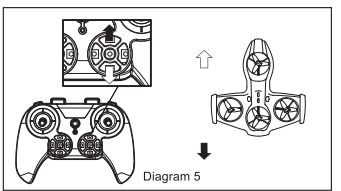
- The drone's gyroscope needs to be calibrated after pairing. Pull the throttle lever and direction lever to the lower right at the same time (see Diagram 3). You will hear one beep sound and the LED light on drone will change from flashing to steady lighting. This means that the calibrating is successful.
- There are two ways to take off the drone:
Normal mode: Pull the throttle lever to the lower left and the direction lever to the lower right at the same time (see Diagram 4), the drone will unlock while the propeller starts to work.
Altitude hold mode: No need to unlock the drone, press the one key take off / landing button after pairing the drone. The drone will automatically rise to a height of about 1.5 metres. Now you can operate your drone.



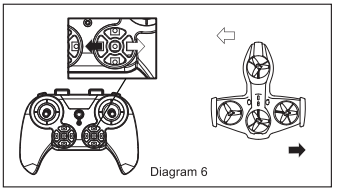
HOW TO TRIM THE DRONE

Slowly raise the throttle stick and let the drone lift-off the ground, you can use the trim to correct the action if the drone leans to the wrong direction.

- If the drone drifts forward, press the backwards trim button as shown in Diagram 5 to trim it backwards until it stops drifting.
If the drone drifts backwards, press the forward trim button as shown in Diagram 5 to trim it forward until it stops drifting.



- If the drone drifts to left, press the right trim button as shown in Diagram 6 to trim it to right until it stops drifting.
If the drone drifts to right, press the left trim button as shown in Diagram 6 to trim it to left until it stops drifting.



HOW TO LAND THE DRONE

There are two ways to land the drone.

- Press the one key take off / landing button to land the drone.
- Hold the throttle lever down until the drone land on the ground.

Tips: When the drone is in operation on the ground, pull the throttle lever to the lower right and the direction lever to the lower left at the same time to lock the drone. (see Diagram 7)



Diagram 7

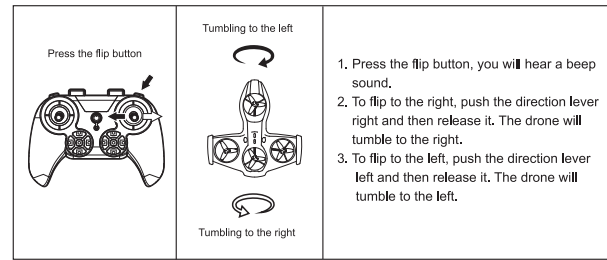
CONTROL METHOD OF THE DRONE

Throttle		Push up the throttle lever slowly, the drone will ascend. Pull down the throttle lever slowly, the drone will descend.
Rudder		Move the throttle lever to left, the drone will rotate anticlockwise. Move the throttle lever to right, the drone will rotate clockwise.
Elevator		Push up the direction lever, the drone will fly forward. Pull down the direction lever, the drone will fly backwards.
Aileron		Move the direction lever to left, the drone will fly to the left. Move the direction lever to right, the drone will fly to the right.

Tip: The LED light will flash slowly when the drone is low in battery. Please recharge the battery when the light is flashing.

FLIPPING THE DRONE

Tip: Ensure the drone flying height is at least 3 metres from the ground when you perform a 360 degree flip function.



- Press the flip button, you will hear a beep sound.
- To flip to the right, push the direction lever right and then release it. The drone will tumble to the right.
- To flip to the left, push the direction lever left and then release it. The drone will tumble to the left.

HEADLESS MODE

In headless mode, any side of the drone can be treated as the front of the drone.

How to transfer normal state to headless mode:

- You can enter headless mode during stable flying or before flying.
- Press the headless mode button, you will hear a beep sound, the LED light on drone will flash rapidly, that means the drone has entered headless mode. You can play the drone under headless mode now.
- Press the headless mode button again, you will hear a beep sound, the LED light on drone will be lit, the drone will turn back to the normal flying mode.

HOW TO CHANGE THE SPEED MODE

- Low speed mode: It is the default speed mode of drone.
- Medium speed mode: Press the speed button, the drone will be in the medium speed mode when you hear two beep sounds.
- High speed mode: Press the speed button again, the drone will be in the high speed mode when you hear three beep sounds. Press the speed button again, the drone will go back to the low speed mode when you hear a beep sound.

WARNING

- Please follow the instructions for correct installation and use. Some parts require assembly by an adult.
- The product contains small parts and is a choking hazard.
- Do not touch the hot motor and batteries.
- Do not touch working propellers.
- Do not fly towards yourself, other people or animals.
- Adult supervision is required.
- Throw away the packaging material straight away, as this can cause harm to children.
- Non rechargeable batteries are not rechargeable.
- To charge the rechargeable battery, it will need to be done by an adult.
- Do not mix old and new batteries or batteries of different types.
- Do not short circuit the battery or put the battery in fire.
- Do not leave the toy unattended while charging it.
- When the battery is low, please stop using and recharge it.
- Charge the toy on non-flammable surface and keep it away from flammable items.
- Turn the charger off when the toy's battery is charged, and always unplug it from the toy.
- If the toy has been damaged, immediately stop use, unplug, and safely move the toy away from flammable materials.
- Follow the manufacturer's instructions for charging the toy. Do not charge longer than recommended.
- Do not use the product for a long time, Remove the battery.
- To avoid injury, do not touch the rotating parts.
- Do not impact or drop the drone or remote control.
- Please use a clean soft cloth to clean the product.
- The user has the responsibility to ensure that the product will not cause harm to themselves or others.
- The manufacturers and dealers do not bear any responsibility for injuries or damage to property caused by improper use.
- The packaging and instructions contain important information of products, please keep for future reference.
- Only fly during the day and keep your drone within visual line-of-sight. This means being able to see the drone with your own eyes (rather than through a device) at all times.
- Do not fly your drone higher than 120 metres (400ft) above the ground.
- Keep your drone at least 30 metres away from other people.
- Do not fly your drone over or near an area affecting public safety or where emergency operations are underway (without prior approval). This could include situations such as a car crash, police operations, a fire and associated firefighting efforts, and search and rescue.
- Only fly one drone at a time.
- Do not fly over or above people. This could include beaches, parks, events, or sport ovals where there is a game in progress.
- Keep at least 5.5km away from controlled aerodromes if your drone weighs more than 100g. Flying within 5.5km of a non-controlled aerodrome or drone landing site (HLS) is possible, but only if no manned aircraft are operating to or from the aerodrome. If you become aware of manned aircraft operating to or from the aerodrome/HLS, you must manoeuvre away from the aircraft and land as soon as safely possible.
- Do not operate your drone in a way that creates a hazard to another aircraft, person or property.
- Respect personal privacy do not record or photograph people without their consent—this may breach state laws.
- Important information for drone users.
Drone must be kept in clear sight of the operator's own eyes and not through a device (such as VR goggles) at all times. For more information on drone use, please see droneflyer.gov.au