





















Assembly Instructions

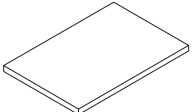
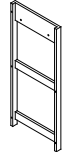
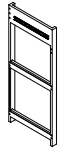
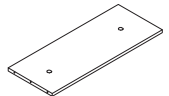
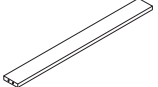
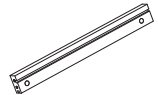
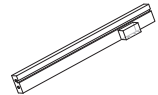
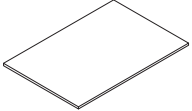
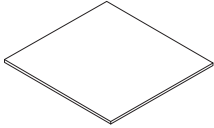
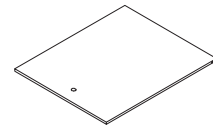
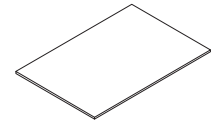
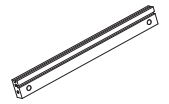
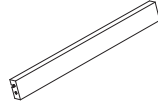
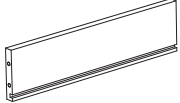
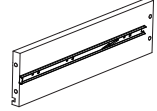
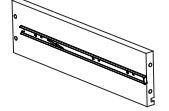
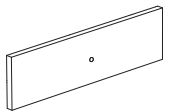
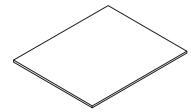
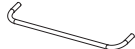
43022847 GREY BENCH PREP KITCHEN TROLLEY

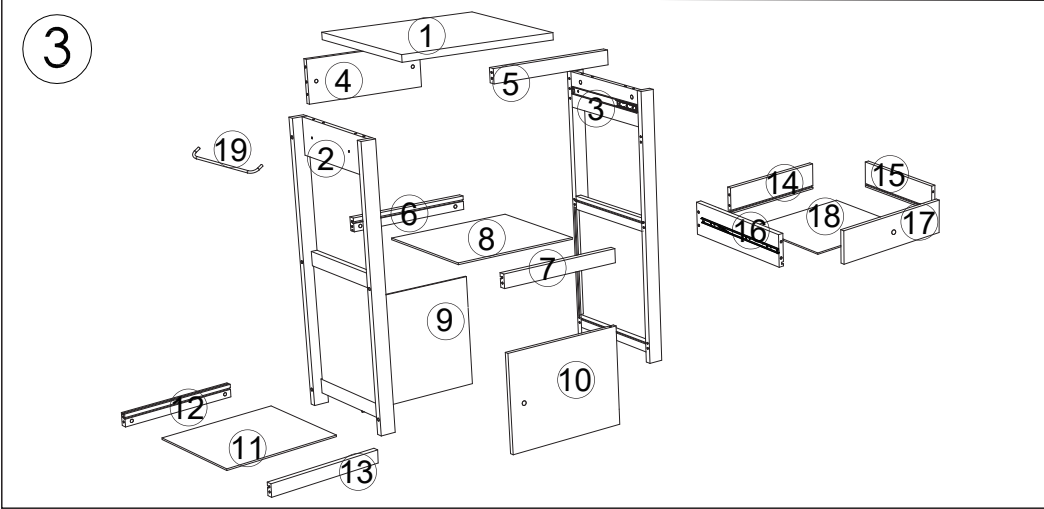
CARE INSTRUCTIONS: WIPE CLEAN WITH A SOFT DAMP CLOTH. WHEN USE THE TOP AS A CHOPPING SURFACE, LOCK ALL WHEELS AND PLACE THE TROLLEY AGAINST WALL OR OTHER FIXED UNIT TO AVOID UNINTENDED MOVING. CHECK AND TIGHTEN ALL PARTS REGULARLY. FOR INDOOR AND DOMESTIC USE ONLY.

WARNING: DO NOT STAND ON THE BENCH. DO NOT USE THE BENCH AS A STEP LADDER. DO NOT USE THE BENCH UNLESS ALL BOLTS AND SCREWS ARE FIRMLY SECURED. DO NOT DRAG WHEN MOVING THE BENCH TO AVOID DAMAGING THE JOINTS. FAILURE TO FOLLOW THESE WARNINGS COULD RESULT IN SERIOUS INJURY. THIS PACKAGE CONTAINS SMALL PARTS AND SHARP POINTS. KEEP AWAY FROM CHILDREN AND BABIES UNTIL ASSEMBLY IS COMPLETE. ADULT ASSEMBLY REQUIRED.

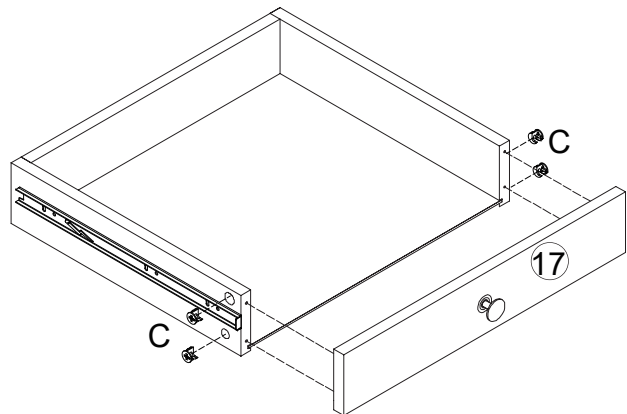
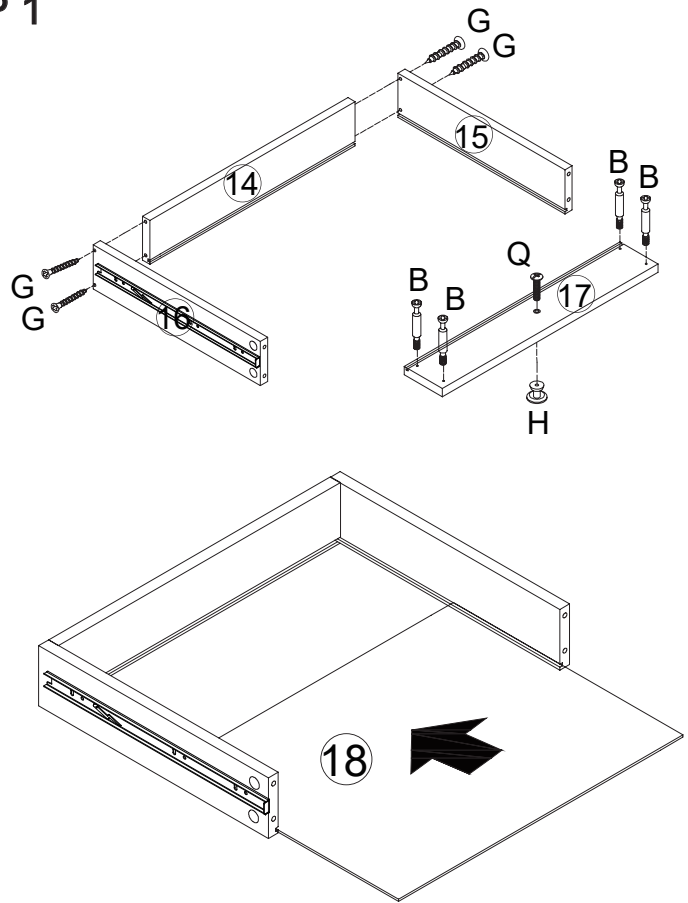
MAXIMUM SAFE LOAD: 10KGS FOR TOP BOARD, 5KGS FOR DRAWER. 10KGS FOR SHELF, 1.5KGS FOR HOOK.

1		A	∅6x30mm	20PCS		L	2PCS
		B	∅6x35mm	8PCS		M	2PCS
		C	∅15mm	8PCS		N	∅6x32mm 4PCS
		D	∅3x11mm	9PCS		O	2PCS
		E	∅5x73mm	10PCS		Q	∅4x20mm 4PCS
		F	∅5x10mm	10PCS		R	∅3x14mm 8PCS
		G	∅4x35mm	4PCS		S	3PCS
		H	∅3x22mm	2PCS		U	1PC
		I	34x12x1.2mm	1PC		T	1PC
		J	∅5x9mm	4PCS		X	1PC

2		①	1PC
		②	1PC
		③	1PC
		④	1PC
		⑤	1PC
		⑥	1PC
		⑦	1PC
		⑧	1PC
		⑨	1PC
		⑩	1PC
		⑪	1PC
		⑫	1PC
		⑬	1PC
		⑭	1PC
		⑮	1PC
		⑯	1PC
		⑰	1PC
		⑱	1PC
		⑲	1PC

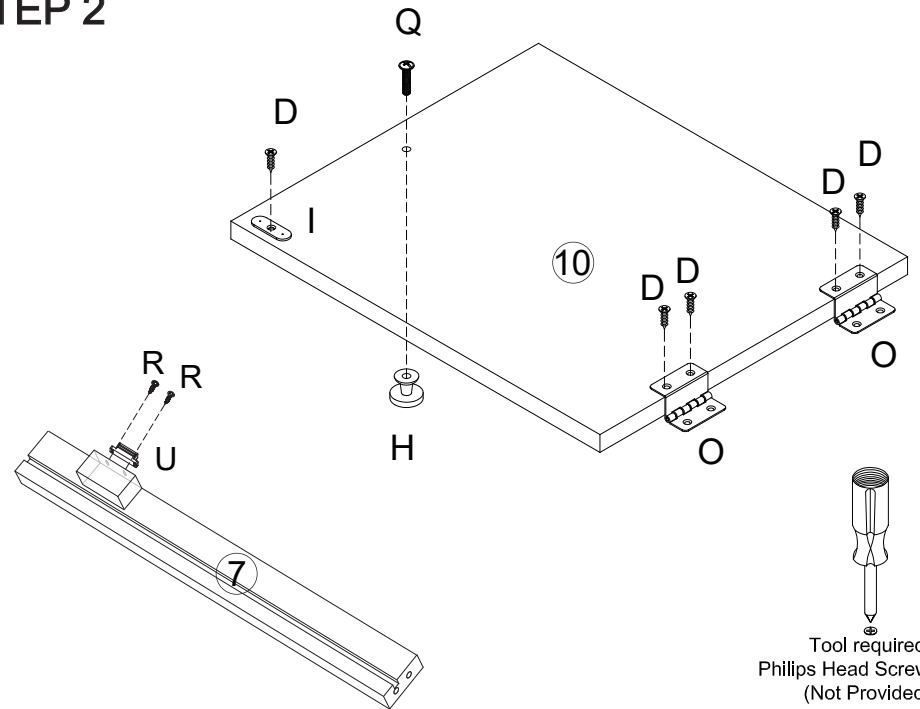


STEP 1



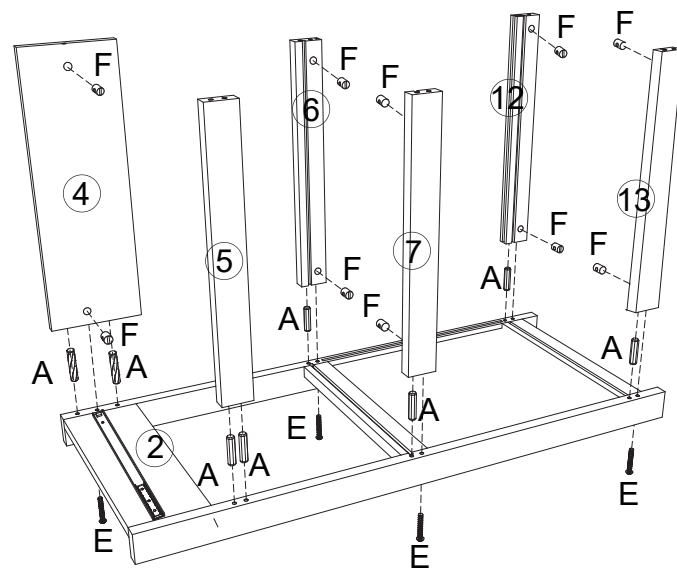
Tool required
Philips Head Screw Driver
(Not Provided)

STEP 2



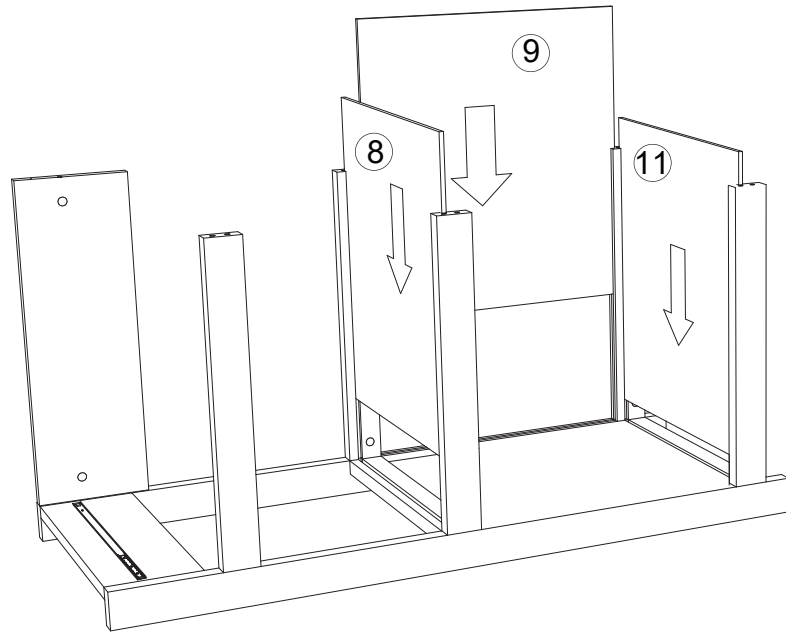
Tool required
Philips Head Screw Driver
(Not Provided)

STEP 3

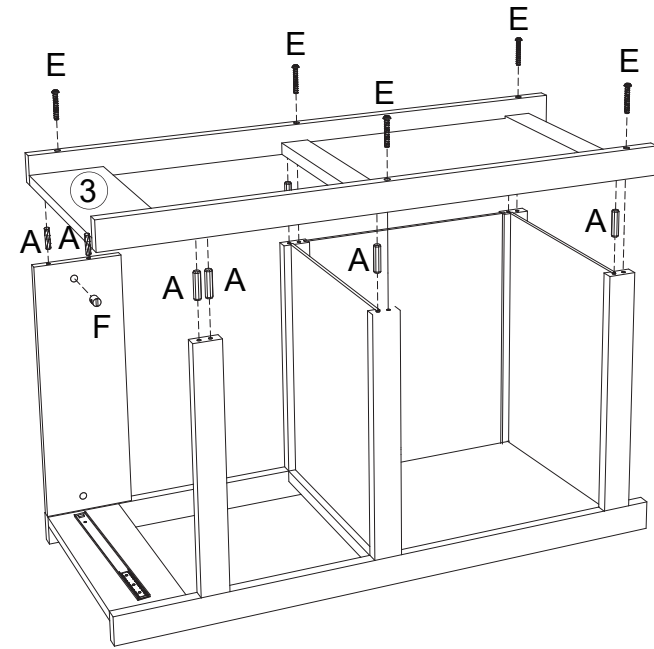


Tool required
Philips Head Screw Driver
(Not Provided)

STEP 4

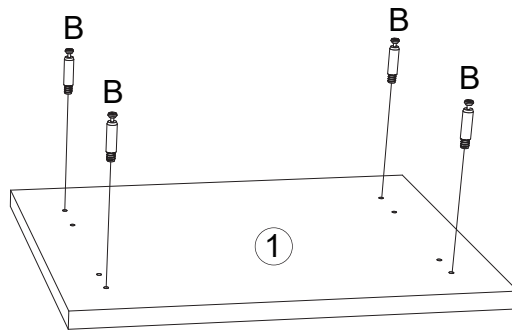


STEP 5

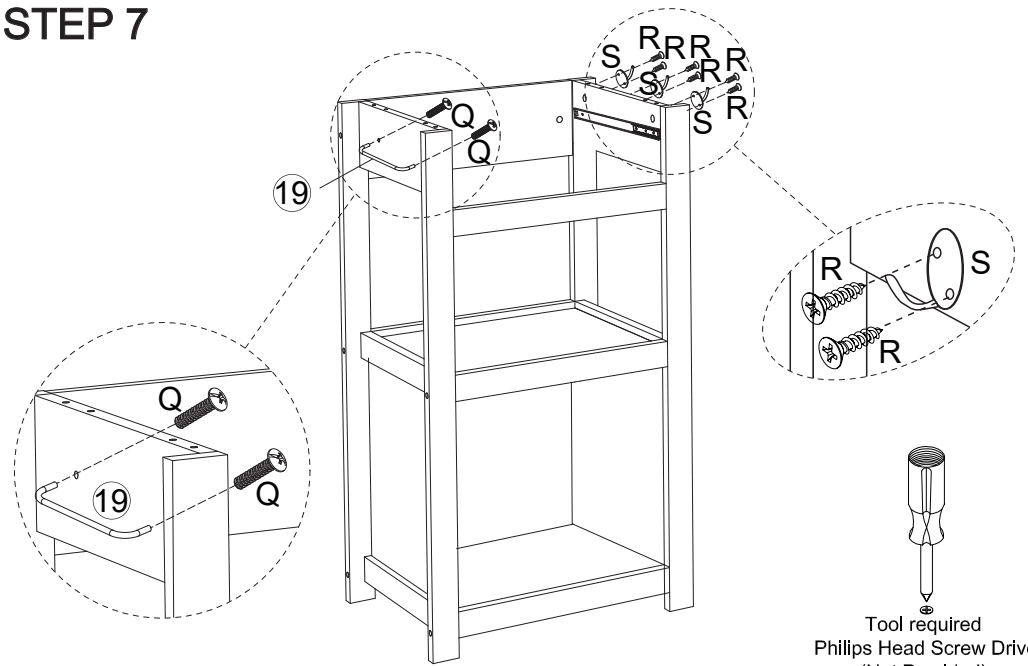


Tool required
Phillips Head Screw Driver
(Not Provided)

STEP 6

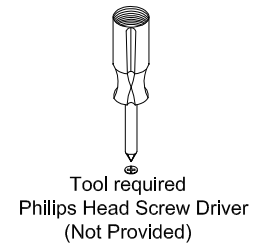
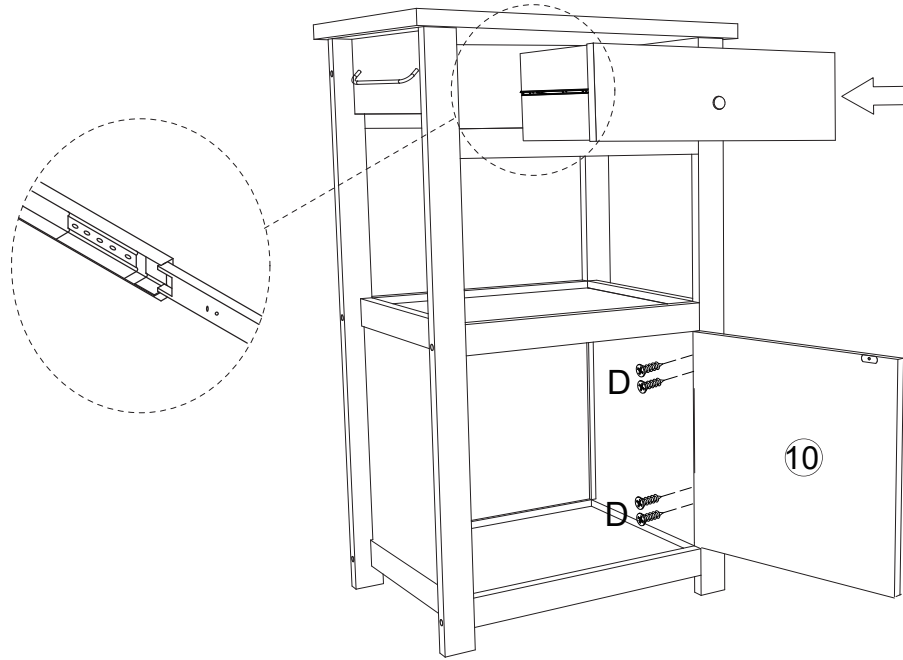
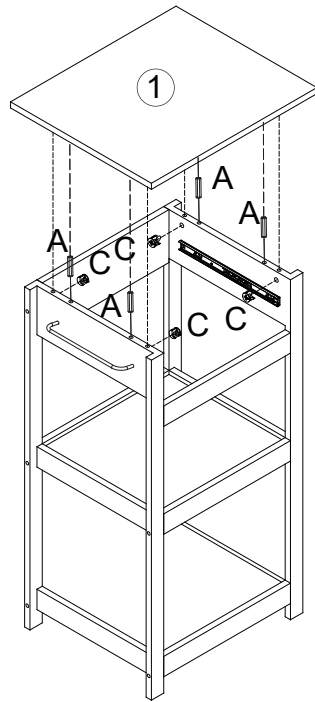


STEP 7



Tool required
Phillips Head Screw Driver
(Not Provided)

STEP 8



STEP 9

