



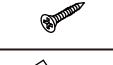

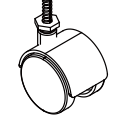
# Assembly Instructions

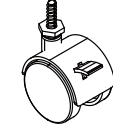


## 43024261 SLATTED BAMBOO 3 DRAWERS ON WHEELS

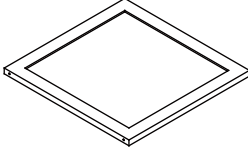
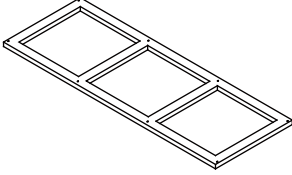
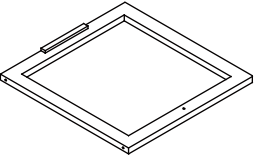
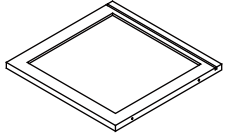
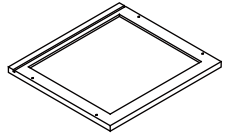
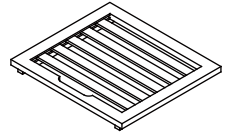
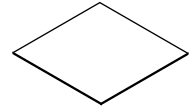
**WARNING:** DO NOT USE THIS UNIT UNLESS ALL BOLTS AND SCREWS ARE FIRMLY SECURED. DO NOT KNOCK OR DRAG THIS UNIT. USE ONLY ON A FLAT SURFACE. FAILURE TO FOLLOW THESE WARNINGS COULD RESULT IN SERIOUS INJURY. THIS PACKAGE CONTAINS SMALL PARTS AND SHARP POINTS, KEEP AWAY FROM CHILDREN AND BABIES.

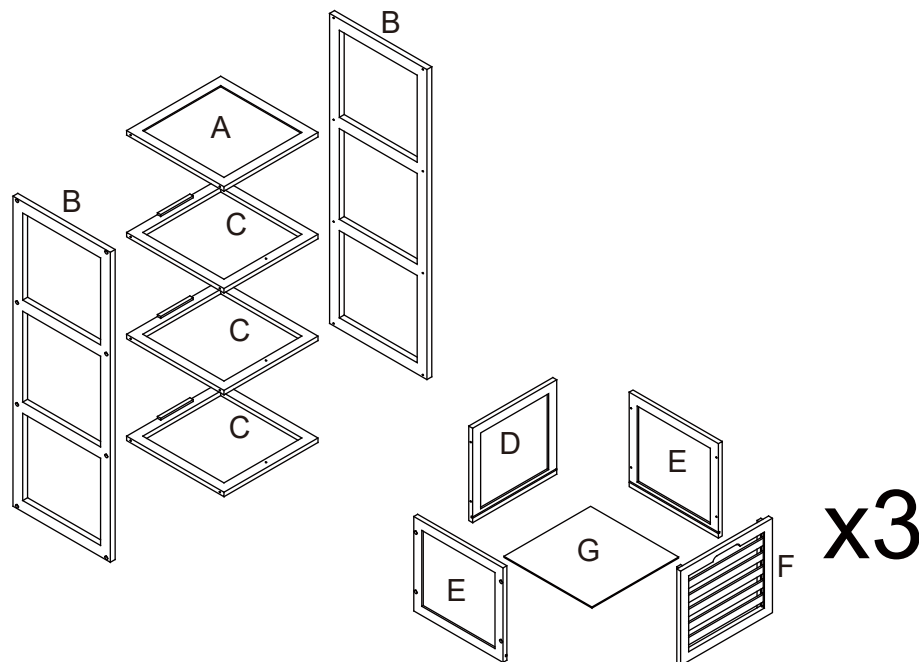
**MAXIMUM TOTAL LOADING WEIGHT:** 2KGS EACH DRAWER AND 3KGS FOR TOP PANEL, 9KGS IN TOTAL.

### Hardware list

	a	5X30mm	16PCS
	b	4X20mm	24PCS
	c	3X10mm	3PCS
	d		3PCS
	e		2PCS

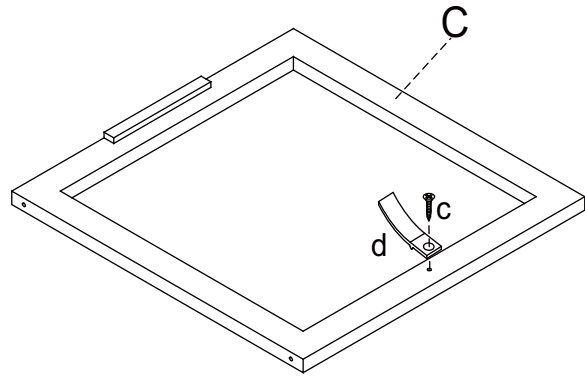
	f		2PCS
	g		1PC
	h		1PC

	A	1PC		B	2PCS		C	3PCS
	D	3PCS		E	6PCS		F	3PCS
	G	3PCS						



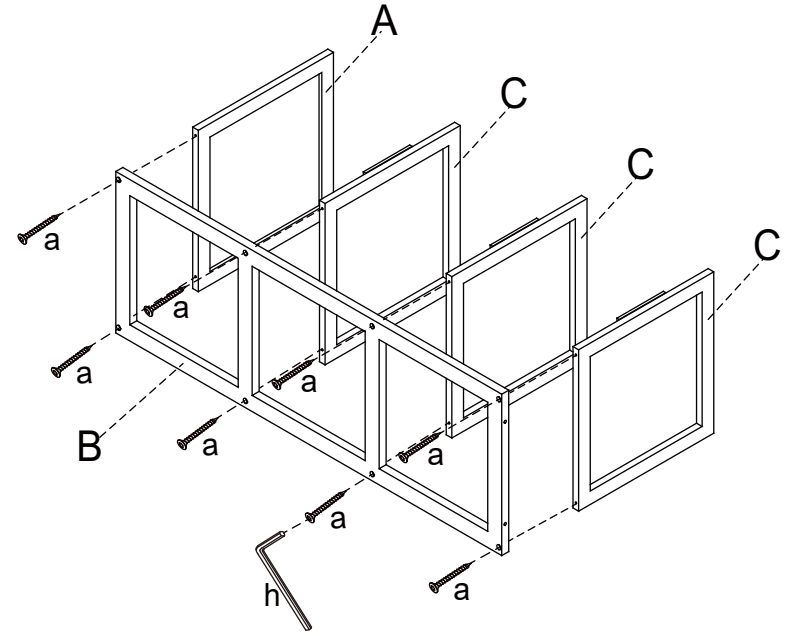
Do not tighten the screws fully during assembly.  
Fully tighten screws after the final assembly steps

STEP 1

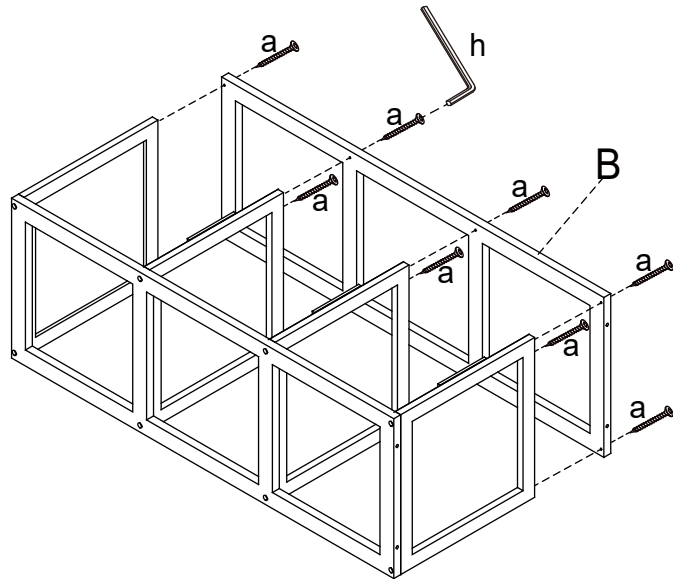


x3

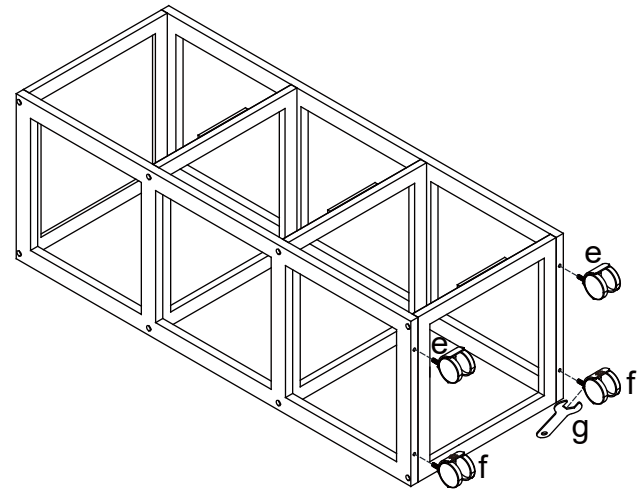
STEP 2



STEP 3

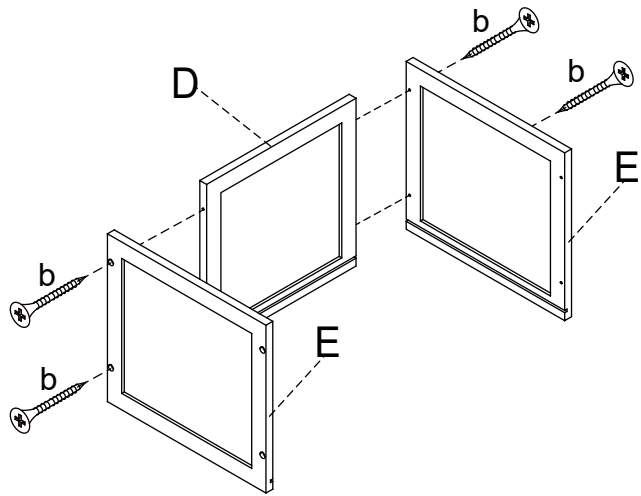


STEP 4



STEP 5

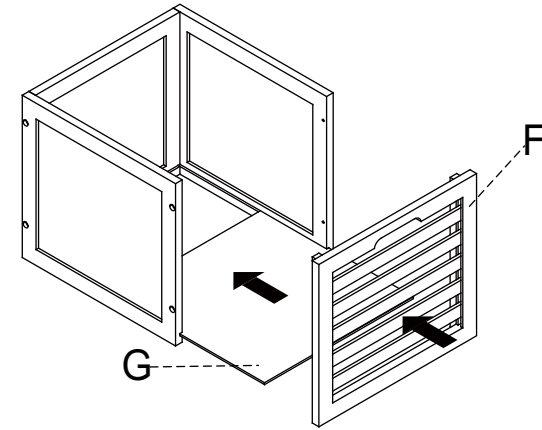
 X12



x3

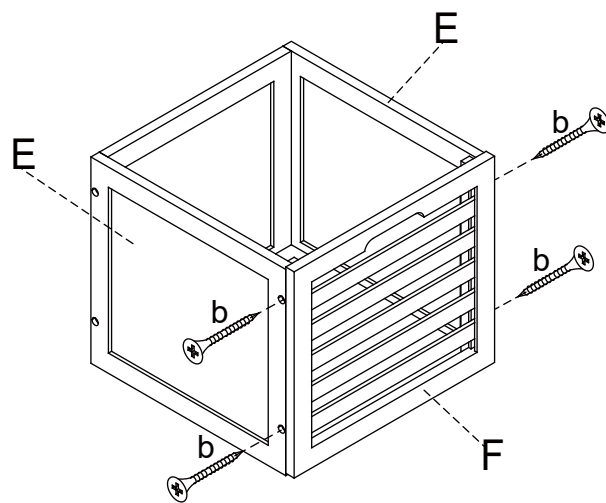
STEP 6

x3



STEP 7

 X12



x3

STEP 8

