



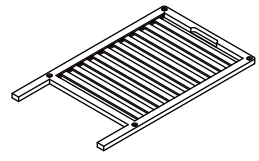
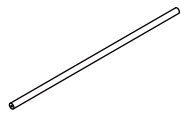
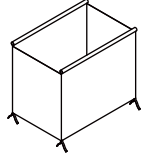
Assembly Instructions

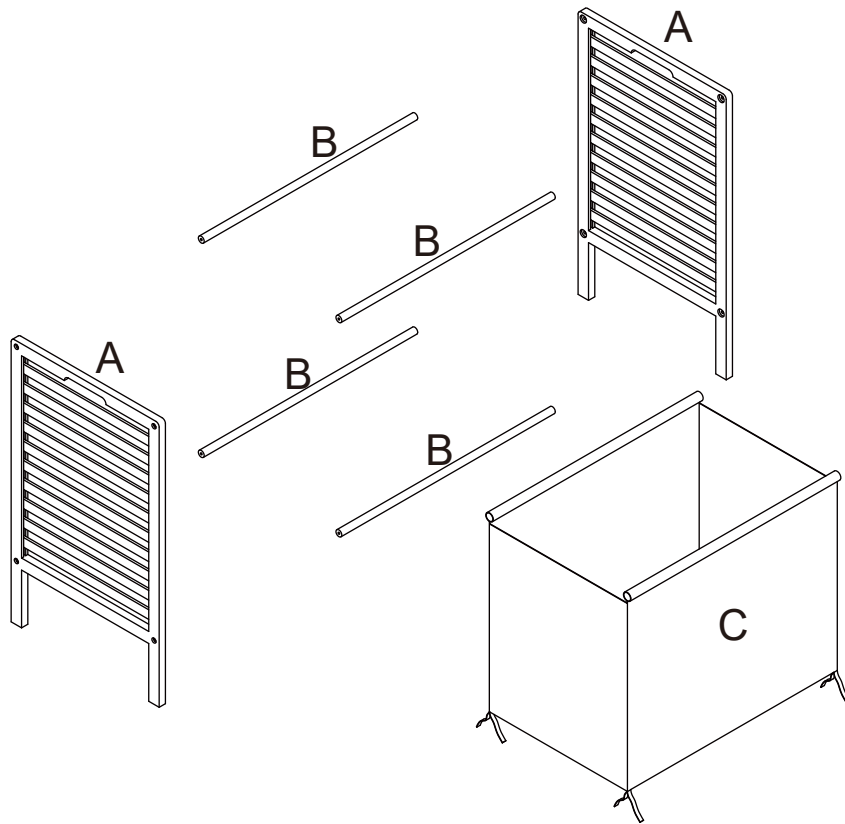
43027118 BAMBOO OPEN HAMPER

WARNING: MAXIMUM TOTAL LOADING WEIGHT: 10KG

Hardware list

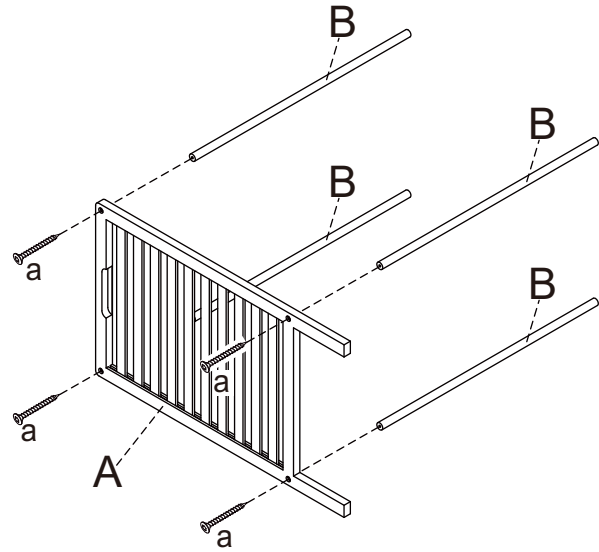
	a	5X30mm	8PCS
	b	hex key	1PC

					
A	2 PCS	B	4 PCS	C	1 PC

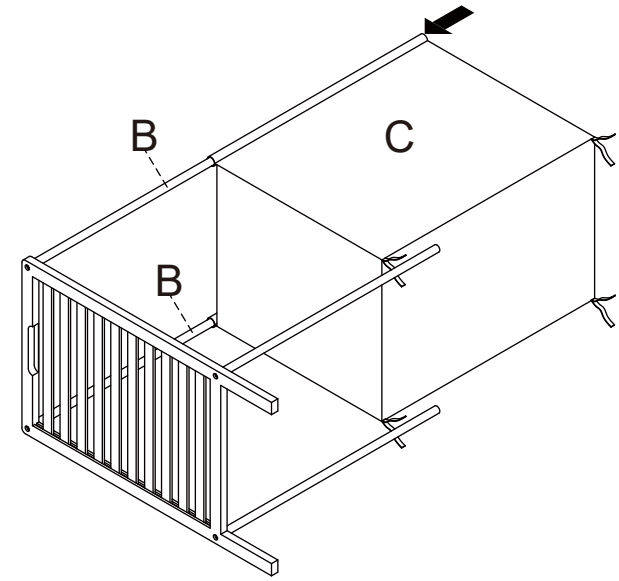


DO NOT TIGHTEN THE SCREWS UNTIL THE PRODUCT IS FULLY ASSEMBLED. FOR INDOOR USE ONLY.

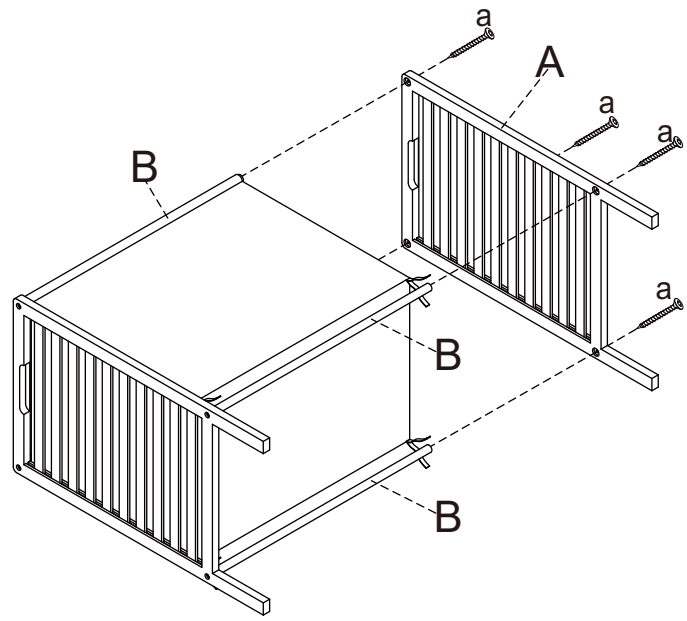
STEP 1



STEP 2



STEP 3



STEP 4

