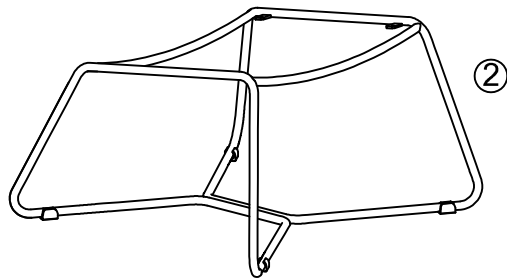
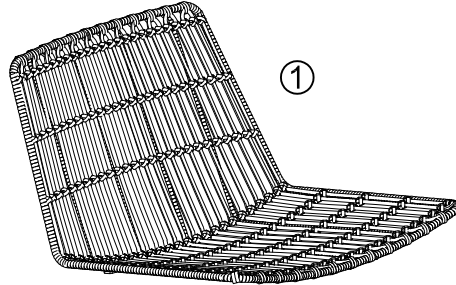


ASSEMBLY INSTRUCTIONS

Please read instructions carefully. Remove all wrapping material, staples and packing straps from the carton. See Hardware and Furniture Parts List for guidance. Be sure you have all parts before you start assembling. Place all furniture parts on a clean and flat soft surface, such as carpet or rug to prevent from being scratched. Wipe clean with a soft damp cloth. Do not use abrasive material and solvents. Keep away from water and direct sunlight. For domestic use.

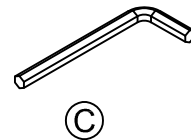
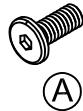
PARTS INCLUDED

- 1. Seat frame : 1pc
- 2. Leg frame : 1pc



HARDWARE LIST

- A. Bolt : 4pcs
- B. Washer : 4pcs
- C. Hex key : 1pc



WARNING:

Adult assembly is required.

Unassembled parts contain screws and with functional sharp points, please keep unassembled parts away from small children.

Do not stand on the product. Use only on a flat surface.

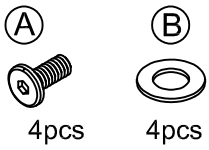
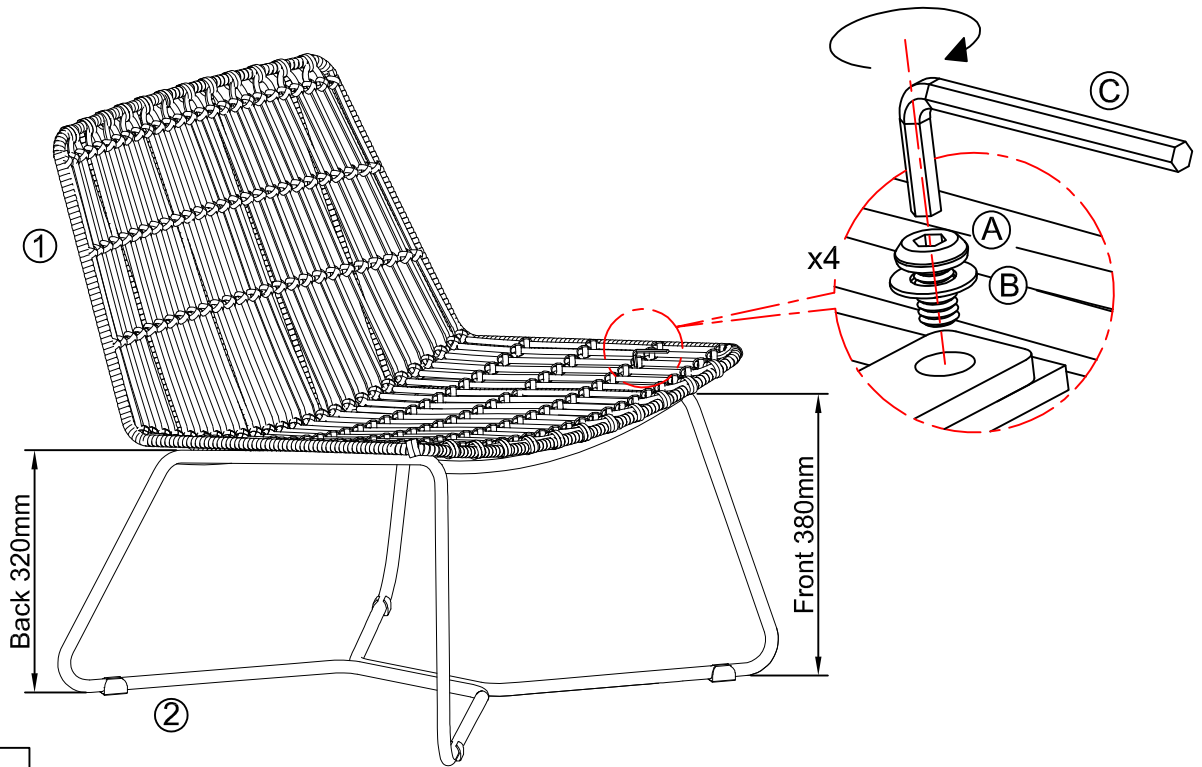
PLEASE CHECK CONDITION OF ITEM REGULARLY, AS SCREWS MAY LOOSEN WITH USE OVER TIME. TIGHTEN SCREW FITTINGS IF NECESSARY.

FOR ASSEMBLY

- First, check the contents to make sure that nothing is missing.
- Sort out the parts and fittings as shown, assemble product step by step.
- It is preferable to rest the product on a soft surface to avoid damage during assembly.
- Do not overtighten screws and fittings.
- Re-tighten all screws and fittings periodically.

ASSEMBLY INSTRUCTIONS

STEP 1



STEP 2

