

Assembly Instruction

43029693 PARQUETRY BEDSIDE TABLE

CARE INSTRUCTION:









Keep away from water and direct sunlight. For indoor and domestic use. Wipe clean with a soft dry cloth. Check and tighten all parts regularly.




WARNING:

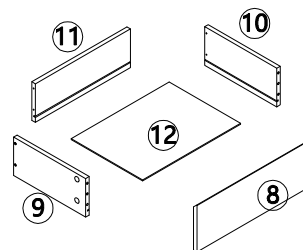
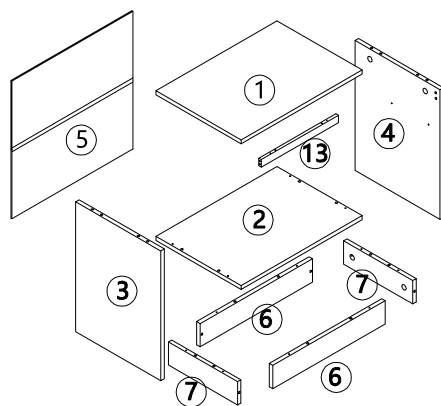
Do not stand or sit on the unit. Do not lean on the product. Do not drag the product. Use only on a flat surface. Do not use until all screws, bolts and knobs are firmly secured. Load the drawer evenly to prevent it from tipping over. This product contains small parts and sharp points, keep away from children and babies. Adult assembly required. Failure to follow these warnings could result in serious injury.

MAXIMUM SAFE LOAD: 5kg FOR TOP,5kg FOR DRAWER ,5kg FOR BOTTOM.

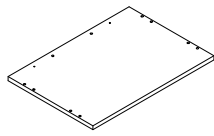
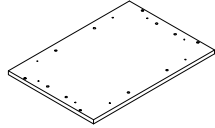
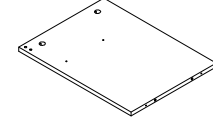
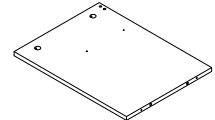
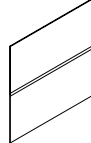
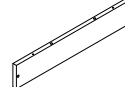

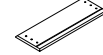

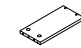


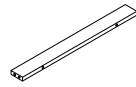
Hardware List

	A	6x35mm	12pcs
	B	15x9.5mm	12pcs
	C	6x30mm	24pcs
	D	4x35mm	10pcs
	E	4x55mm	8pcs
	F	250mm	1pc
	G	250mm	1pc
	H	250mm	1pc

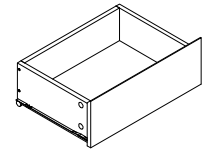
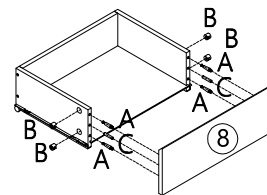
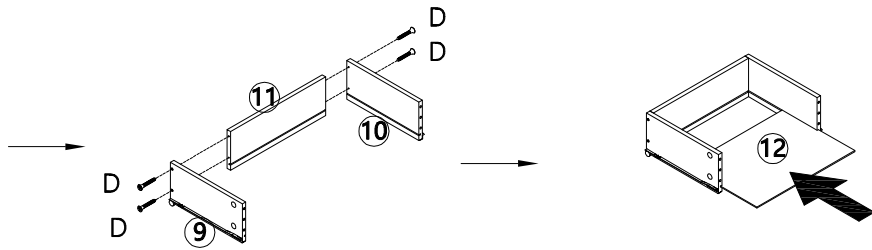
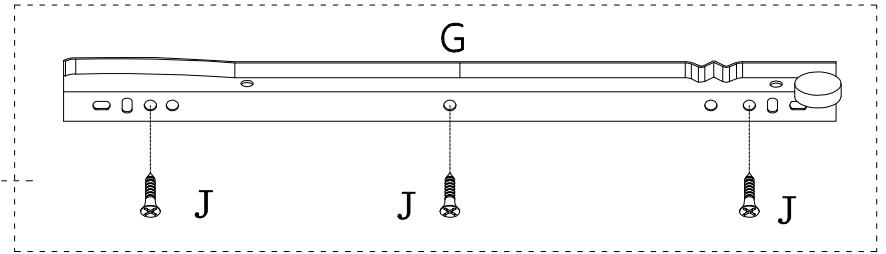
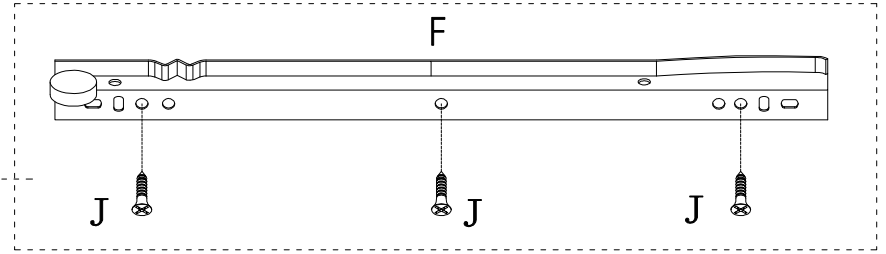
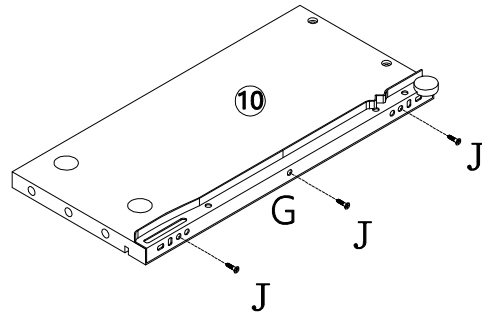
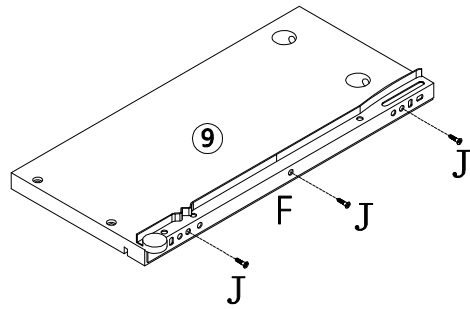
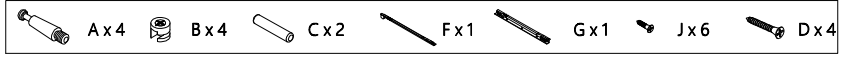
	I	250mm	1pc
	J	3x12mm	12pcs
	K	2x16mm	10pcs



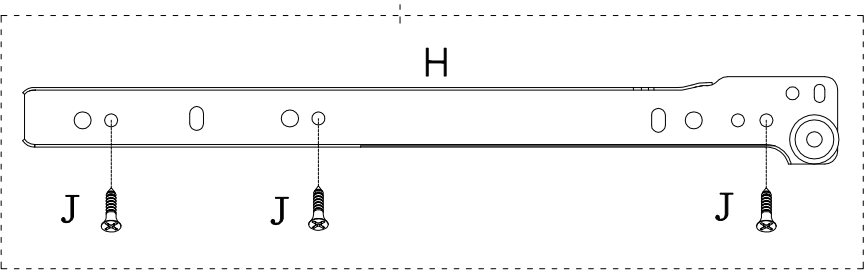
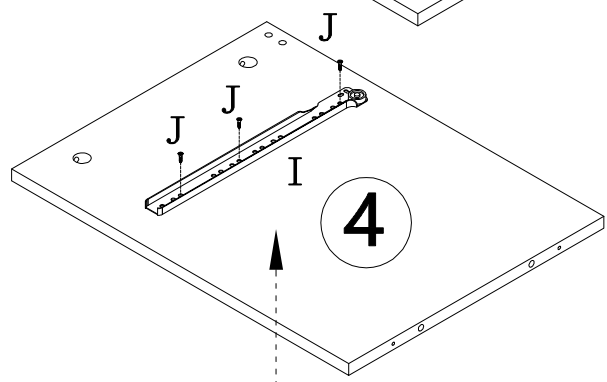
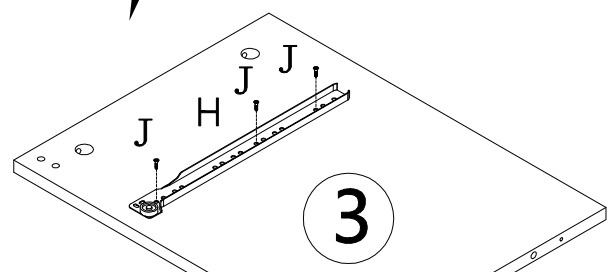
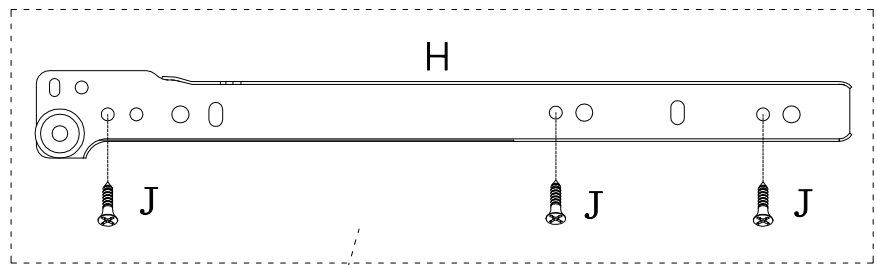
DO NOT TIGHTEN THE SCREWS FULLY DURING ASSEMBLY.
FULLY TIGHTEN SCREWS AFTER THE FINAL ASSEMBLY STEPS.

			
① 1PC	② 1PC	③ 1PC	④ 1PC
			
⑤ 1PC	⑥ 2PCS	⑦ 2PCS	⑧ 1PC
			
⑨ 1PC	⑩ 1PC	⑪ 1PC	⑫ 1PC
			
⑬ 1PC			

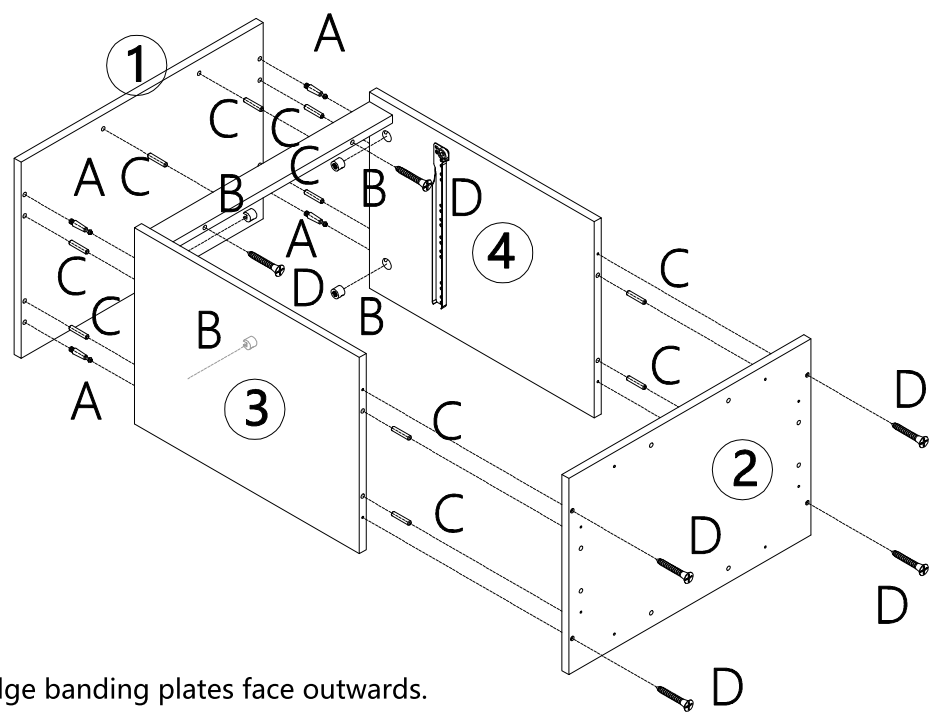
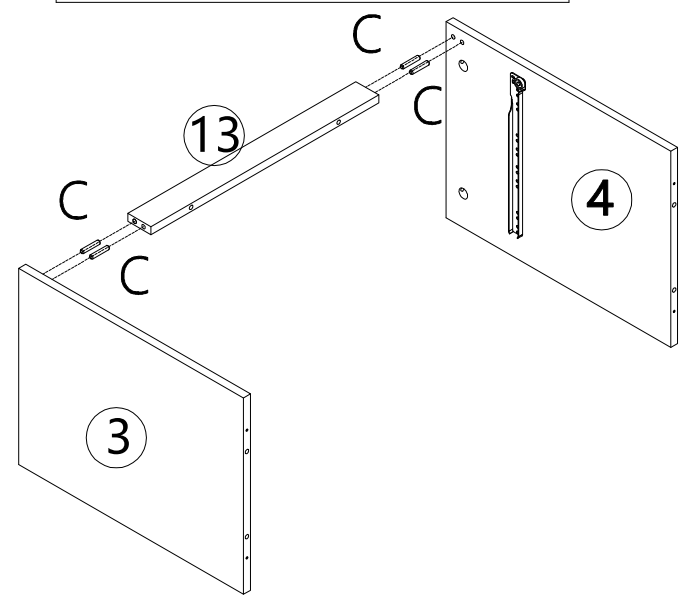
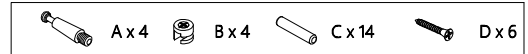
Step 1:



Step 2:

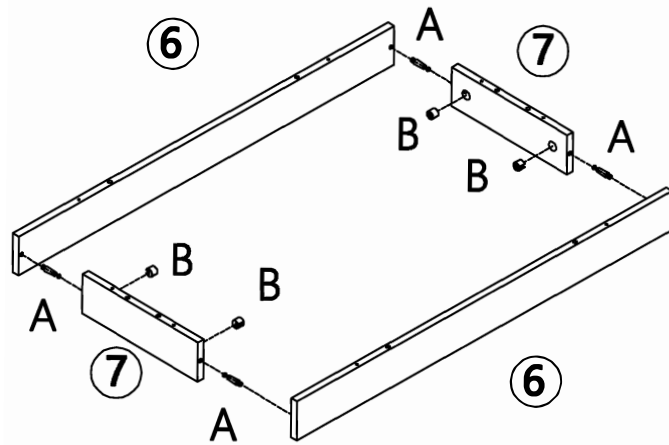
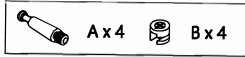


Step 3:

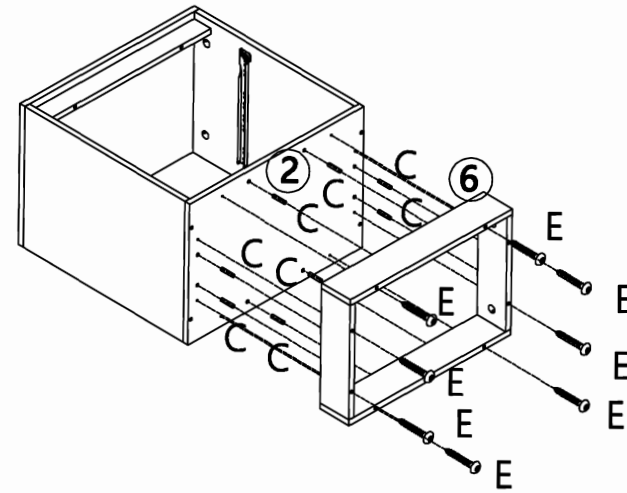


All edge banding plates face outwards.

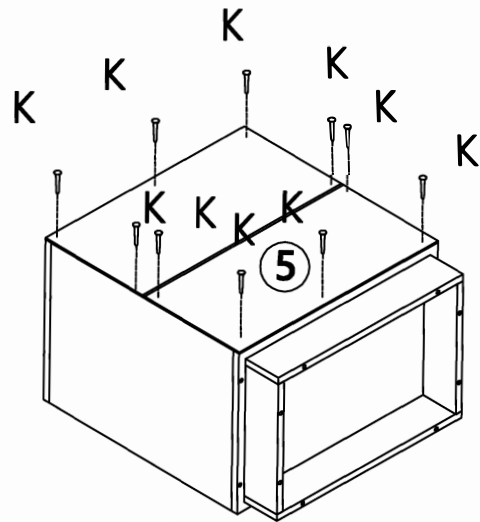
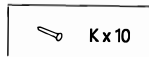
Step 4:



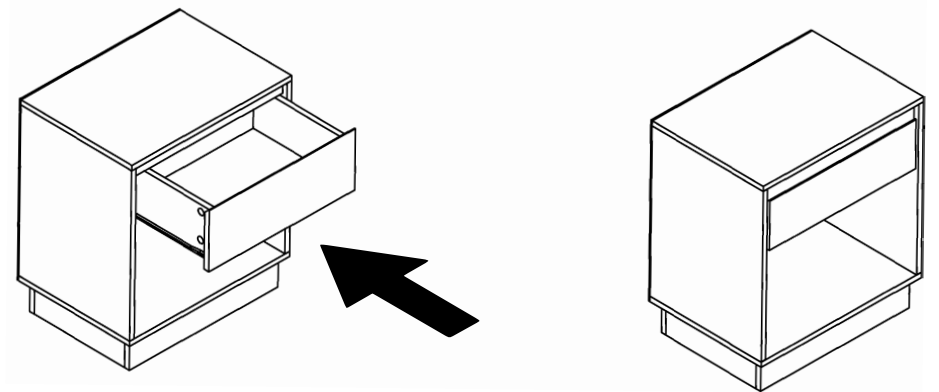
Step 5:



Step 6:



Step 7:



Note: the back panel attach to the back side.