

Assembly Instruction

43029709 CAPSULE CABINET

CARE INSTRUCTION:








Keep away from water and direct sunlight. For indoor and domestic use. Wipe clean with a soft dry cloth. Check and tighten all parts regularly.




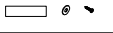

WARNINGS:

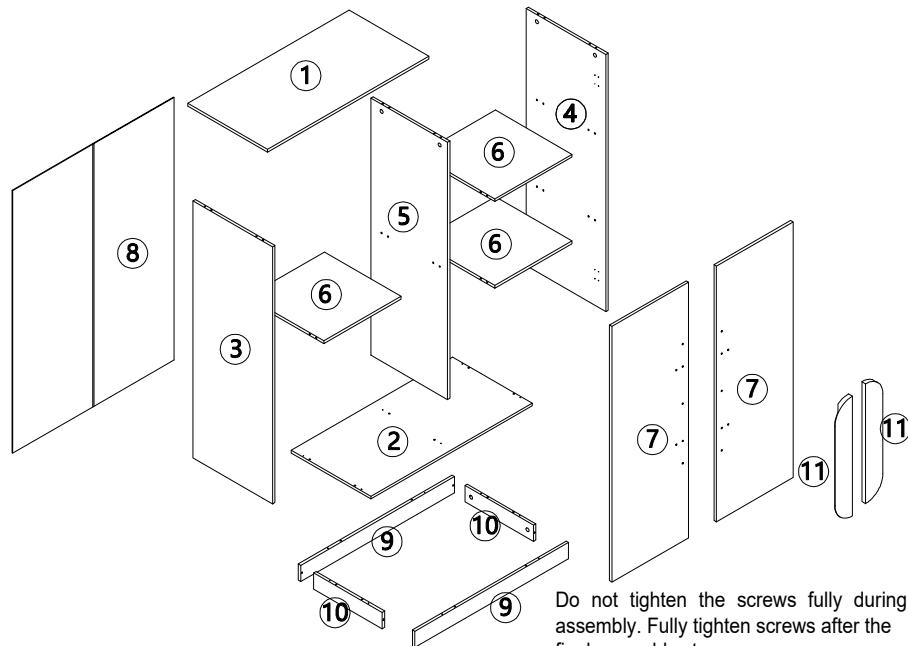
Do not stand or sit on the unit. Do not lean on the product. Do not drag the product. Use only on a flat surface. Do not use until all screws, bolts and knobs are firmly secured. This product contains small parts and sharp points, keep away from children and babies. Adult assembly required. Failure to follow these warnings could result in serious injury.

MAXIMUM SAFE LOAD: 15kg FOR TOP, 5kg FOR INSIDE SHELF.

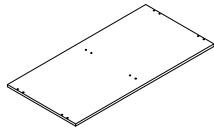
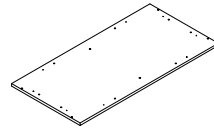
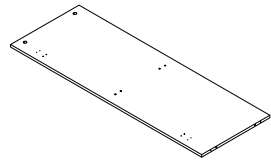
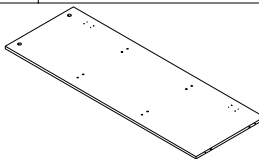
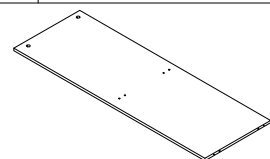
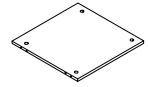
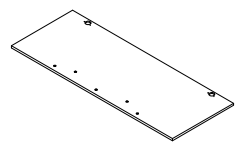
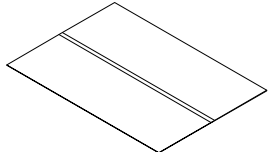
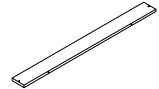


Hardware List

	A	6x35mm	22pcs
	B	15x9.5mm	22pcs
	C	6x30mm	32pcs
	D	6x20mm	4pcs
	E	6x15mm	10pcs
	F		4pcs
	G	3.5x12mm	24pcs

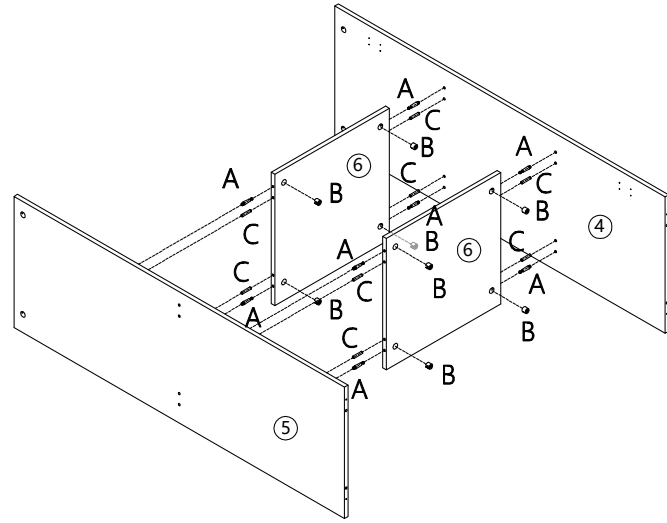
	H	2x16mm	18pcs
	I	4x35mm	6pcs
	J	4x55mm	8pcs
	K	4x12mm	2pcs
	L	4x35mm	2pcs



Do not tighten the screws fully during assembly. Fully tighten screws after the final assembly steps.

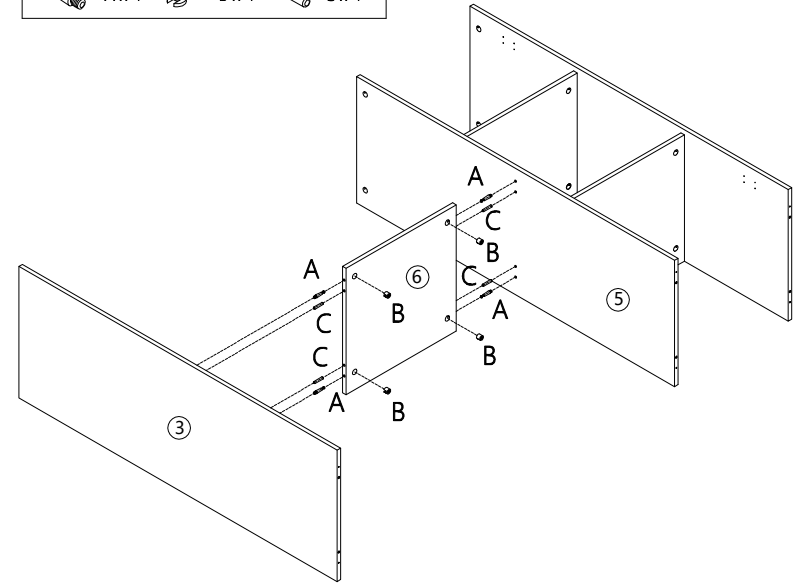
		
① 1PC	② 1PC	③ 1PC
		
④ 1PC	⑤ 1PC	⑥ 3PCS
		
⑦ 2PCS	⑧ 1PCS	⑨ 2PCS
		
⑩ 2PCS	⑪ 2PCS	

Step 1:



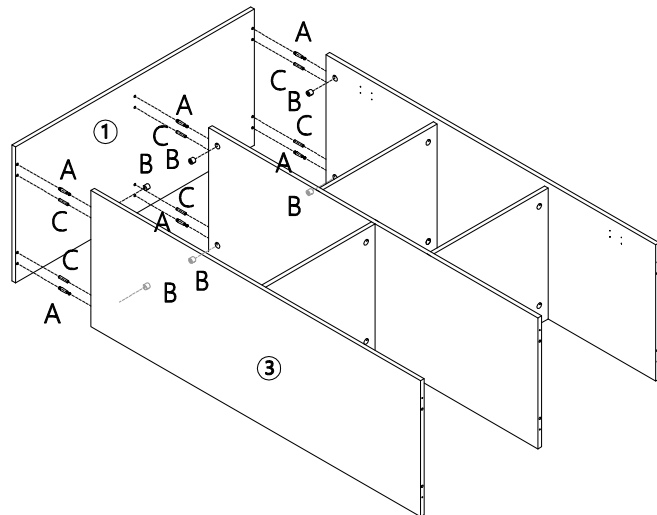
All edge banding plates face outwards.

Step 2:



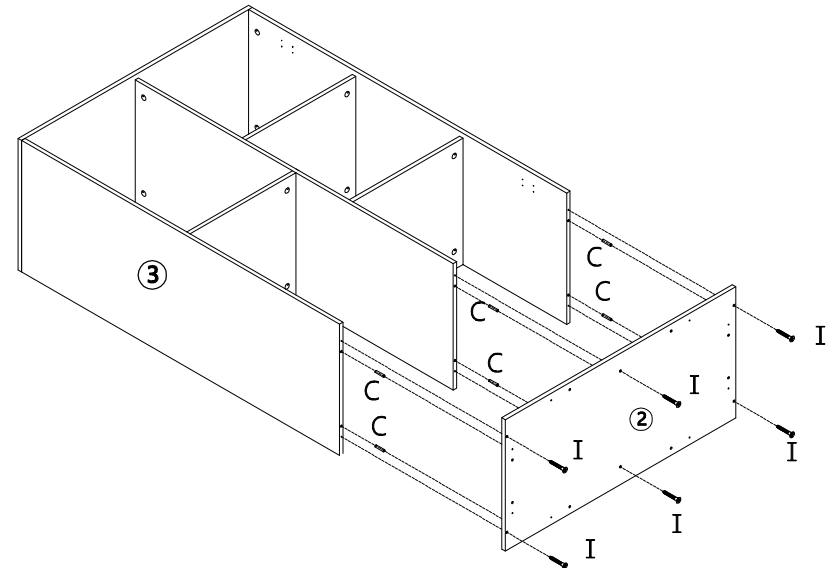
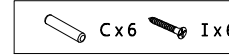
All edge banding plates face outwards.

Step 3:



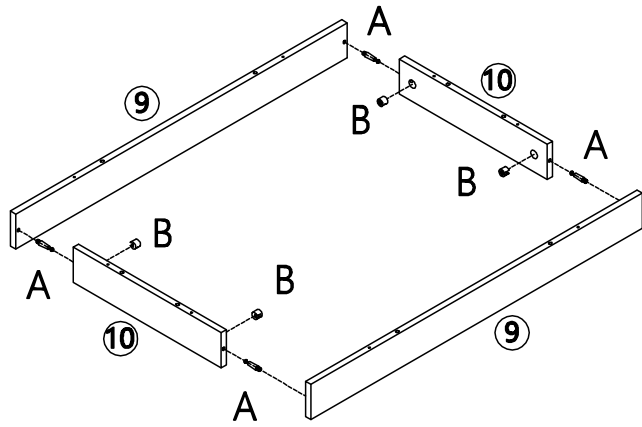
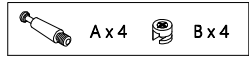
All edge banding plates face outwards.

Step 4:

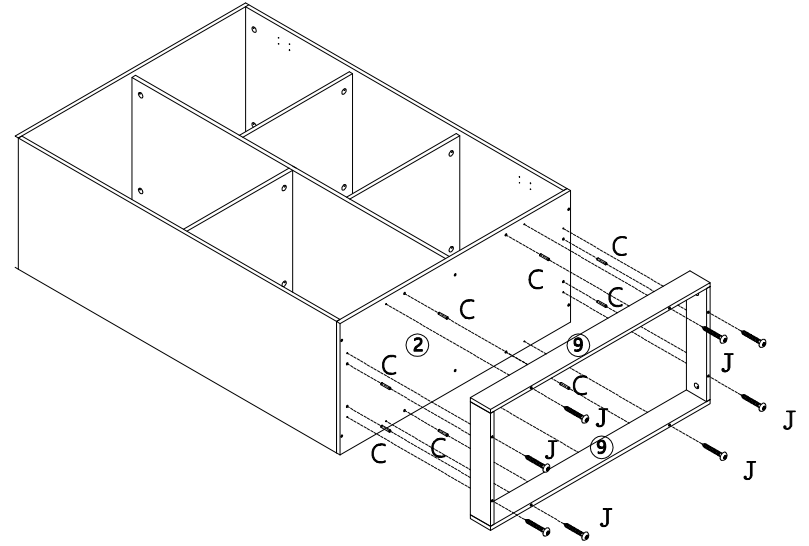
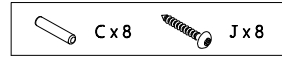


All edge banding plates face outwards.

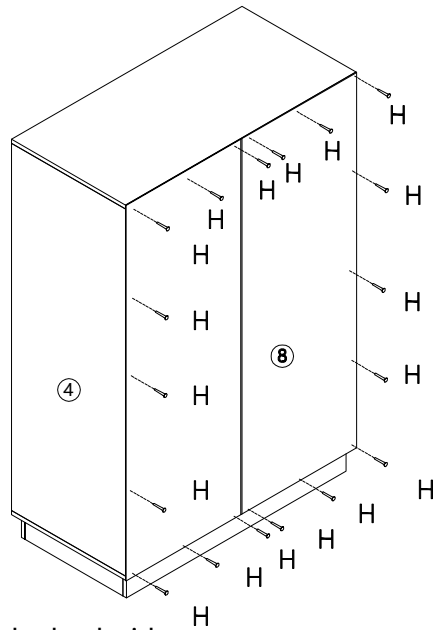
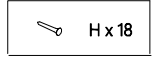
Step 5:



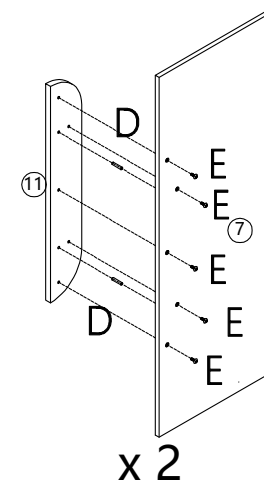
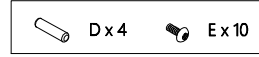
Step 6:



Step 7:

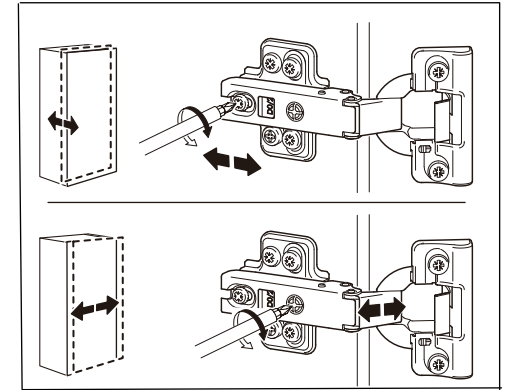
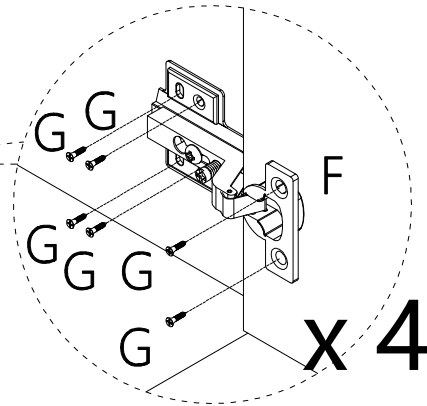
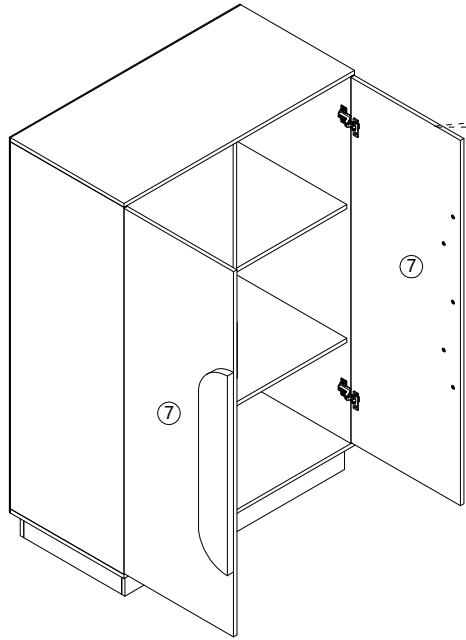
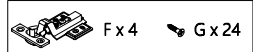


Step 8:

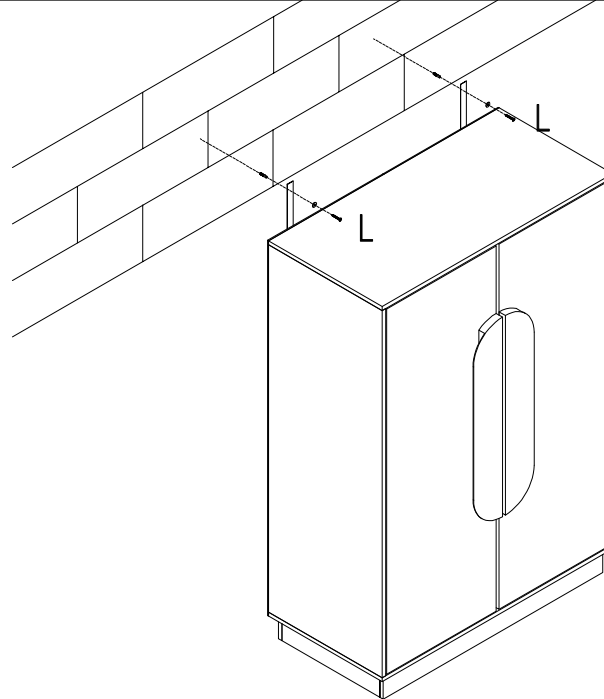
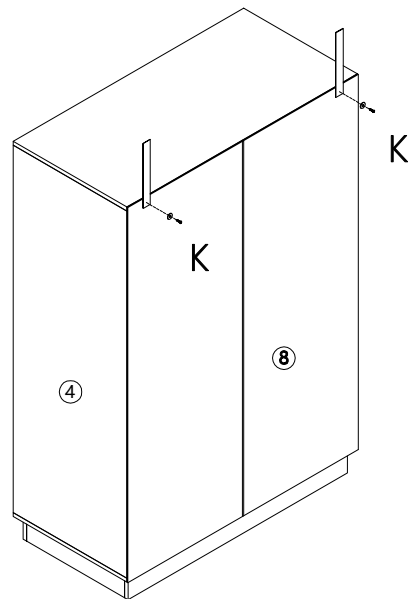


Note: the back panel attach to the back side.

Step 9:



Step 10:



TOPPLING FURNITURE

WARNING:

- › It is strongly recommended that this product is permanently fixed to the wall.
- › Please seek professional advice if you are in doubt of what fixing device to use.
- › Regularly check that anchors are securely maintained.
- › Stability of tall items may be affected by thick pile carpet or uneven floors.
- › Do not place unanchored televisions on furniture.

7 U hcb. for your safety when attaching the anchor fixings, please note the following:

- › Check any electrical wires or plumbing inside the wall before drilling any holes (if you are unsure please seek professional advice from a qualified tradesperson)