

# Assembly Instruction

## 43029716 CAPSULE ENT UNIT

### CARE INSTRUCTION:







Keep away from water and direct sunlight. For indoor and domestic use. Wipe clean with a soft dry cloth. Check and tighten all parts regularly.

### WARNINGS:

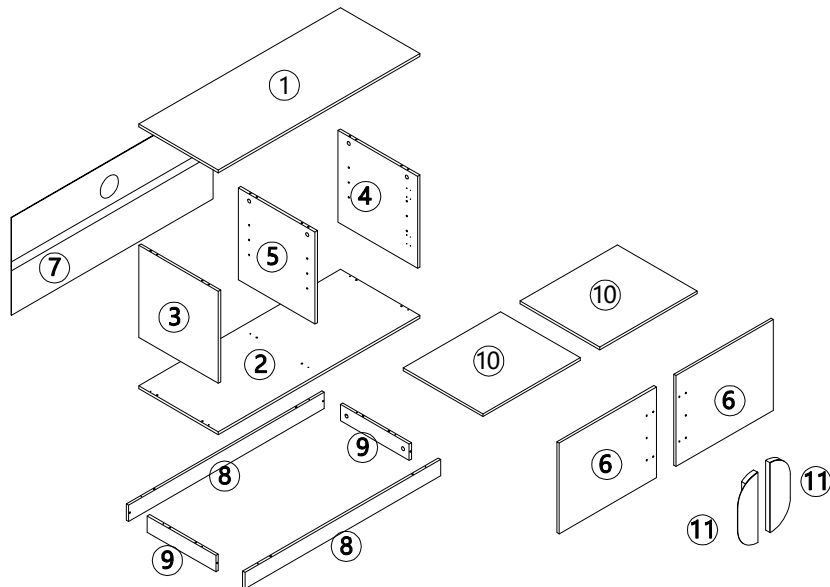
Do not stand or sit on the unit. Do not lean on the product. Do not drag the product. Use only on a flat surface. Do not use until all screws, bolts and knobs are firmly secured. This product contains small parts and sharp points, keep away from children and babies. Adult assembly required. Failure to follow these warnings could result in serious injury.

**MAXIMUM SAFE LOAD: 20kg FOR TOP, 10kg FOR INSIDE SHELF.**

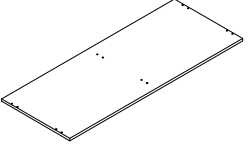
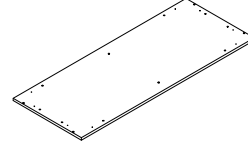
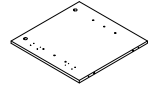
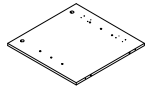
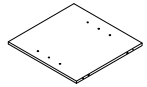
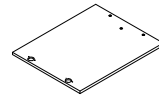
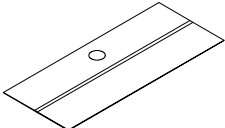
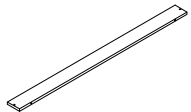

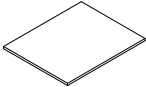
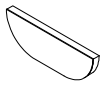
### Hardware List

	A	6x35mm	10pcs
	B	15x9.5mm	10pcs
	C	6x30mm	20pcs
	D	6x20mm	4pcs
	E	6x15mm	6pcs
	F		4pcs

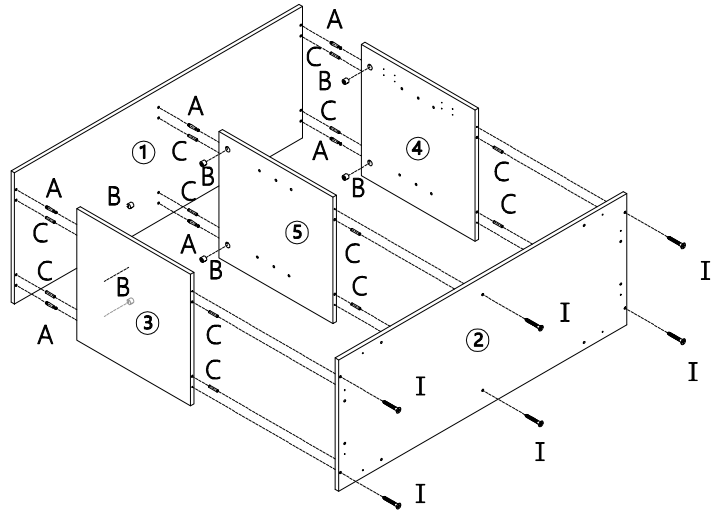
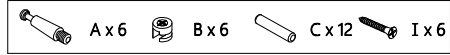
	G	3.5x12mm	24pcs
	H	2x16mm	14pcs
	I	4x35mm	6pcs
	J	4x55mm	8pcs
	K		8pcs



Do not tighten the screws fully during assembly.  
Fully tighten screws after the final assembly steps.

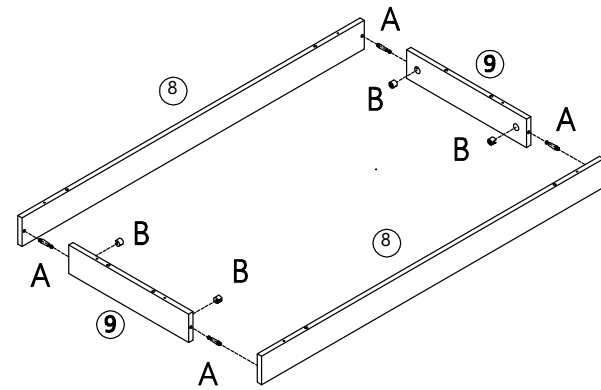
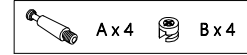
	①	1PC		②	1PC		③	1PC
	④	1PC		⑤	1PC		⑥	2PCS
	⑦	1PC		⑧	2PCS		⑨	2PCS
	⑩	2PCS		⑪	2PCS			

### Step 1:

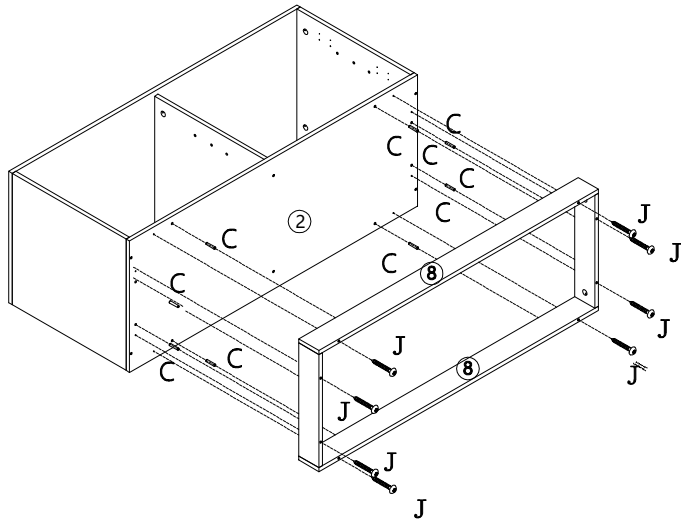


All edge banding plates face outwards.

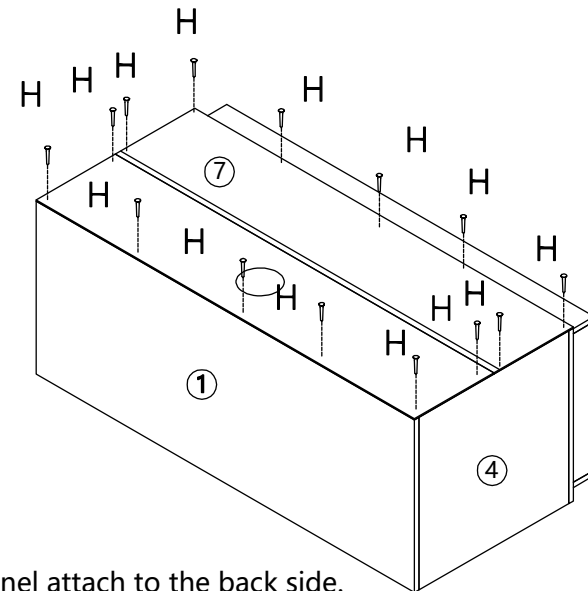
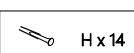
### Step 2:



### Step 3:

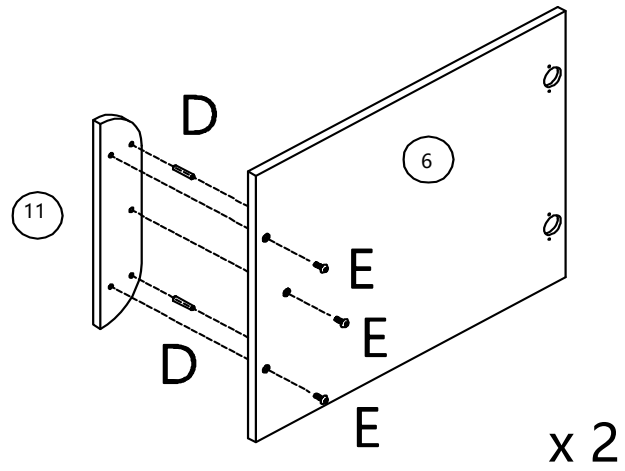
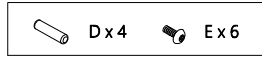


### Step 4:

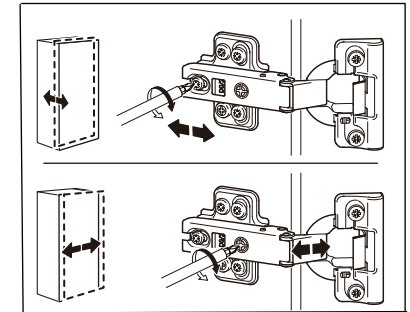
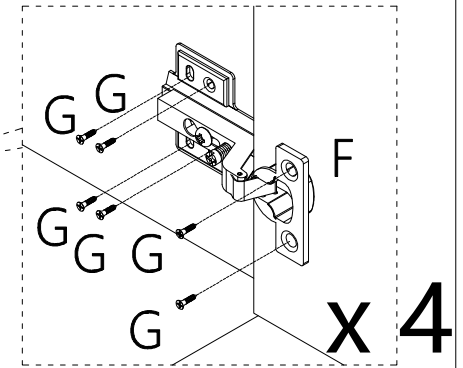
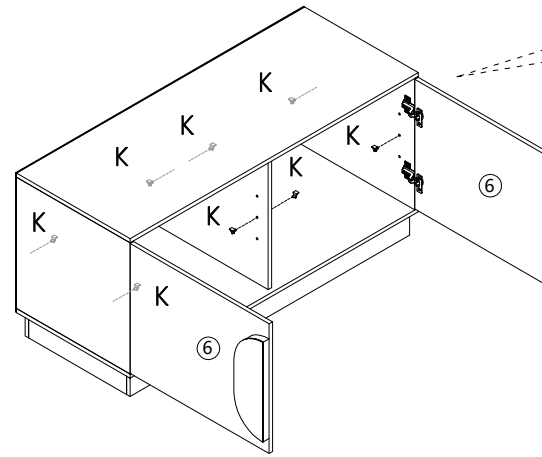


Note: the back panel attach to the back side.

Step 5:



Step 6:



Step 7:

