

Assembly Instruction

43029747 CAPSULE HALL TABLE

CARE INSTRUCTION:










Keep away from water and direct sunlight. For indoor and domestic use. Wipe clean with a soft dry cloth. Check and tighten all parts regularly.









WARNINGS:

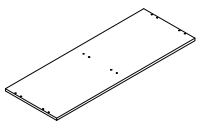
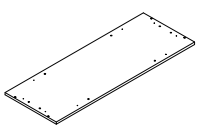
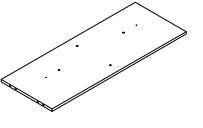
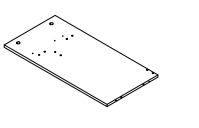
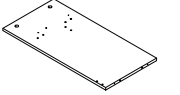

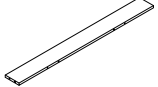
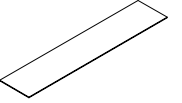
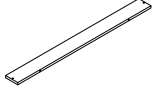

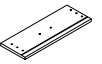
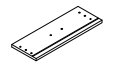

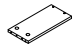
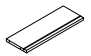
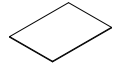
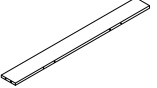

Do not stand or sit on the unit. Do not lean on the product. Do not drag the product. Use only on a flat surface. Do not use until all screws, bolts and knobs are firmly secured. Load the drawer evenly to prevent it from tipping over. This product contains small parts and sharp points, keep away from children and babies. Adult assembly required. Failure to follow these warnings could result in serious injury.

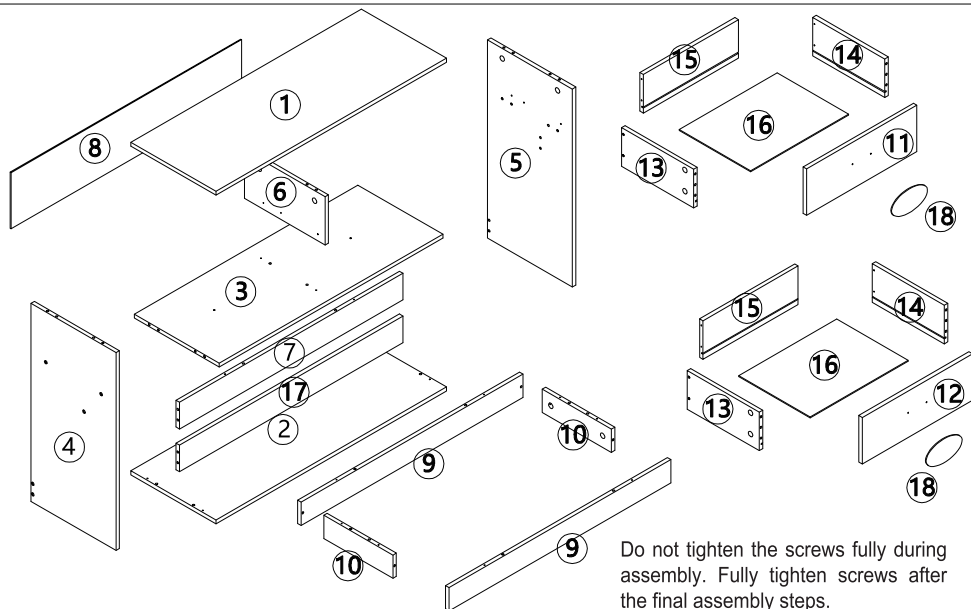
MAXIMUM SAFE LOAD: 20kg FOR TOP, 5kg FOR EACH DRAWER, 15kg FOR BOTTOM.

Hardware List

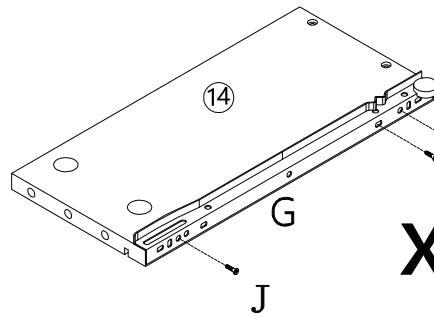
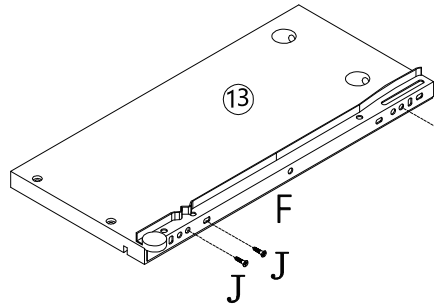
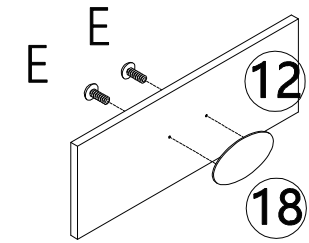
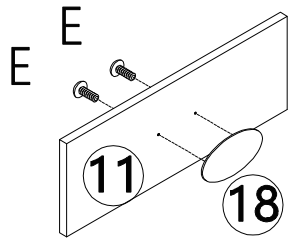
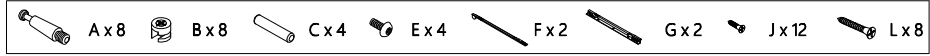
| | | | |
|---|---|----------|-------|
|  | A | 6x35mm | 18pcs |
|  | B | 15x9.5mm | 18pcs |
|  | C | 6x30mm | 34pcs |
|  | D | | 1pc |
|  | E | 6x15mm | 4pcs |
|  | F | 250mm | 2pcs |
|  | G | 250mm | 2pcs |
|  | H | 250mm | 2pcs |
|  | I | 250mm | 2pcs |

| | | | |
|---|---|--------|-------|
|  | J | 3x12mm | 24pcs |
|  | K | 7x40mm | 14pcs |
|  | L | 4x35mm | 14pcs |
|  | M | 4x55mm | 8pcs |
|  | N | 2x16mm | 12pcs |
|  | O | 4x12mm | 2pcs |
|  | P | 4x35mm | 2pcs |
|  | Q | | 10pcs |

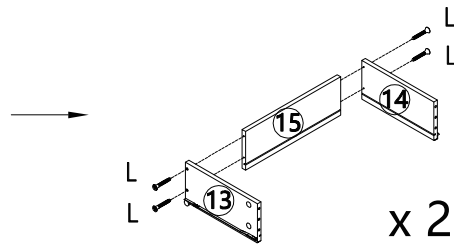
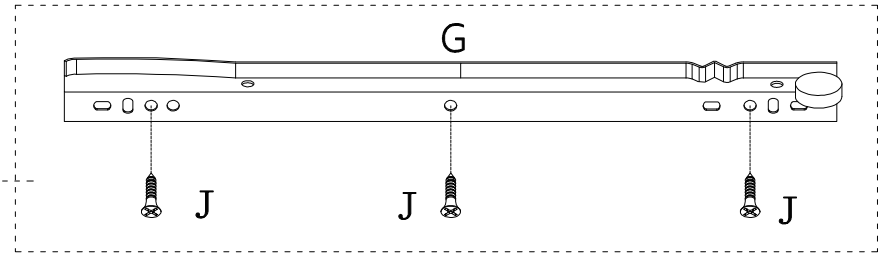
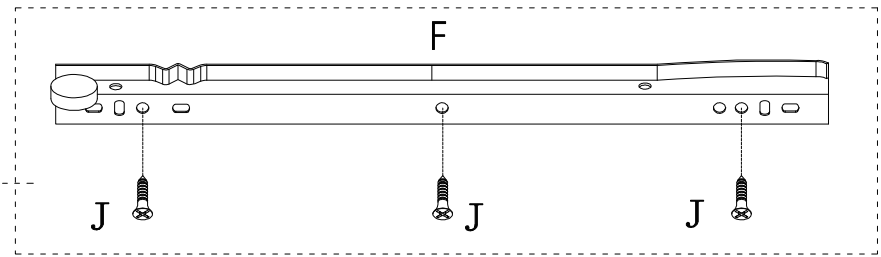
| | | | | | | | | | | | |
|---|---|------|---|---|------|---|---|------|---|---|------|
|  | ① | 1PC |  | ② | 1PC |  | ③ | 1PC |  | ④ | 1PC |
|  | ⑤ | 1PC |  | ⑥ | 1PC |  | ⑦ | 1PC |  | ⑧ | 1PC |
|  | ⑨ | 2PCS |  | ⑩ | 2PCS |  | ⑪ | 1PC |  | ⑫ | 1PC |
|  | ⑬ | 2PCS |  | ⑭ | 2PCS |  | ⑮ | 2PCS |  | ⑯ | 2PCS |
|  | ⑰ | 1PC |  | ⑱ | 2PCS | | | | | | |



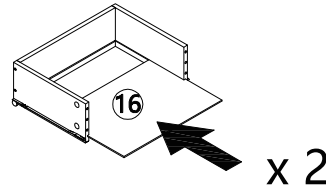
Step 1:



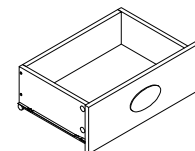
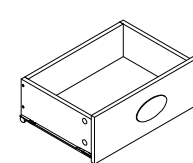
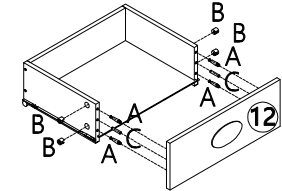
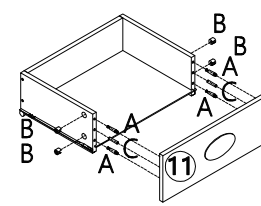
x 2



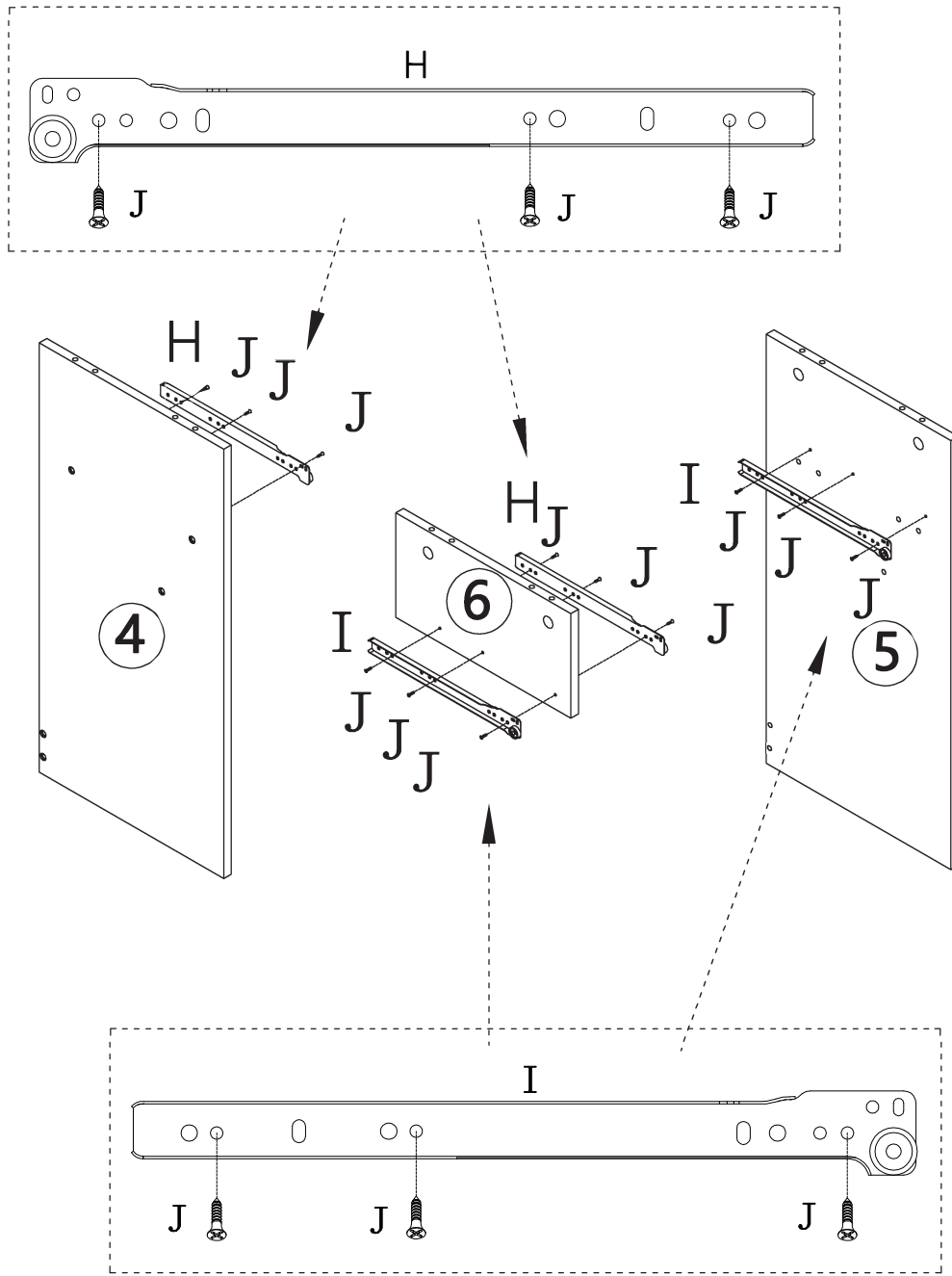
x 2



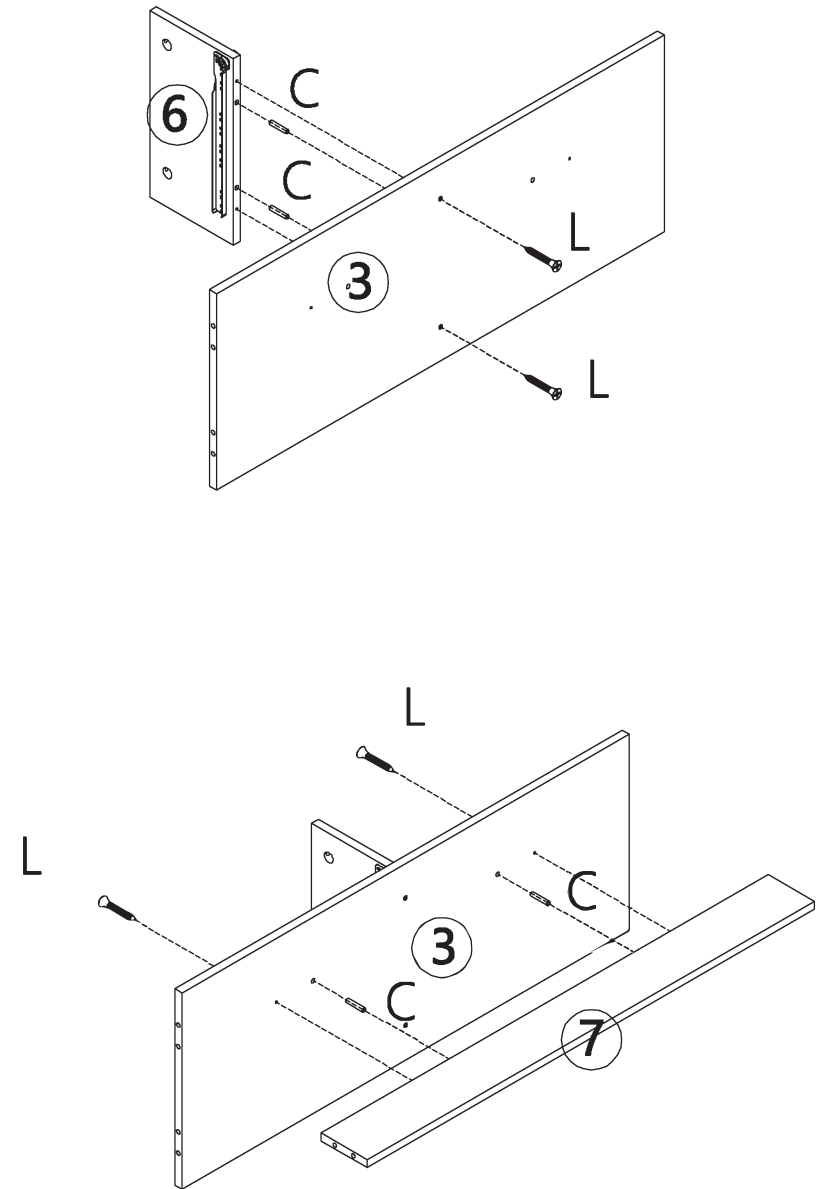
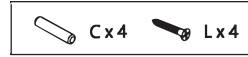
x 2



Step 2:

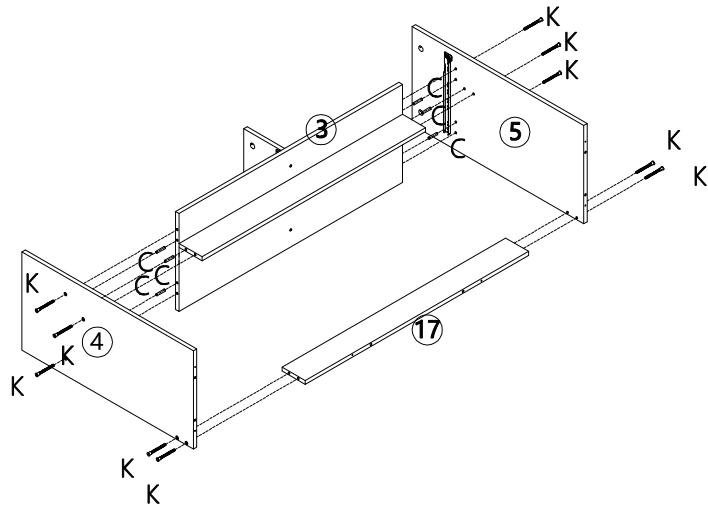
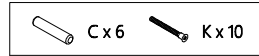


Step 3:



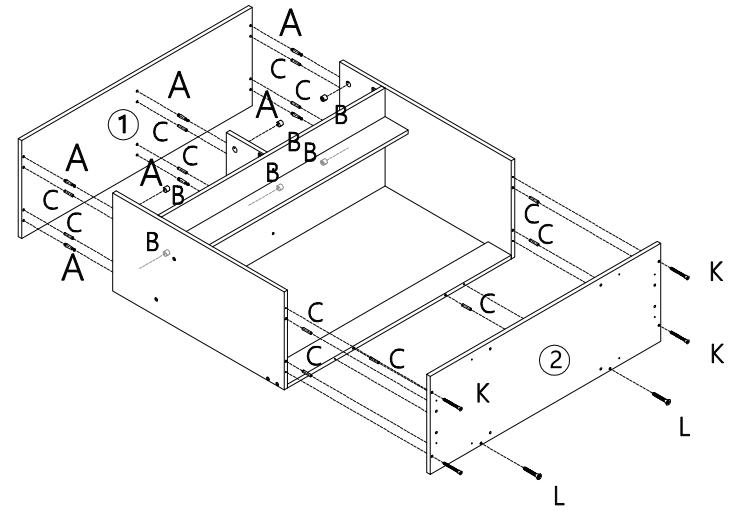
All edge banding plates face outwards.

Step 4:



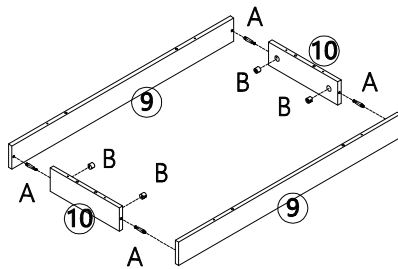
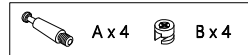
All edge banding plates face outwards.

Step 5:

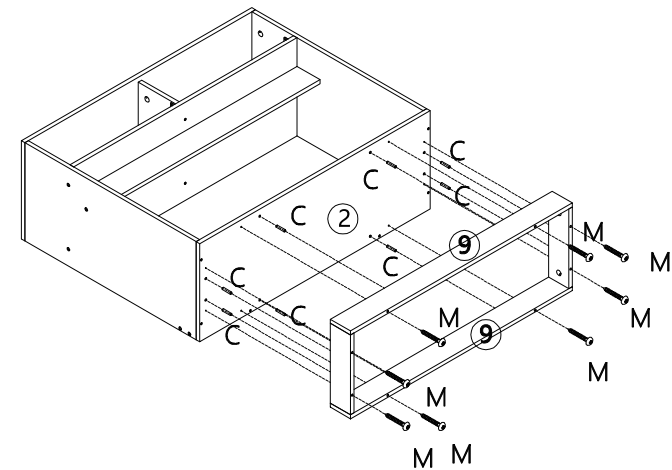
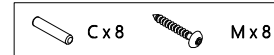


All edge banding plates face outwards.

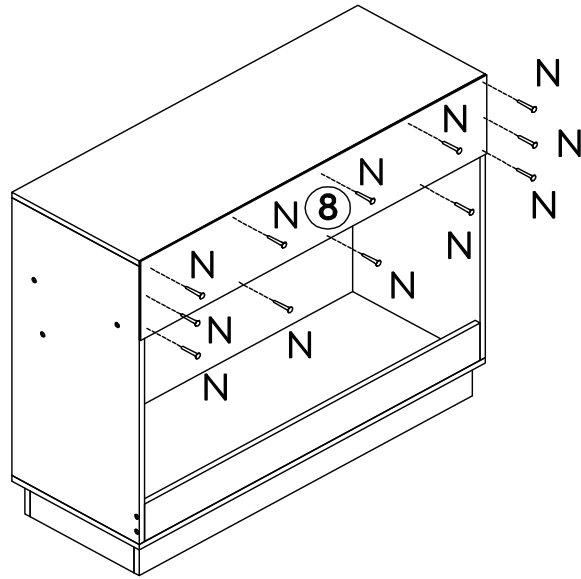
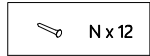
Step 6:



Step 7:

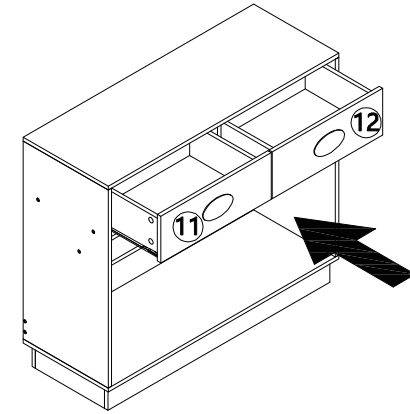


Step 8:

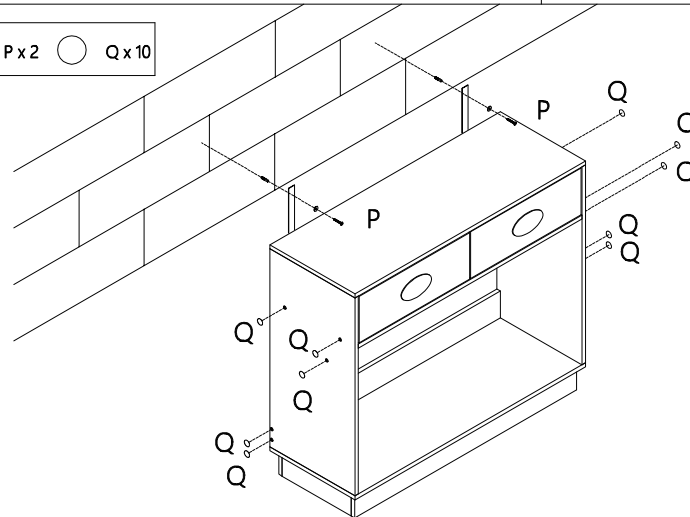
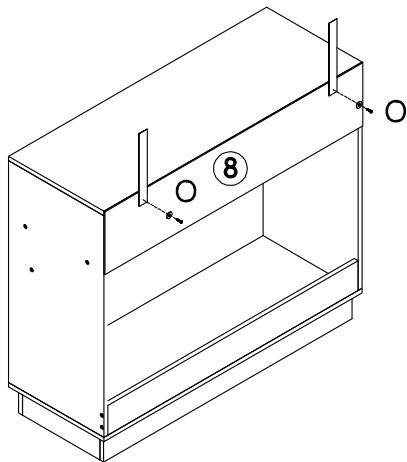


Note: the back panel attach to the back side.

Step 9:



Step 10:



TOPPLING FURNITURE WARNING:

- › It is strongly recommended that this product is permanently fixed to the wall.
 - › Please seek professional advice if you are in doubt of what fixing device to use.
 - › Regularly check that anchors are securely maintained.
 - › Stability of tall items may be affected by thick pile carpet or uneven floors.
 - › Do not place unanchored televisions on furniture.
- Caution:** for your safety when attaching the anchor fixings, please note the following:
- › Check any electrical wires or plumbing inside the wall before drilling any holes (if you are unsure please seek professional advice from a qualified tradesperson)