

Assembly Instructions

43029846 HUGO SIDE TABLE

CARE INSTRUCTIONS:






WIPE CLEAN WITH SOFT DAMP CLOTH. DO NOT USE SCOURERS, ABRASIVES OR CHEMICAL SOLVENTS. STORE IN A DRY PLACE AND KEEP AWAY FROM DIRECT WATER AND SUNLIGHT. FOR INDOOR AND DOMESTIC USE.

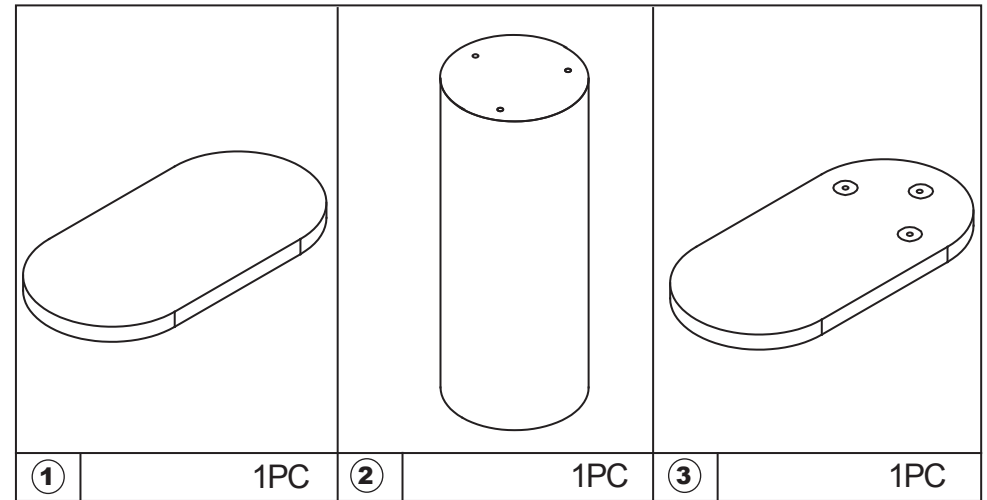
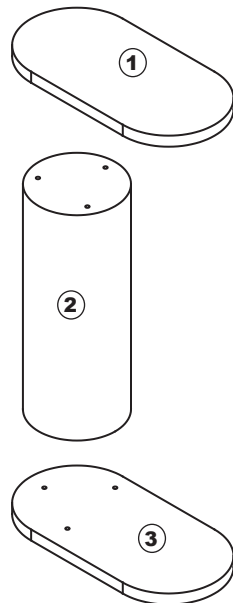
WARNING:

DO NOT STAND OR SIT ON THE PRODUCT. DO NOT USE THE PRODUCT AS A STEP LADDER. DO NOT USE THE PRODUCT UNLESS ALL BOLTS AND SCREWS ARE FIRMLY SECURED. THIS PRODUCT CONTAINS SHARP POINTS, KEEP AWAY FROM CHILDREN AND BABIES. ADULT ASSEMBLY REQUIRED. FAILURE TO FOLLOW THESE WARNING COULD RESULT IN SERIOUS INJURY.

MAXIMUM SAFE LOAD: 5KGS FOR TABLE TOP.

Hardware list

	A	Long Bolt	3PCS
	B	Flat Washer	3PCS
	C	Allen Key	1PC
	D	Metal Nut	3PCS
	E	Glide	4PCS



①

1PC

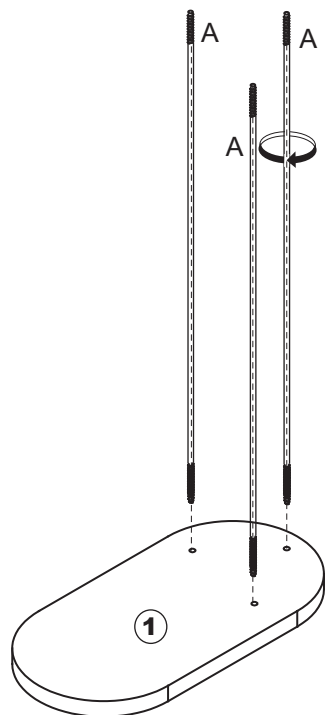
②

1PC

③

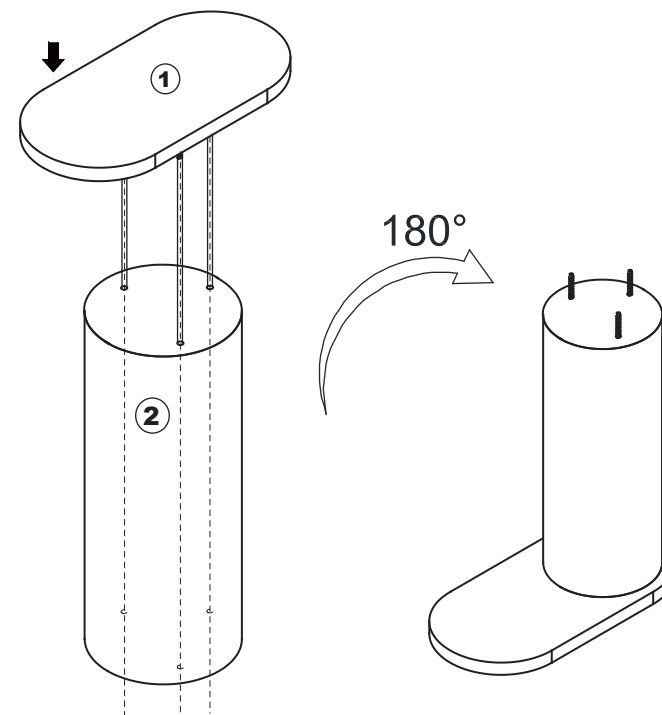
1PC

STEP 1



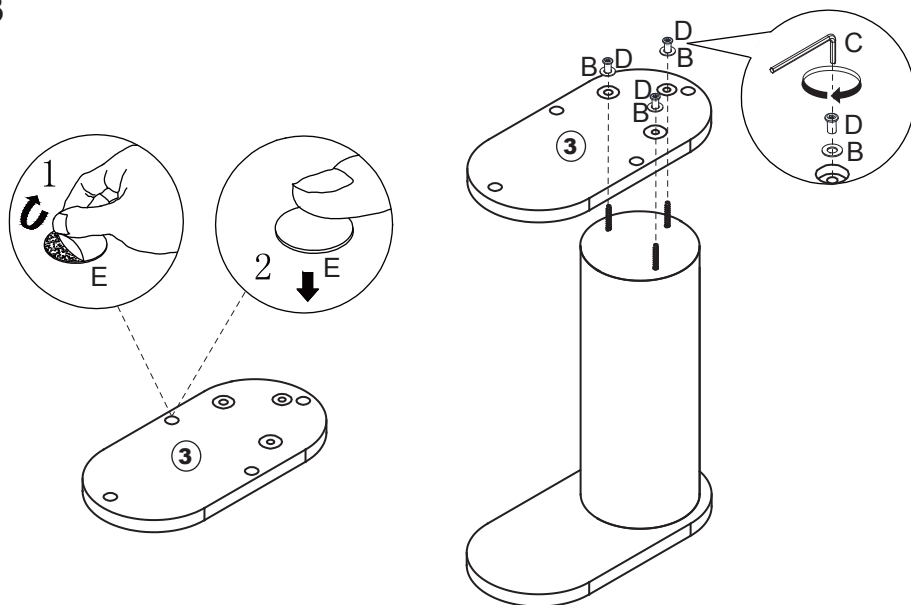
Attach Long Bolt A to Board ① as per diagram .

STEP 2



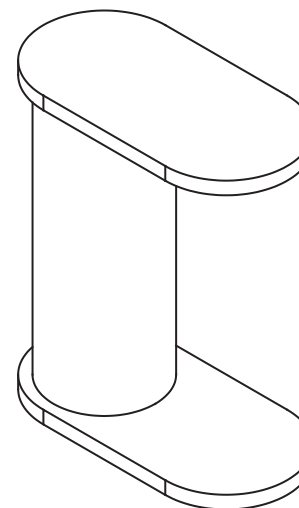
Attach Board ② into the corresponding position as per diagram.

STEP 3



Peel off self-adhesive tape of Glide E, stick them on the bottom of Board ③.
Attach Board ③ as per diagram with screw B & D, tighten with Allen Key C.

STEP 4



ATTENTION:
DO NOT TIGHTEN THE SCREWS FULLY DURING ASSEMBLY.
FULLY TIGHTEN SCREWS AFTER THE FINAL ASSEMBLY STEPS.