

Assembly Instructions

43029976 ARCHER SIDE TABLE

CARE INSTRUCTIONS:







WIPE CLEAN WITH SOFT DAMP CLOTH. DO NOT USE SCOURERS, ABRASIVES OR CHEMICAL SOLVENTS. STORE IN A DRY PLACE AND KEEP AWAY FROM DIRECT WATER AND SUNLIGHT. FOR INDOOR AND DOMESTIC USE.

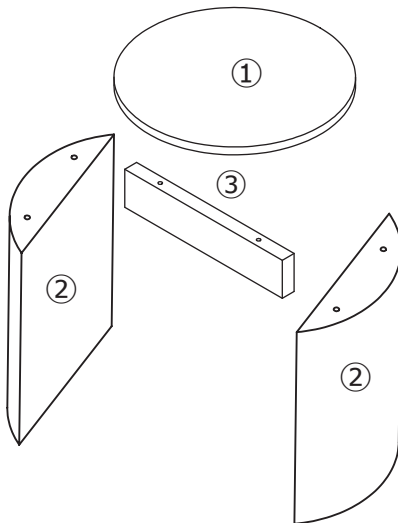
WARNING:

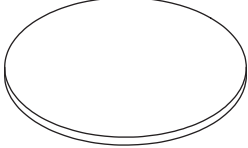
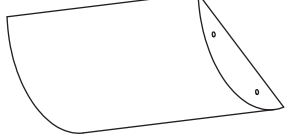
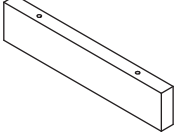
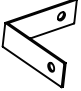
DO NOT STAND OR SIT ON THE PRODUCT. DO NOT USE THE PRODUCT AS A STEP LADDER. DO NOT USE THE PRODUCT UNLESS ALL BOLTS AND SCREWS ARE FIRMLY SECURED. THIS PRODUCT CONTAINS SMALL PARTS AND SHARP POINTS, KEEP AWAY FROM CHILDREN AND BABIES. ADULT ASSEMBLY REQUIRED. FAILURE TO FOLLOW THESE WARNING COULD RESULT IN SERIOUS INJURY.

MAXIMUM SAFE LOAD: 10KGS FOR TABLE TOP.

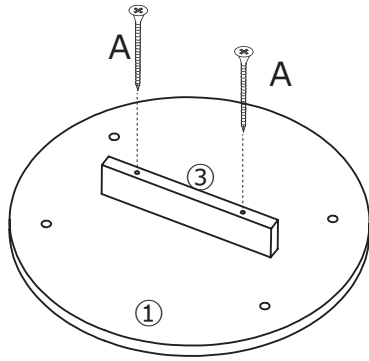
Hardware list

	A	Long Screw	2PCS
	B	Long Bolt	4PCS
	C	Metal Nut	4PCS
	D	Screw	4PCS
	E	Allen Key	1PC
	F	Glide	6PCS



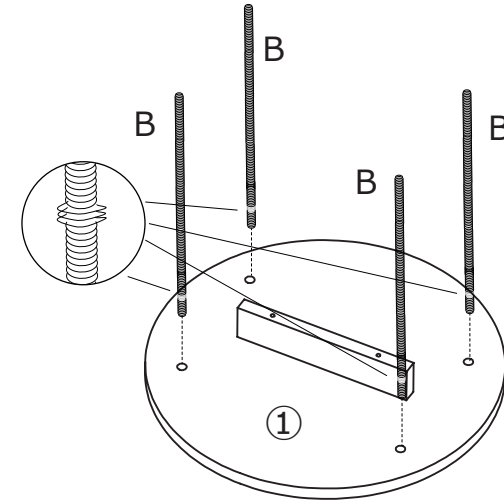
					
①	1PC	②	2PCS	③	1PC
					
④	2PCS				

STEP 1



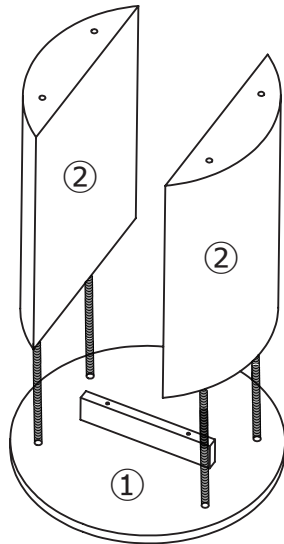
Attach Board ③ onto Board ① with Long Screw A.

STEP 2



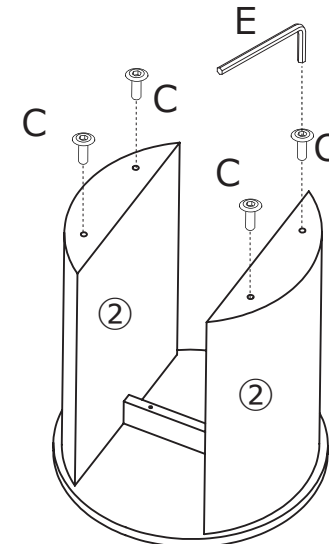
Attach Long Bolt B to Board ① as per diagram.

STEP 3



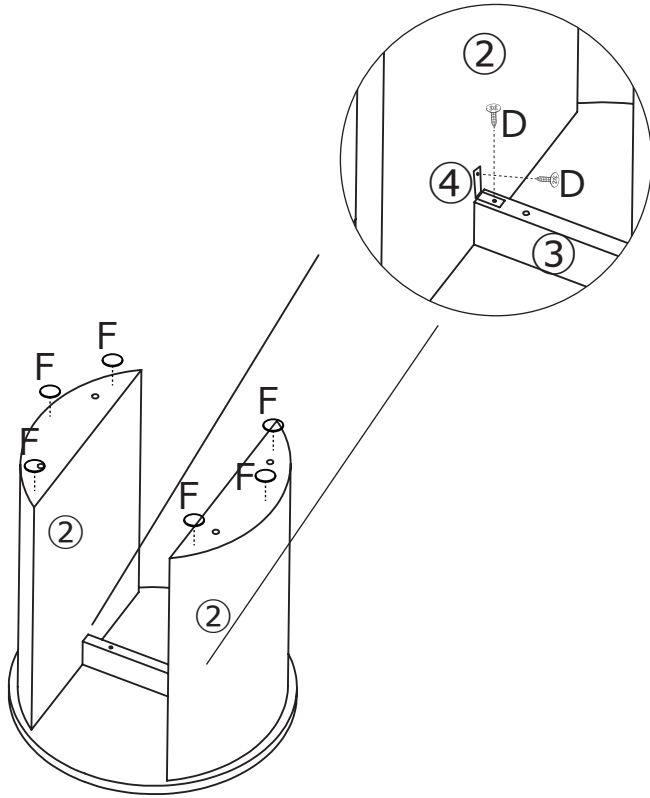
Attach Board ② into the corresponding position as per diagram.

STEP 4



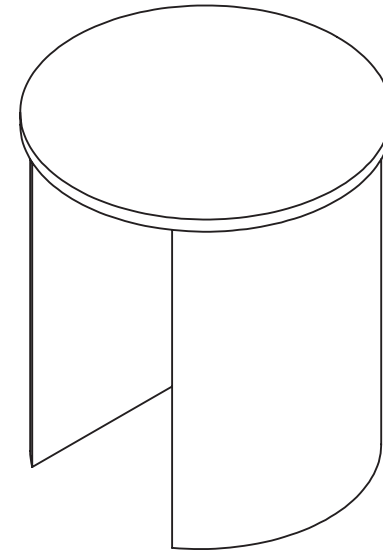
Attach Metal Nut C to Board ② as per diagram, tighten with Allen Key E.

STEP 5



Attach Metal plate④ as per diagram with Screw D.
Stick Glide F on Board② as per diagram.

STEP 6



ATTENTION:
DO NOT TIGHTEN THE SCREWS FULLY DURING ASSEMBLY.
FULLY TIGHTEN SCREWS AFTER THE FINAL ASSEMBLY STEPS.
DO NOT PUT HOT ITEMS SUCH AS COFFEE CUPS DIRECTLY ON THE SURFACE OF PRODUCT.