

Assembly Instructions










43031740-LARGE SHELVING UNIT WITH TUB

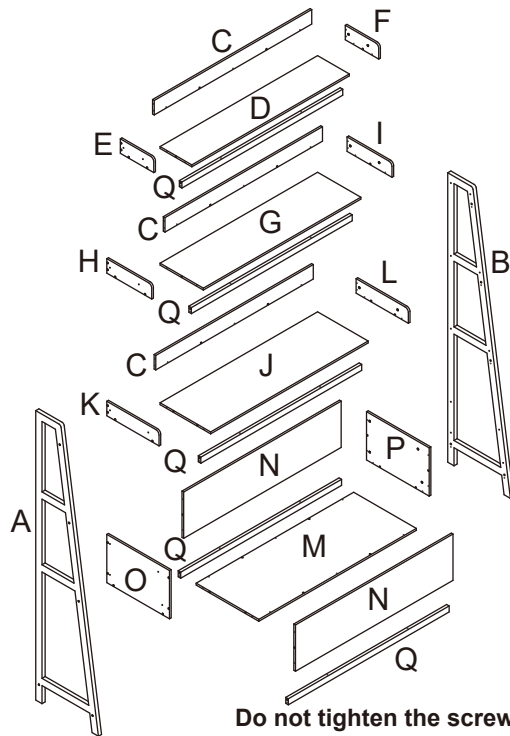
WARNING: DO NOT STAND, SIT OR LEAN ON THE UNIT. DO NOT USE THIS UNIT AS A STEP LADDER. ENSURE THIS UNIT IS USED ONLY ON A FLAT SURFACE. DO NOT USE THIS UNIT UNLESS ALL BOLTS AND SCREWS ARE FIRMLY SECURED. DO NOT PLACE HOT OBJECTS SUCH AS COFFEE CUPS DIRECTLY ON THE SURFACE OF THIS FURNITURE ITEM. THIS ITEM IS FOR STORAGE PURPOSE ONLY. FAILURE TO FOLLOW THESE WARNINGS COULD RESULT IN SERIOUS INJURY. CONTAINS SMALL PARTS. IT IS TO BE ASSEMBLED BY AN ADULT.

CARE INSTRUCTIONS: WIPE CLEAN WITH A SOFT DAMP CLOTH. NEVER USE SCOURERS, ABRASIVES OR CHEMICAL SOLVENTS. KEEP AWAY FROM MOISTURE AND DIRECT SUNLIGHT. STORE IN A DRY PLACE FOR INDOOR USE ONLY.

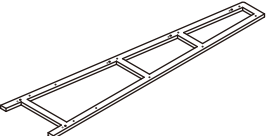
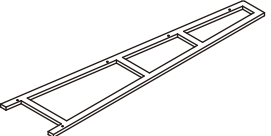
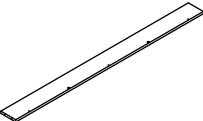
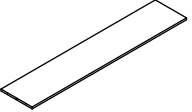
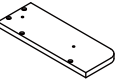
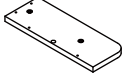
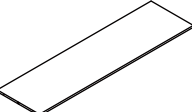

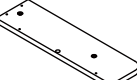
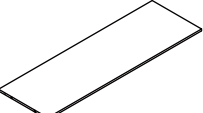
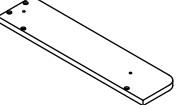
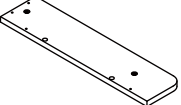
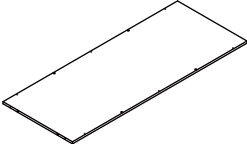
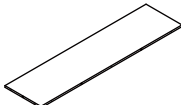
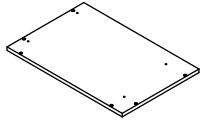
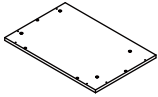
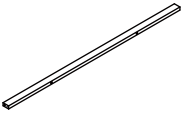
MAXIMUM TOTAL LOADING WEIGHT: 5KGS EACH SHELF, 10KGS FOR TUB, 25KGS IN TOTAL.

Hardware list

	a	3X25mm	51PCS		f		2PCS
	b	4X20mm	20PCS		g	4X40mm	2PCS
	c	6X30mm	36PCS		h		2PCS
	d	4X30mm	20PCS		i		67PCS
	e		2PCS				

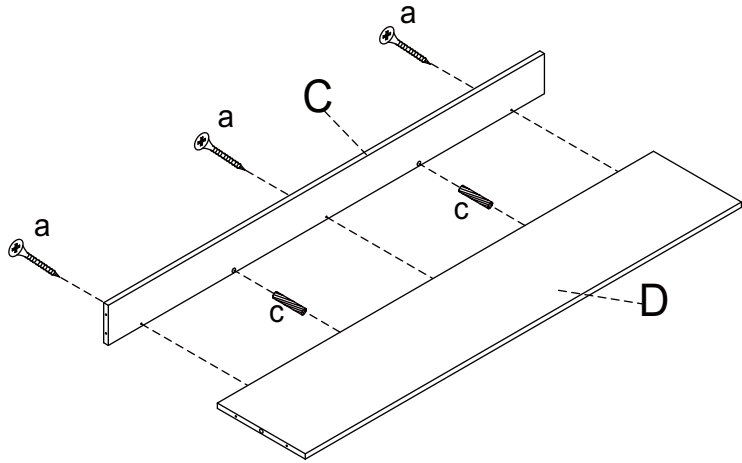


Do not tighten the screws fully during assembly.
Fully tighten screws after the final assembly steps



	A	1 PC		B	1 PC		C	3 PCS
	D	1 PC		E	1 PC		F	1 PC
	G	1 PC		H	1 PC		I	1 PC
	J	1 PC		K	1 PC		L	1 PC
	M	1 PC		N	2 PCS		O	1 PC
	P	1 PC		Q	5 PCS			

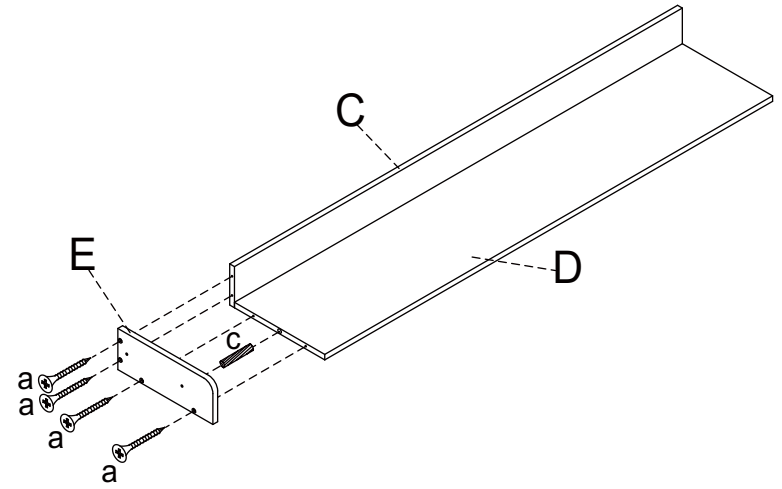
STEP 1

 X3  X2




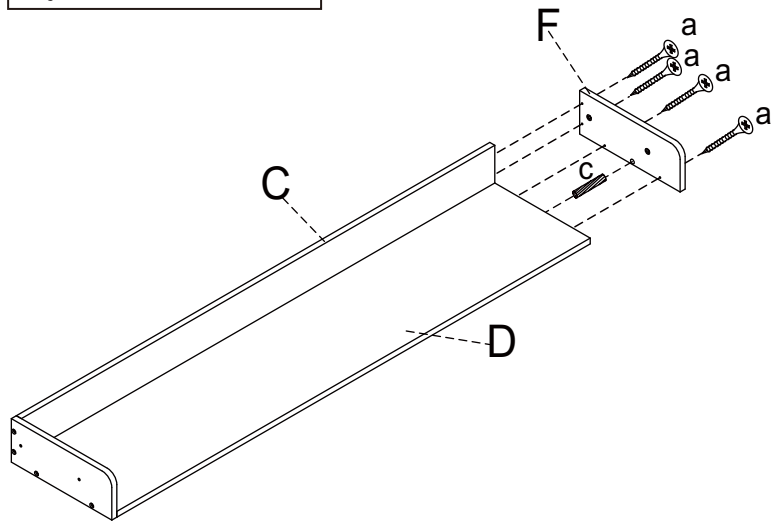
STEP 2

 X4  X1





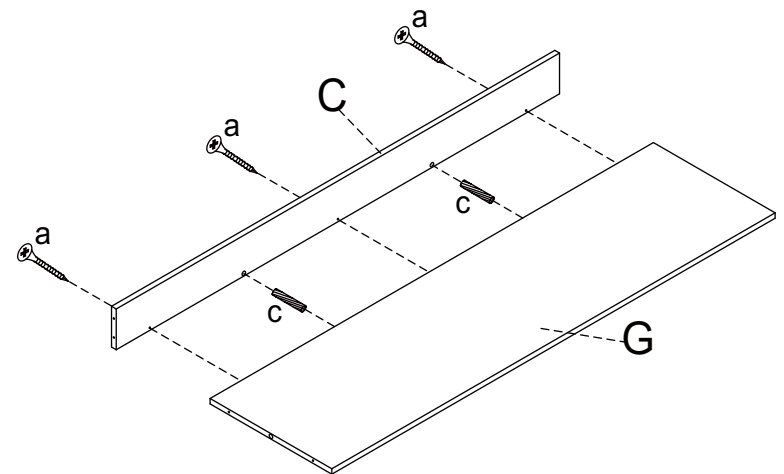
STEP 3

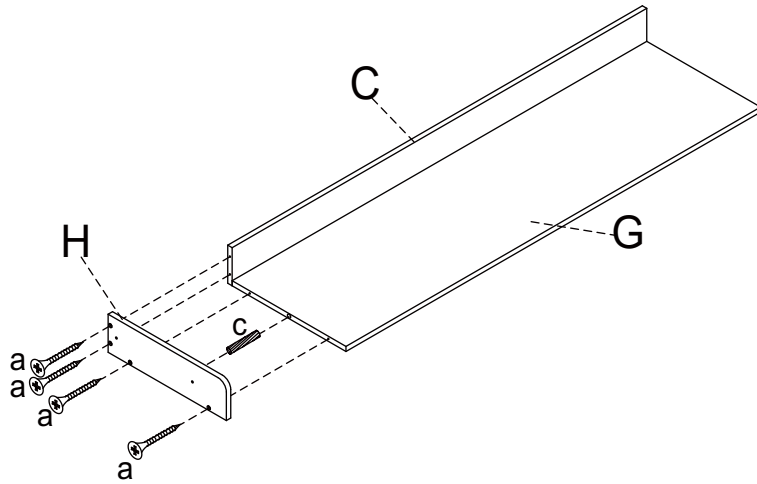
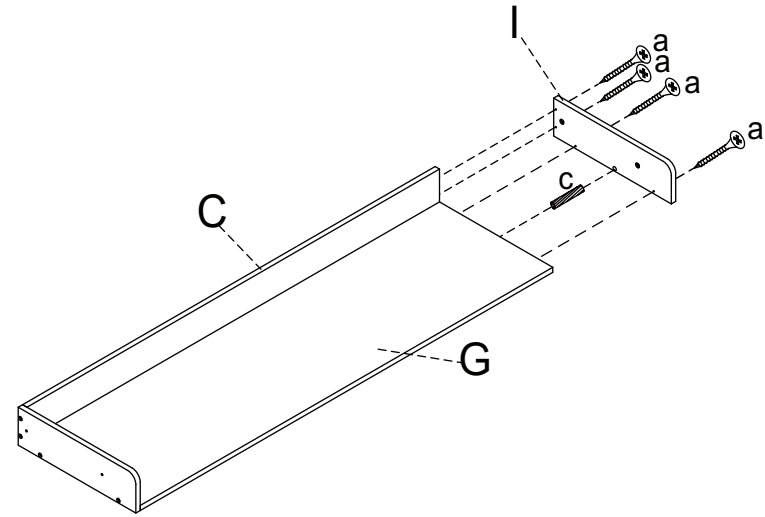


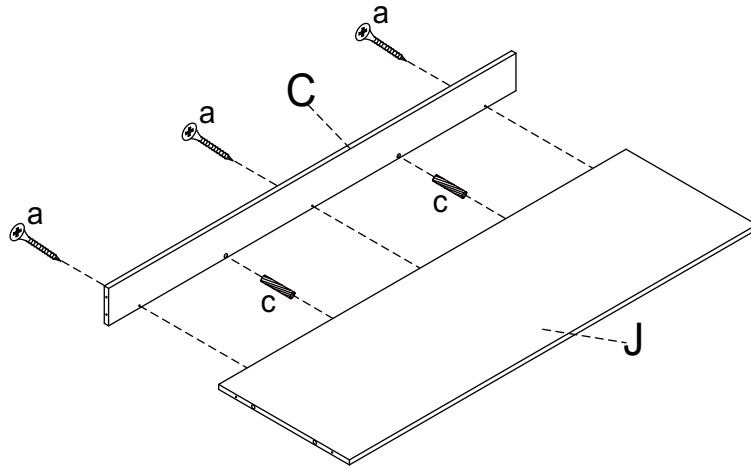


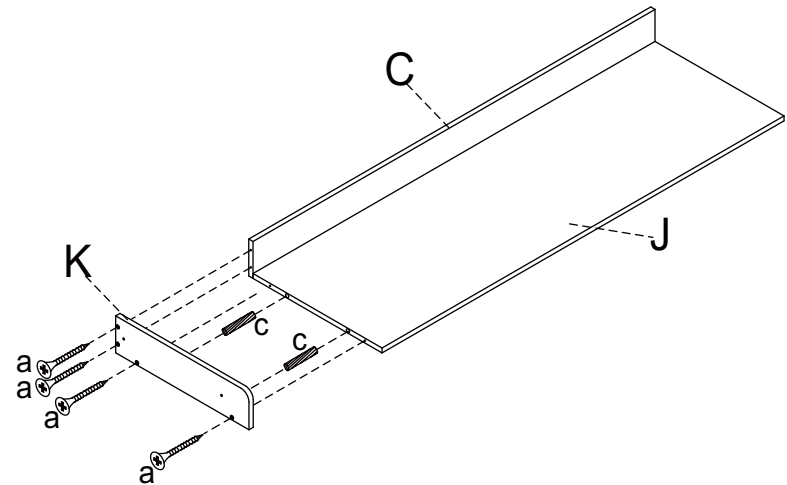
 X4  X1



STEP 4

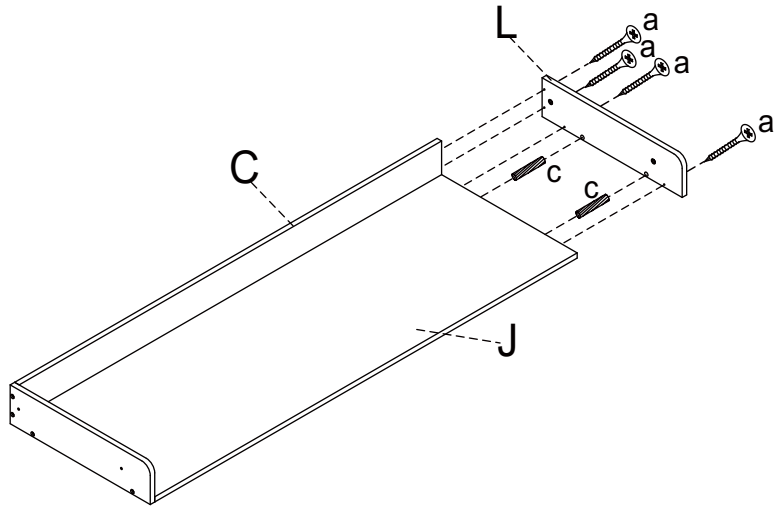
 X3  X2





STEP 5
 X4
  X1
**STEP 6**
 X4
  X1
**STEP 7**
 X3
  X2
**STEP 8**
 X4
  X2


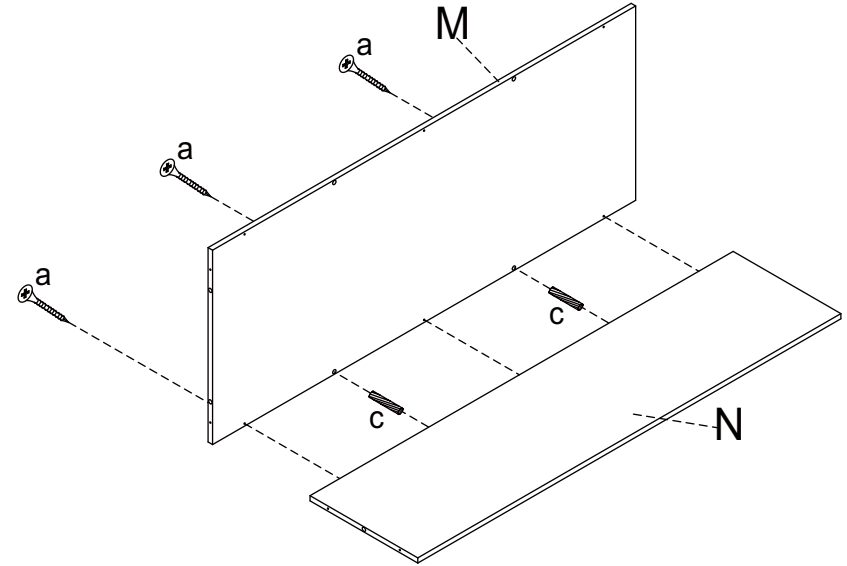
STEP 9

 X4  X2



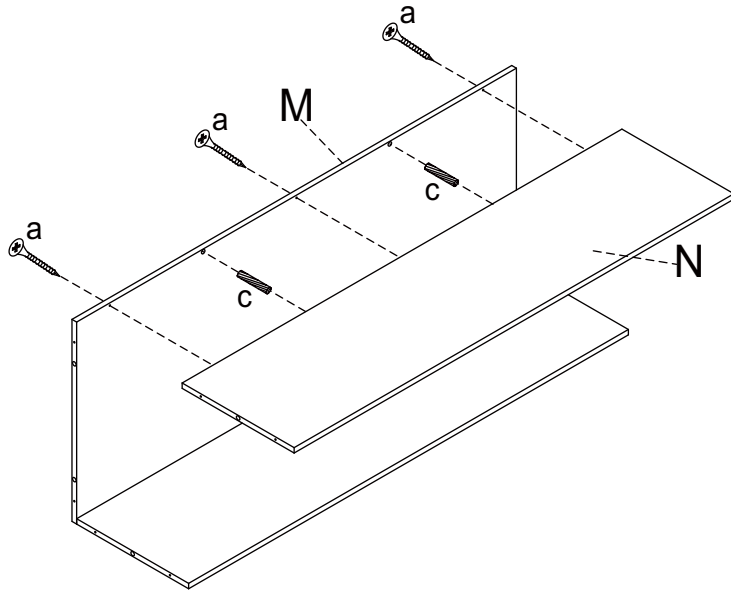
STEP 10

 X3  X2



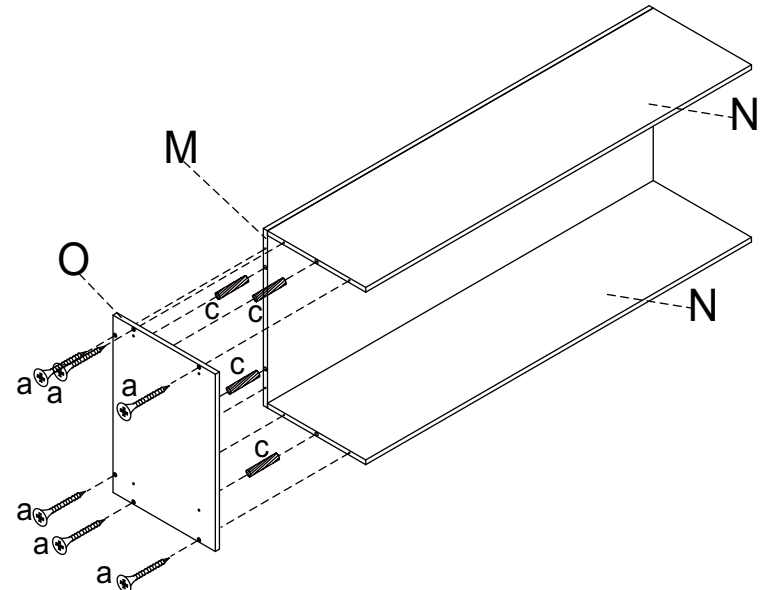
STEP 11

 X3  X2



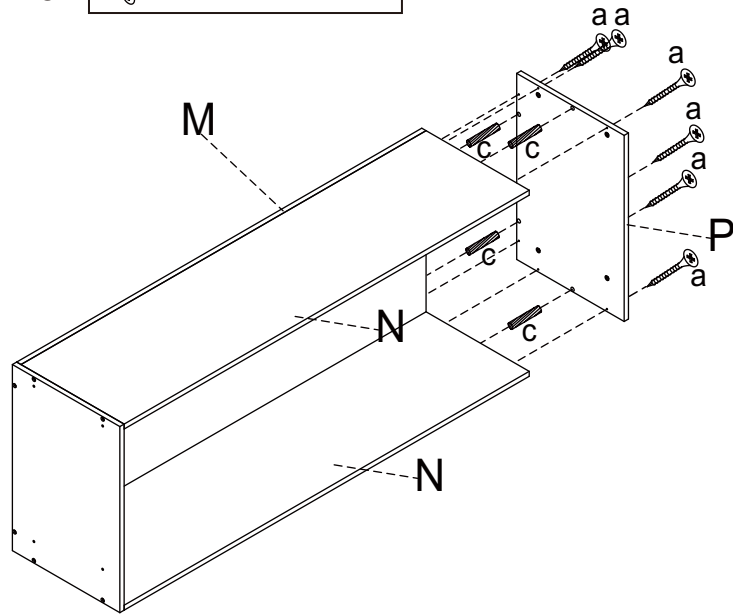
STEP 12

 X6  X4



STEP 13

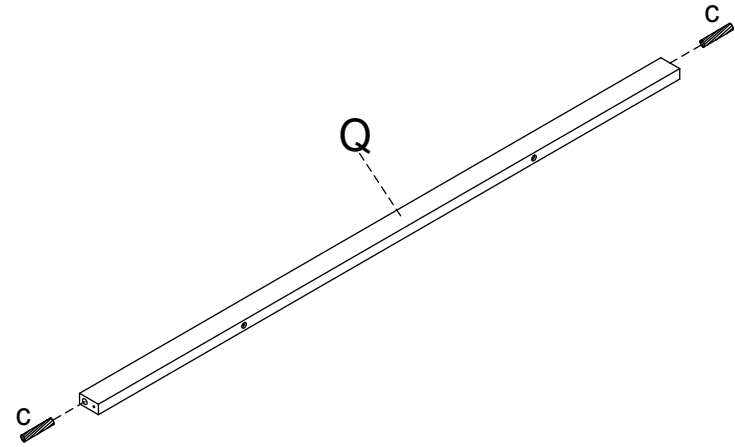
X6 X4



STEP 14

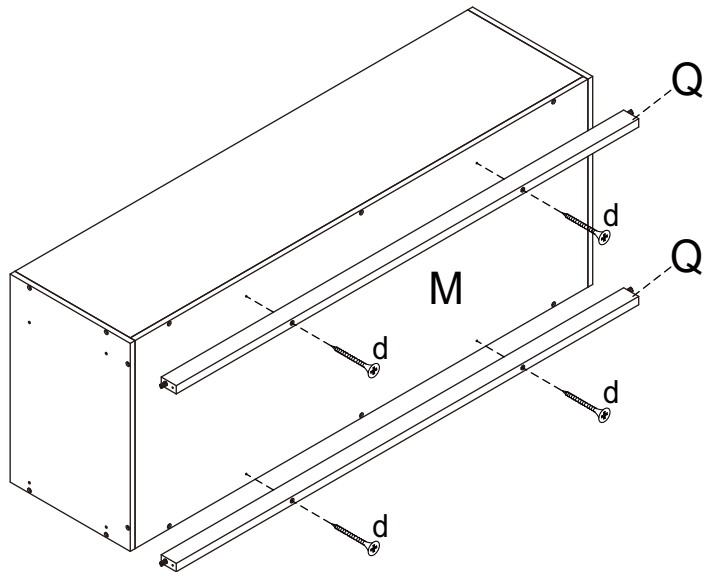
X10

x5



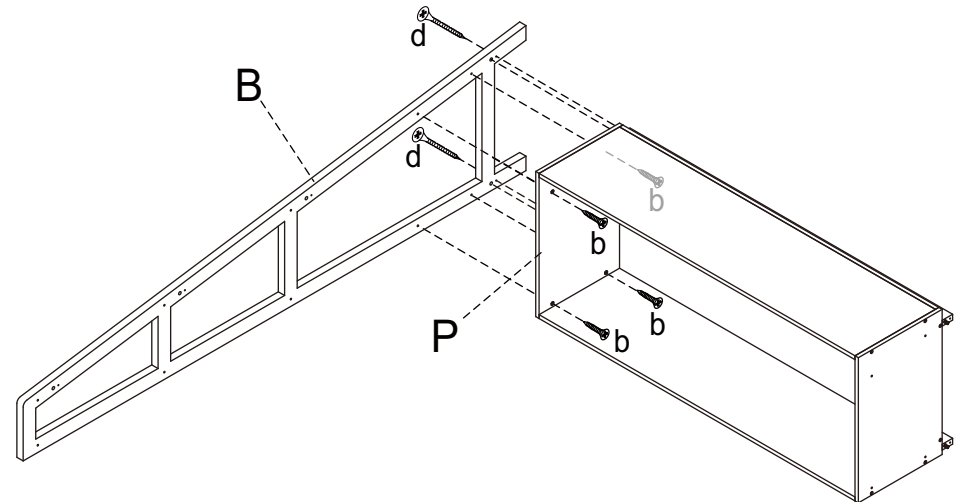
STEP 15

X4



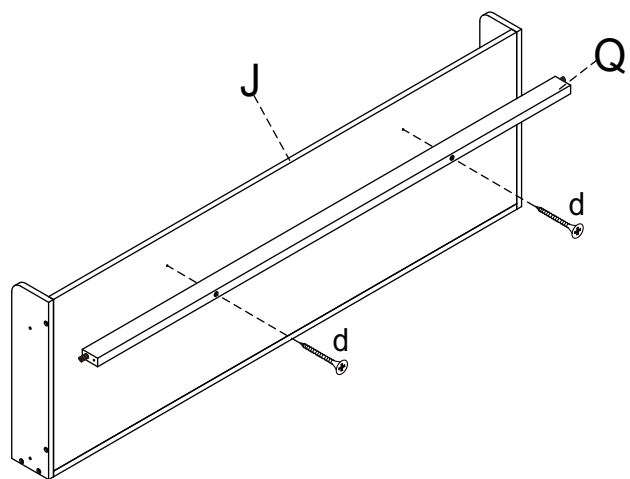
STEP 16

X2 X4



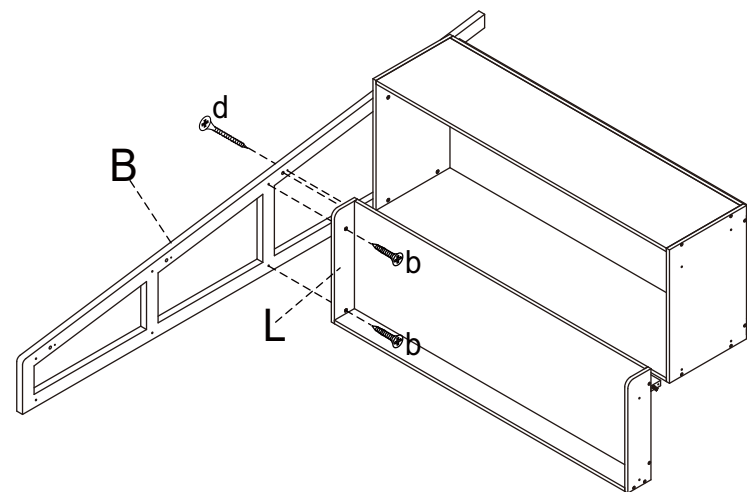
STEP 17

 X2



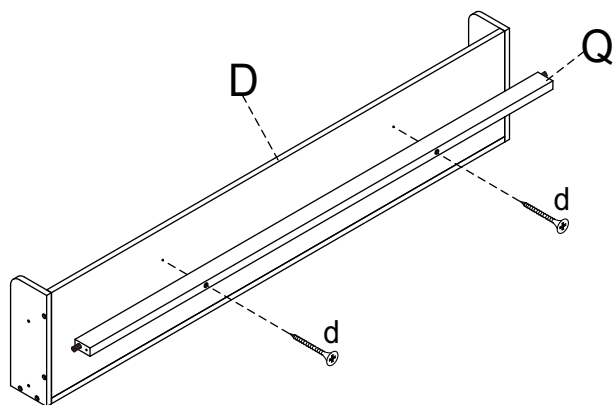
STEP 18

 X2  X1



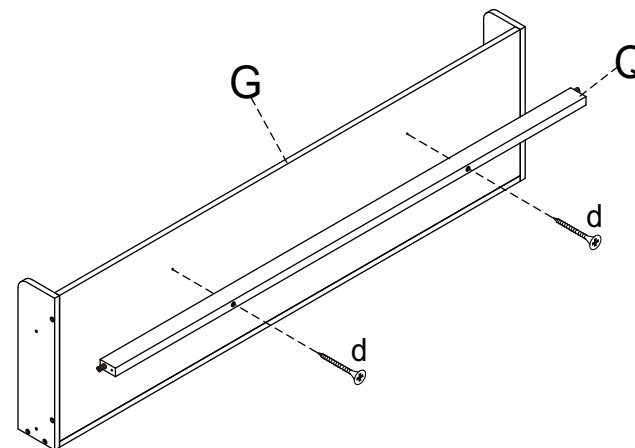
STEP 19

 X2



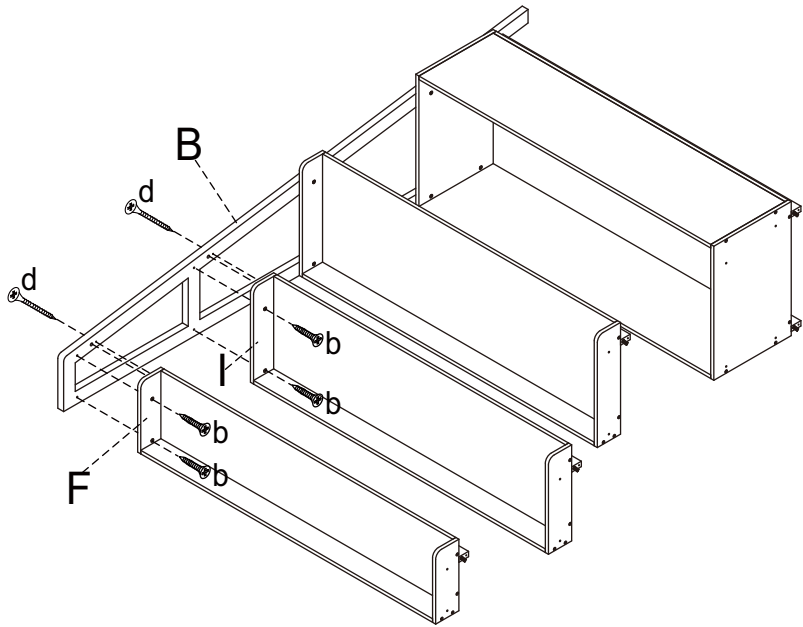
STEP 20

 X2



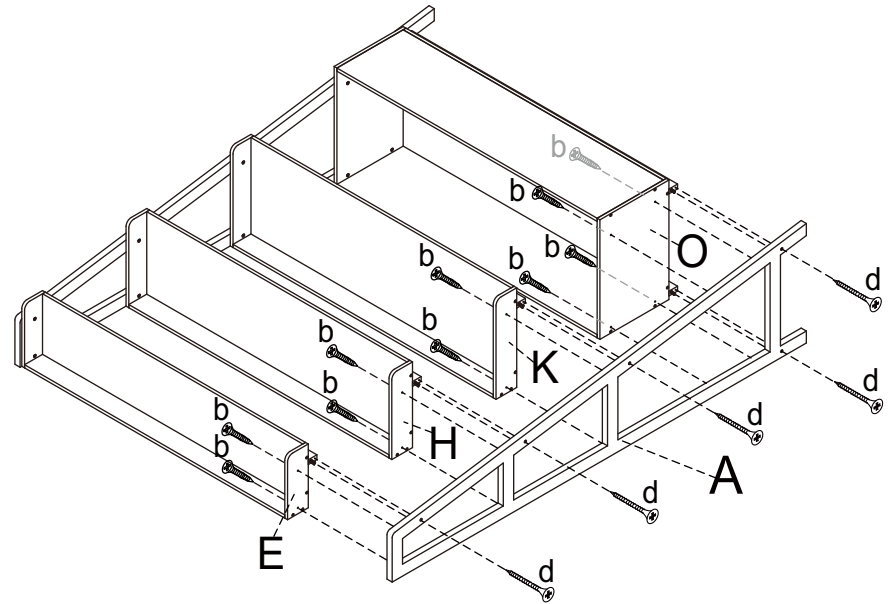
STEP 21

 X4  X2



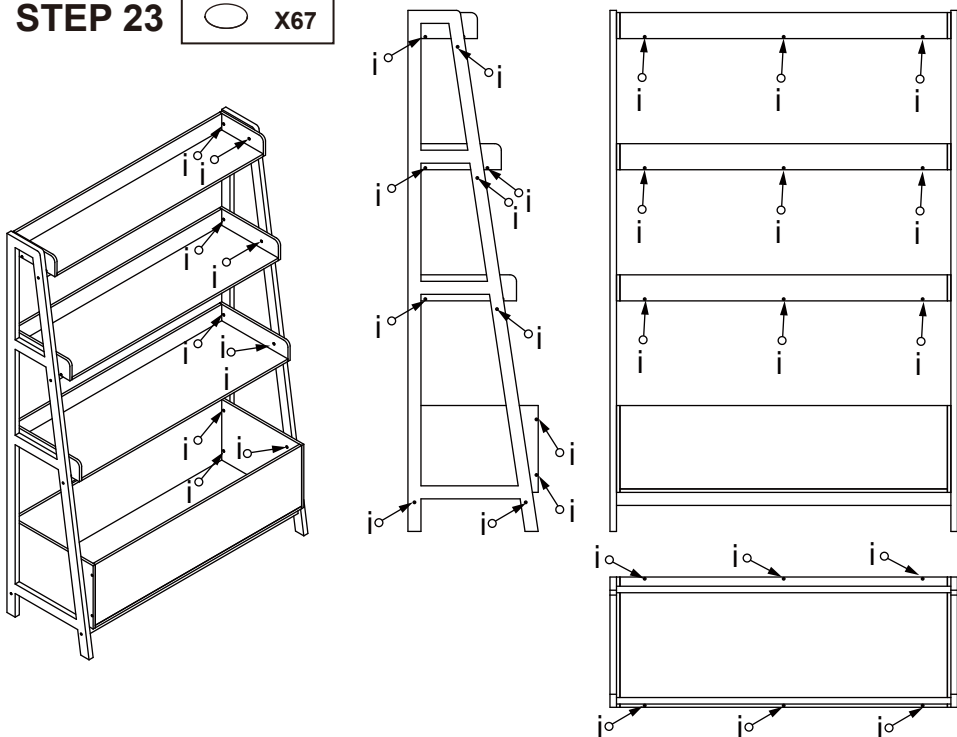
STEP 22

 X5  X10



STEP 23

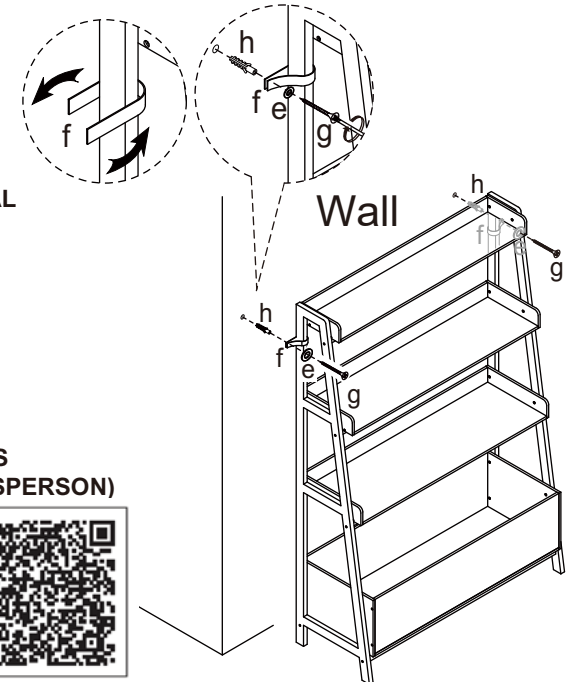
 X67



STEP 24

 X2  X2  X2  X2

USER INSTRUCTION FOR WALL FIXINGS:
 IT IS STRONGLY RECOMMENDED THAT THIS PRODUCT IS PERMANENTLY FIXED TO THE WALL. PLEASE SEEK PROFESSIONAL ADVICE IF YOU ARE IN DOUBT OF WHAT FIXING DEVICE TO USE. REGULARLY CHECK THAT WALL FIXINGS ARE SECURELY MAINTAINED. FOR YOUR SAFETY WHEN ATTACHING THE ANCHOR FIXINGS, PLEASE NOTE THE FOLLOWING: CHECK ANY ELECTRICAL WIRES OR PLUMBING INSIDE THE WALL BEFORE DRILLING ANY HOLES (IF YOU ARE UNSURE PLEASE SEEK PROFESSIONAL ADVICE FROM A QUALIFIED TRADESPERSON)



WARNING: PLEASE SECURE YOUR FURNITURE WITH THE SUPPLIED WALL FIXING. SCAN THE CODE FOR MORE INFORMATION.

