

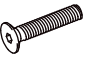










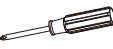

Assembly Instructions

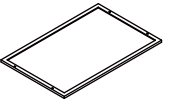
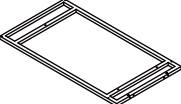
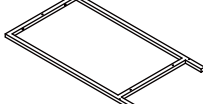
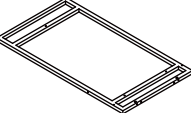
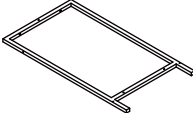
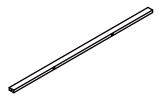

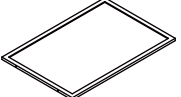

43036561 Bamboo garment rack with shelves

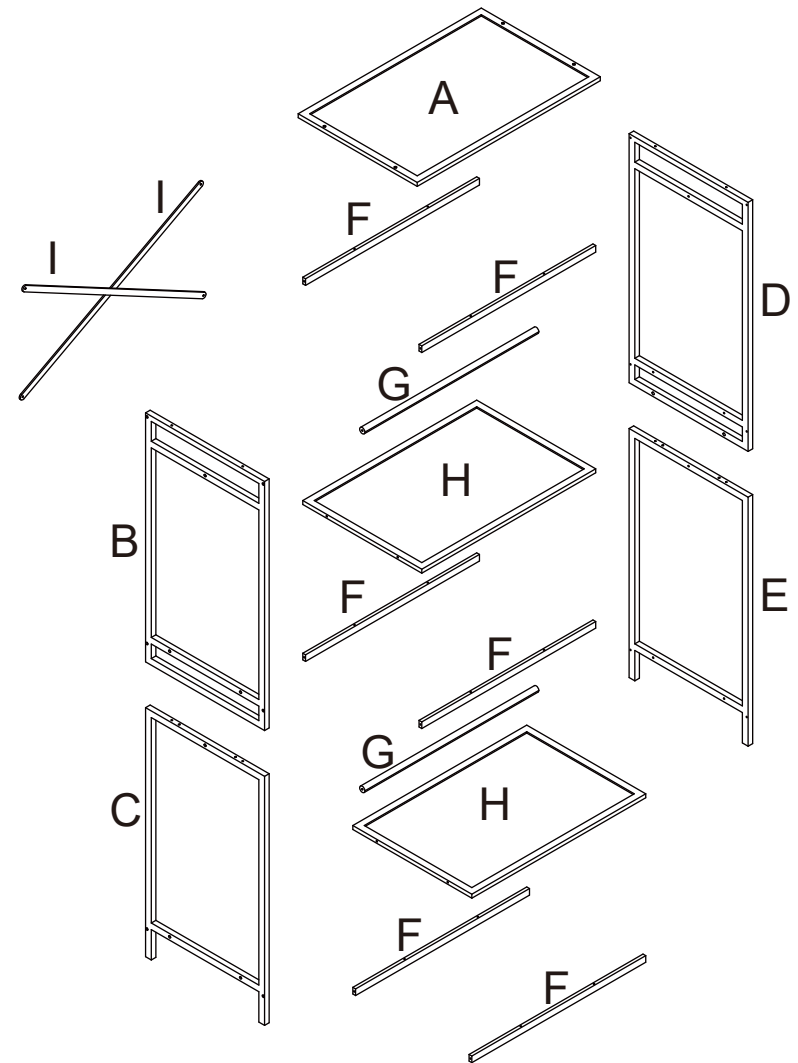
CARE INSTRUCTION: WIPE CLEAN WITH A SOFT DRY OR DAMP CLOTH. KEEP AWAY FROM WATER AND DIRECT SUNLIGHT. FOR INDOOR AND DOMESTIC USE. CHECK AND TIGHTEN ALL PARTS REGULARLY.

WARNING: DO NOT STAND OR SIT ON THE UNIT. DO NOT LEAN ON THE PRODUCT. DO NOT DRAG THE PRODUCT. USE ONLY ON A FLAT SURFACE. DO NOT USE UNTIL ALL SCREWS, BOLTS AND KNOBS ARE FIRMLY SECURED. THIS PRODUCT CONTAINS SMALL PARTS AND SHARP POINTS, KEEP AWAY FROM CHILDREN AND BABIES. ADULT ASSEMBLY REQUIRED. FAILURE TO FOLLOW THESE WARNINGS COULD RESULT IN SERIOUS INJURY. MAXIMUM TOTAL LOADING WEIGHT: 36KGS (10KGS FOR EACH SHELF AND 8KGS FOR EACH CLOTHES RAIL)

Hardware list

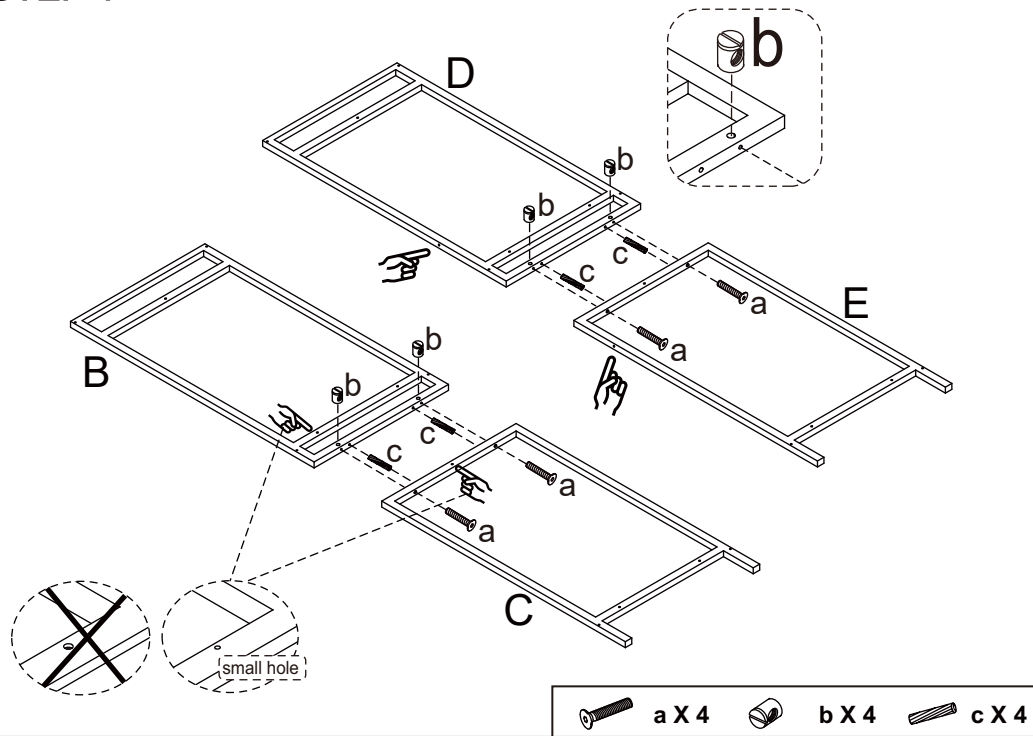
	a	6X40mm	4PCS		h	4X30mm	12PCS
	b		4PCS		i	4X40mm	2PCS
	c	8X30mm	4PCS		j		2PCS
	d	5X40mm	24PCS		k		2PCS
	e	5X30mm	4PCS		l		2PCS
	f	4X20mm	4PCS	 Tool required Philips Head Screw Driver (Not Provided)			
	g		1PC				

					
A	1 PC	B	1 PC	C	1 PC
					
D	1 PC	E	1 PC	F	6 PCS
					
G	2 PCS	H	2 PCS	I	2 PCS

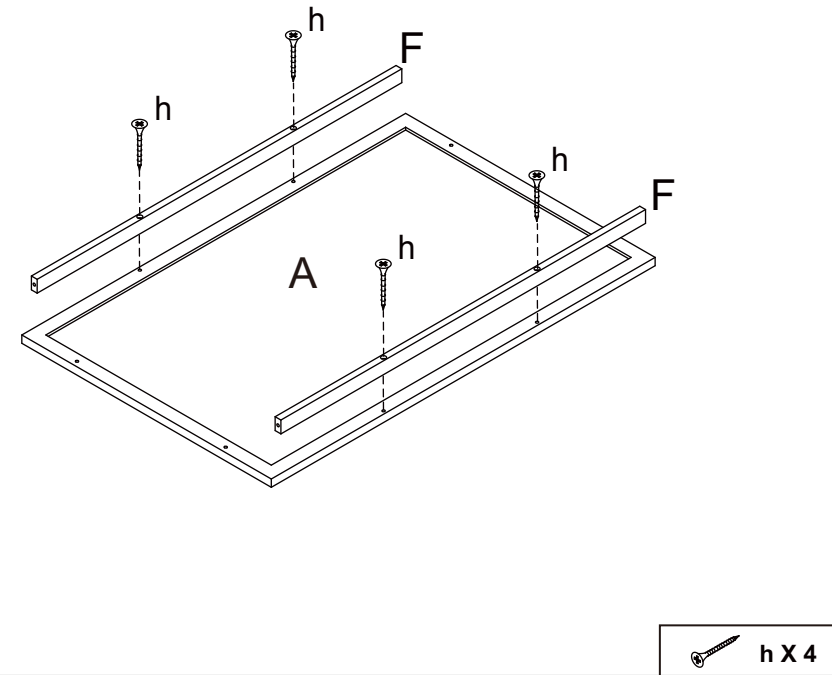


DO NOT TIGHTEN THE SCREWS UNTIL THE PRODUCT IS FULLY ASSEMBLED.

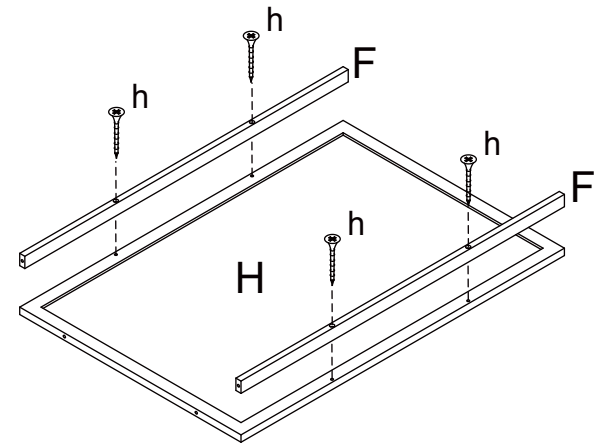
STEP 1



STEP 2

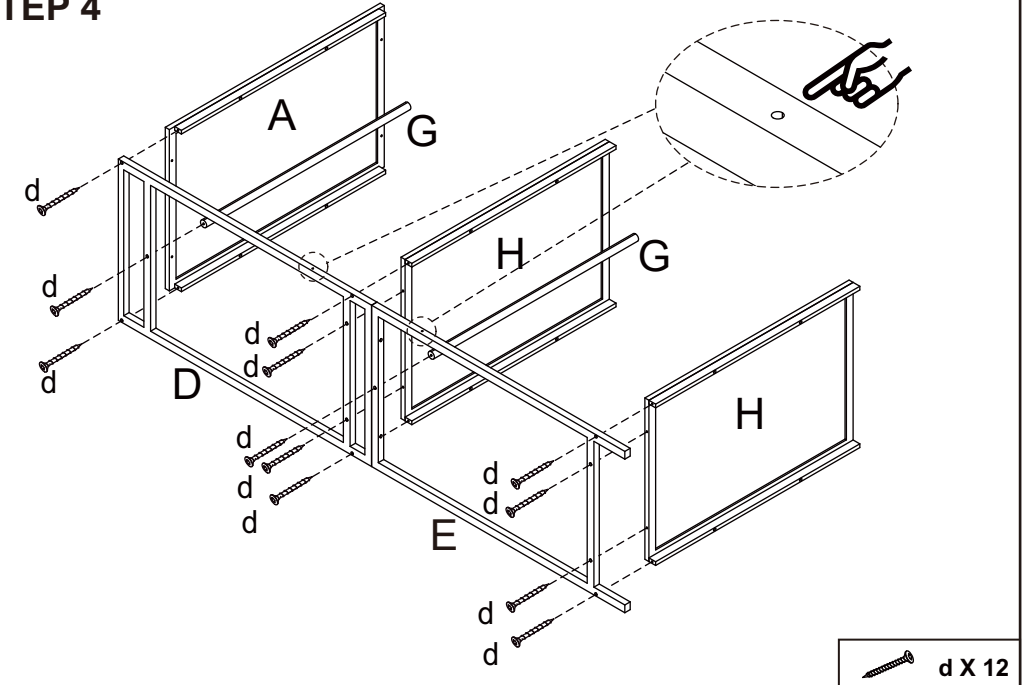


STEP 3

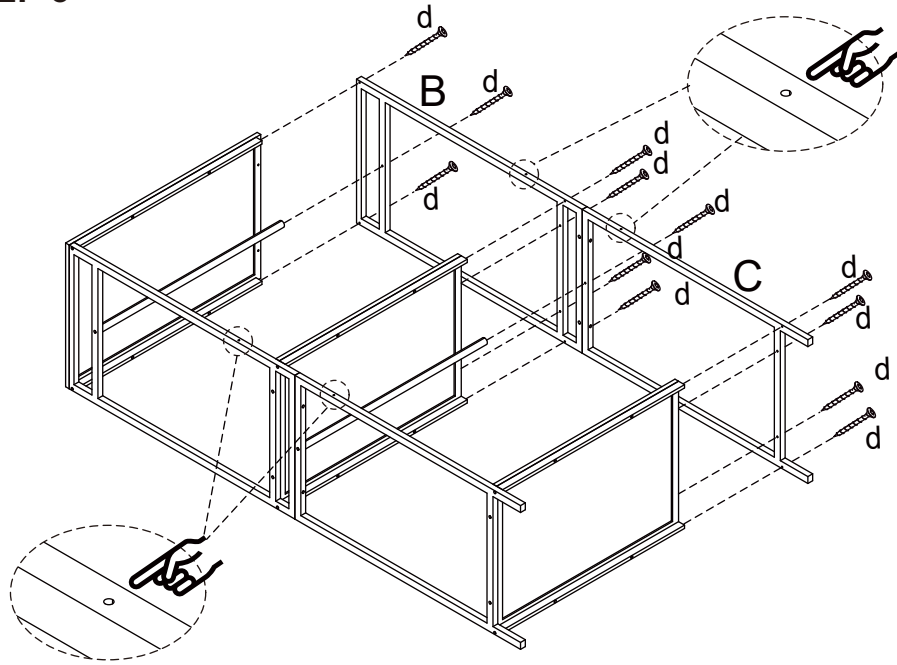


x2

STEP 4

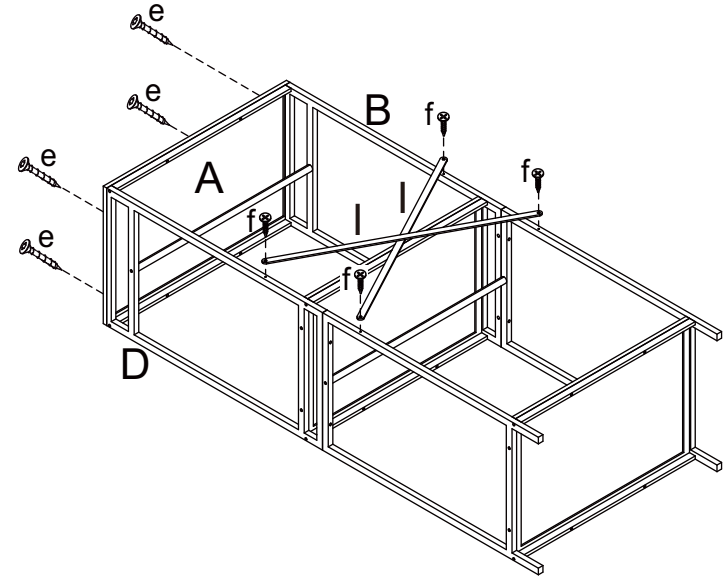


STEP 5



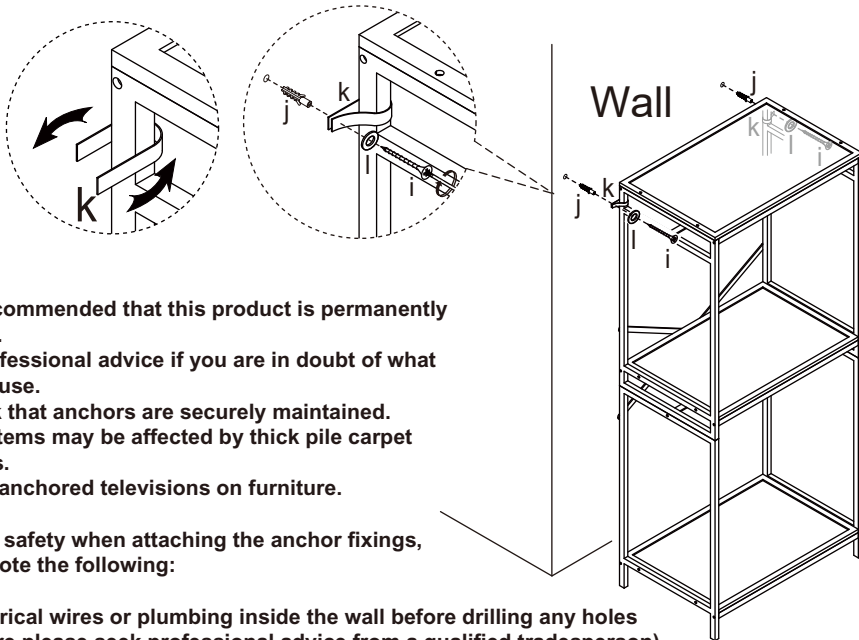
 d X 12

STEP 6



 e X 4  f X 4

STEP 7



Warning:

- It is strongly recommended that this product is permanently fixed to the wall.
- Please seek professional advice if you are in doubt of what fixing device to use.
- Regularly check that anchors are securely maintained.
- Stability of tall items may be affected by thick pile carpet or uneven floors.
- Do not place unanchored televisions on furniture.

Caution: for your safety when attaching the anchor fixings, please note the following:

- Check any electrical wires or plumbing inside the wall before drilling any holes (if you are unsure please seek professional advice from a qualified tradesperson).

 i X 2  j X 2  k X 2  l X 2

STEP 8

