





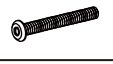




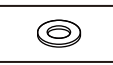




Assembly Instructions

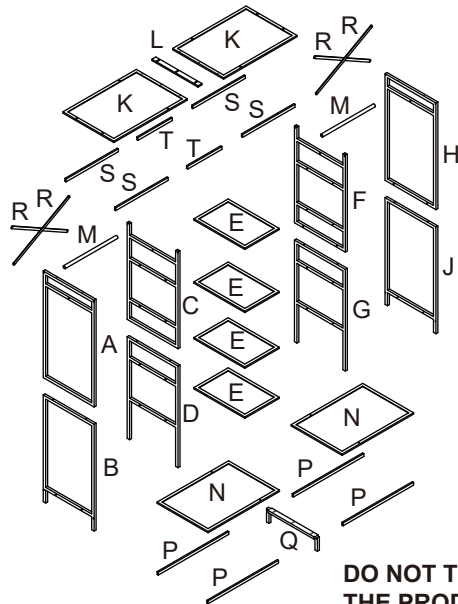
43036578 3 SECTION BAMBOO WARDROBE

CARE INSTRUCTION: WIPE CLEAN WITH A SOFT DRY OR DAMP CLOTH. KEEP AWAY FROM WATER AND DIRECT SUNLIGHT. FOR INDOOR AND DOMESTIC USE. CHECK AND TIGHTEN ALL PARTS REGULARLY.

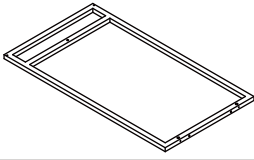
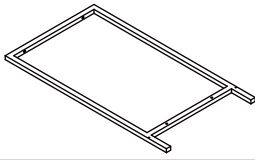
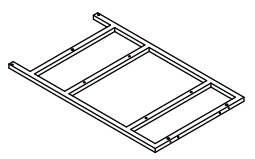
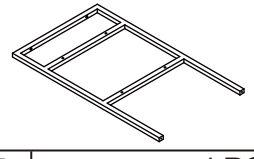
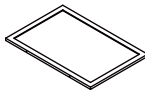
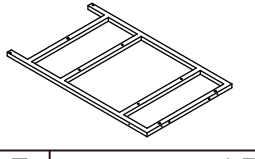
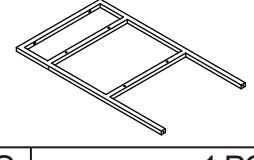
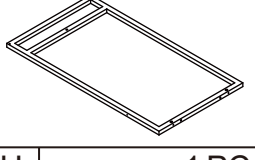
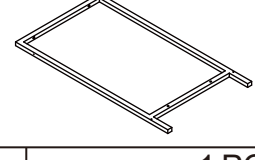
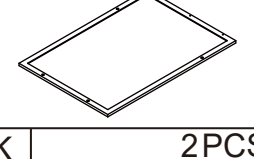
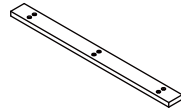
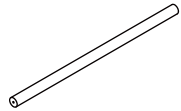
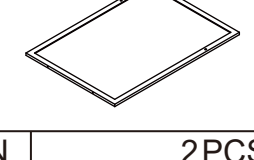
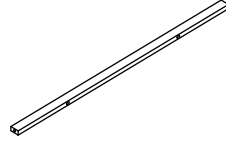
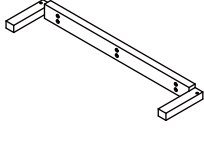

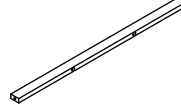
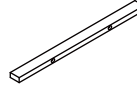
WARNING: DO NOT STAND OR SIT ON THE UNIT. DO NOT LEAN ON THE PRODUCT. DO NOT DRAG THE PRODUCT. USE ONLY ON A FLAT SURFACE. DO NOT USE UNTIL ALL SCREWS, BOLTS AND KNOBS ARE FIRMLY SECURED. THIS PRODUCT CONTAINS SMALL PARTS AND SHARP POINTS, KEEP AWAY FROM CHILDREN AND BABIES. ADULT ASSEMBLY REQUIRED. FAILURE TO FOLLOW THESE WARNINGS COULD RESULT IN SERIOUS INJURY. MAXIMUM TOTAL LOADING WEIGHT: 56KG (7KG FOR EACH SHELF AND EACH CLOTHES RAIL)

Hardware list

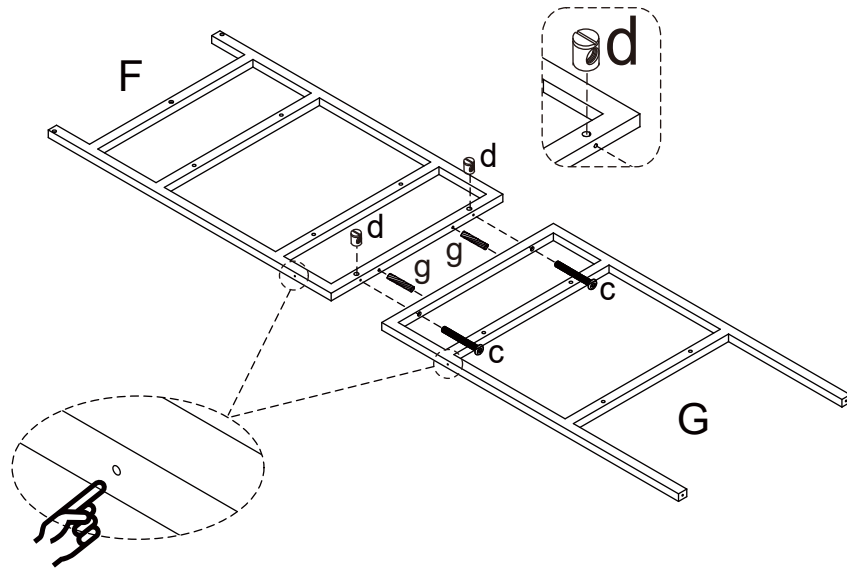
	a	5X40mm	36PCS		h	6X60mm	2PCS
	b	5X30mm	12PCS		i	4X40mm	2PCS
	c	6X42mm	8PCS		j		2PCS
	d		8PCS		k		2PCS
	e	4X20mm	20PCS		l		2PCS
	f	4X30mm	20PCS		M	hex key	1PC
	g	8X30mm	8PCS		Tool required Philips Head Screw Driver (Not Provided)		



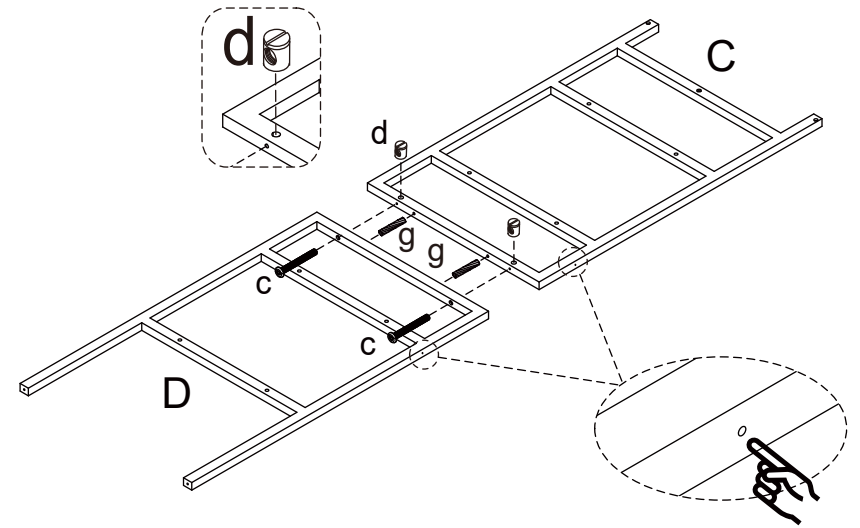
DO NOT TIGHTEN THE SCREWS UNTIL THE PRODUCT IS FULLY ASSEMBLED.

	A	1 PC		B	1 PC		C	1 PC
	D	1 PC		E	4 PCS		F	1 PC
	G	1 PC		H	1 PC		J	1 PC
	K	2 PCS		L	1 PC		M	2 PCS
	N	2 PCS		P	4 PCS		Q	1 PC
	R	4 PCS		S	4 PCS		T	2 PCS

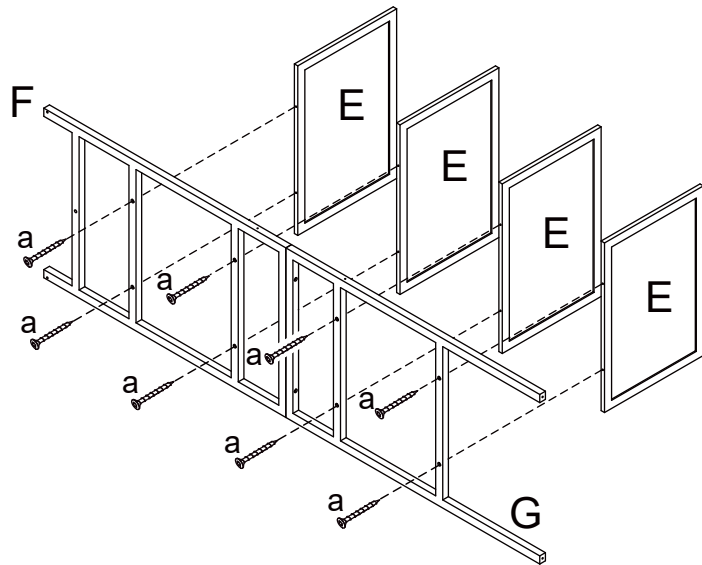
STEP 1



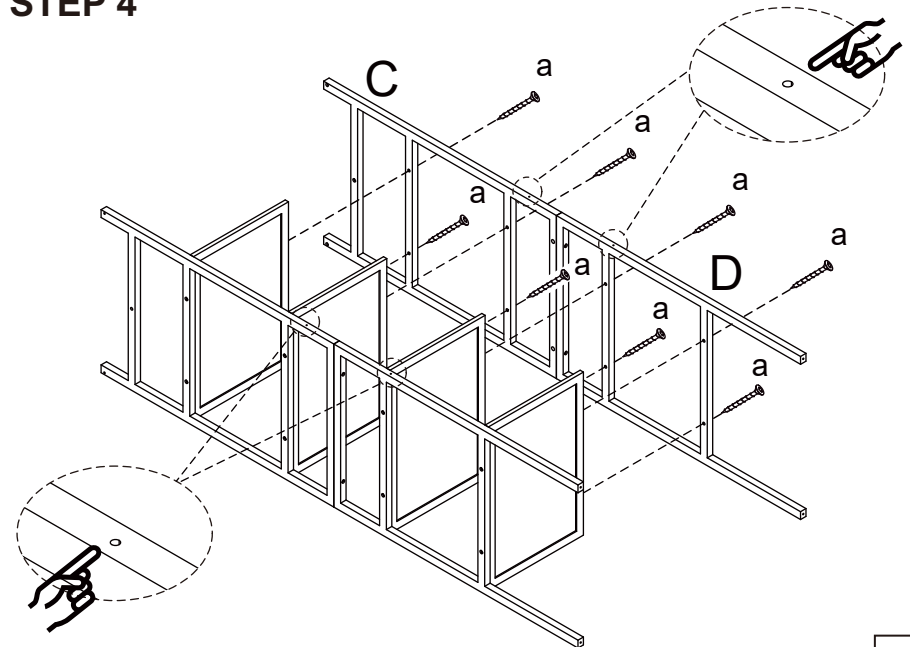
STEP 2



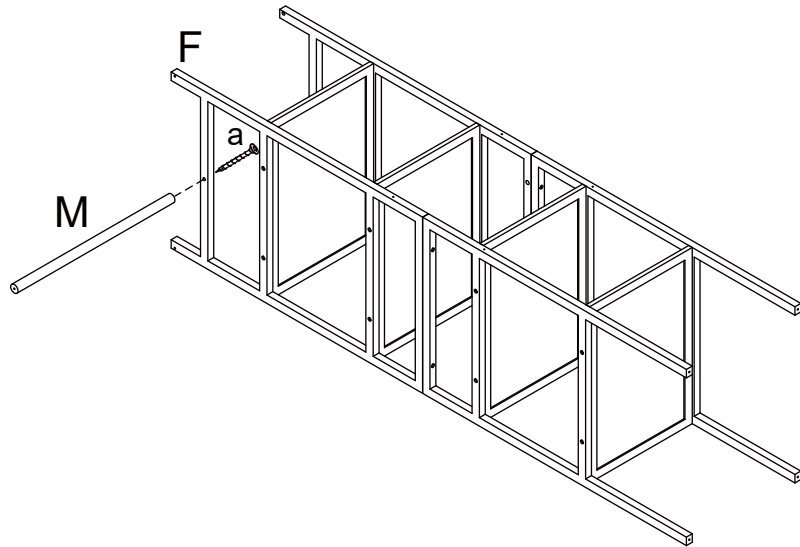
STEP 3



STEP 4

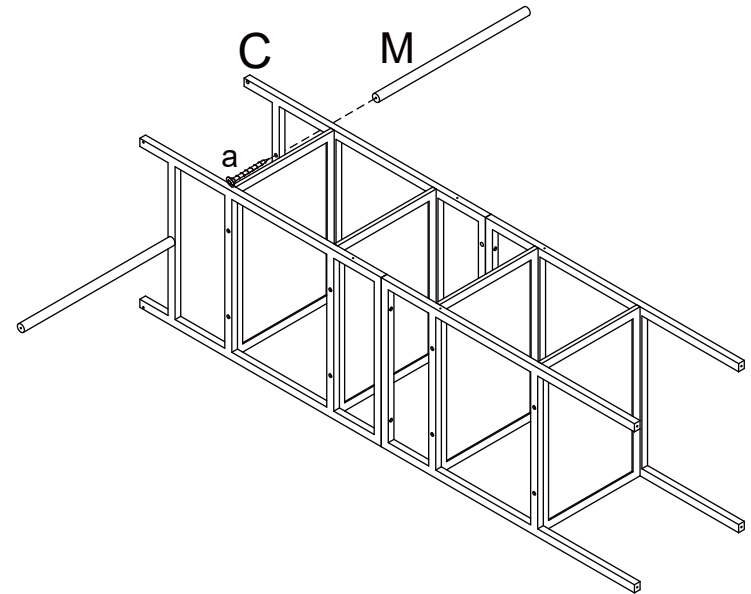


STEP 5



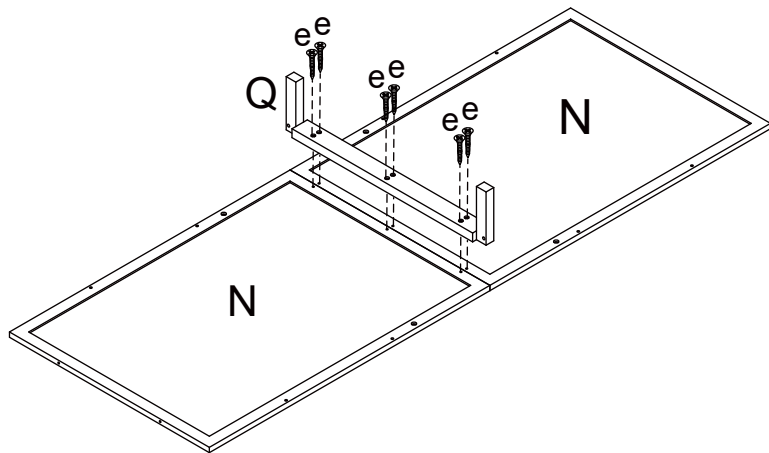
 a X 1

STEP 6



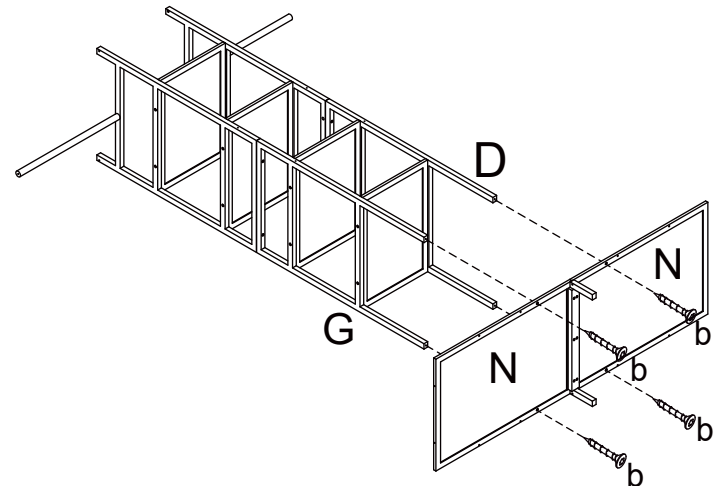
 a X 1

STEP 7



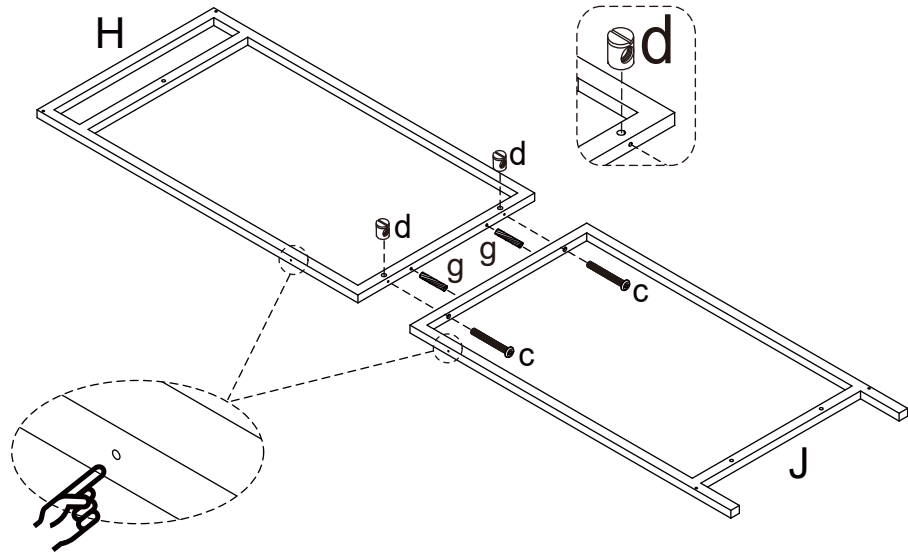
 e X 6

STEP 8



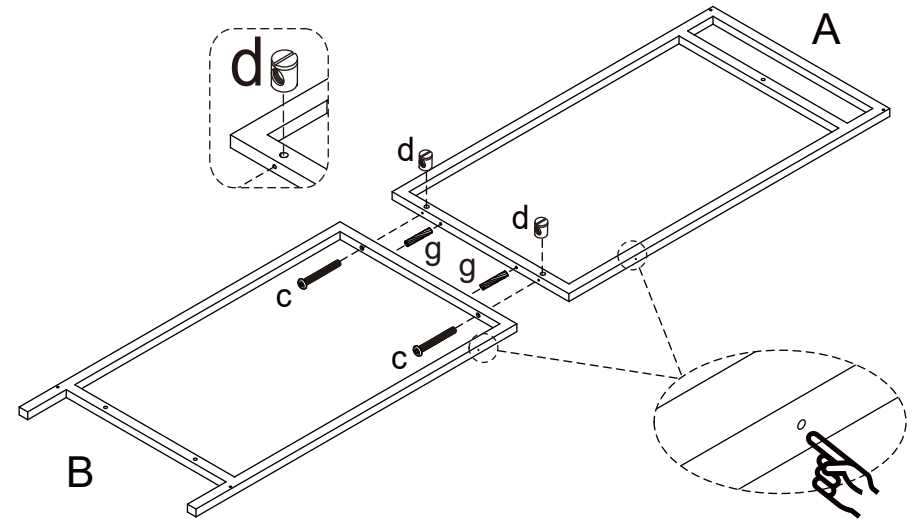
 b X 4

STEP 9



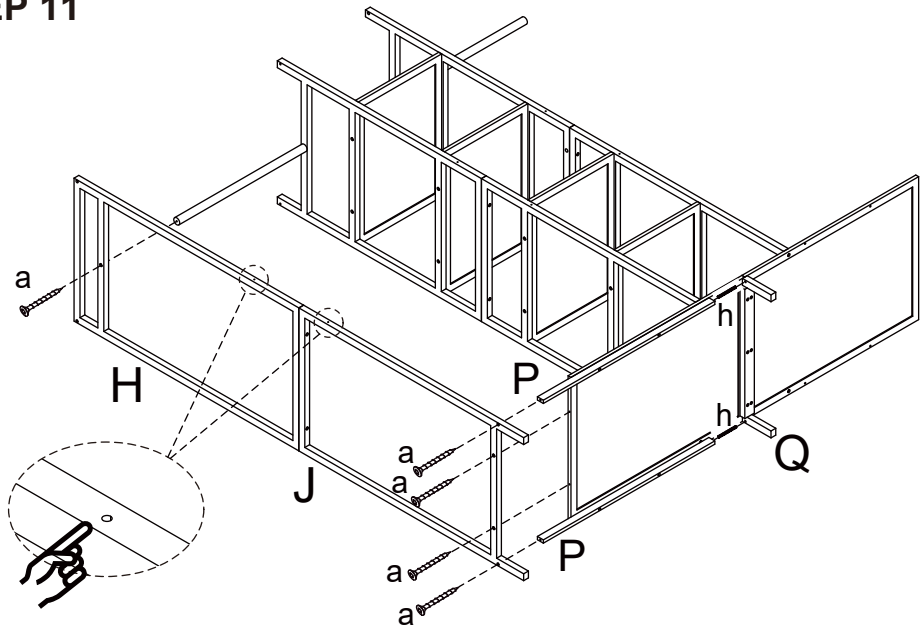
c X 2 d X 2 g X 2

STEP 10



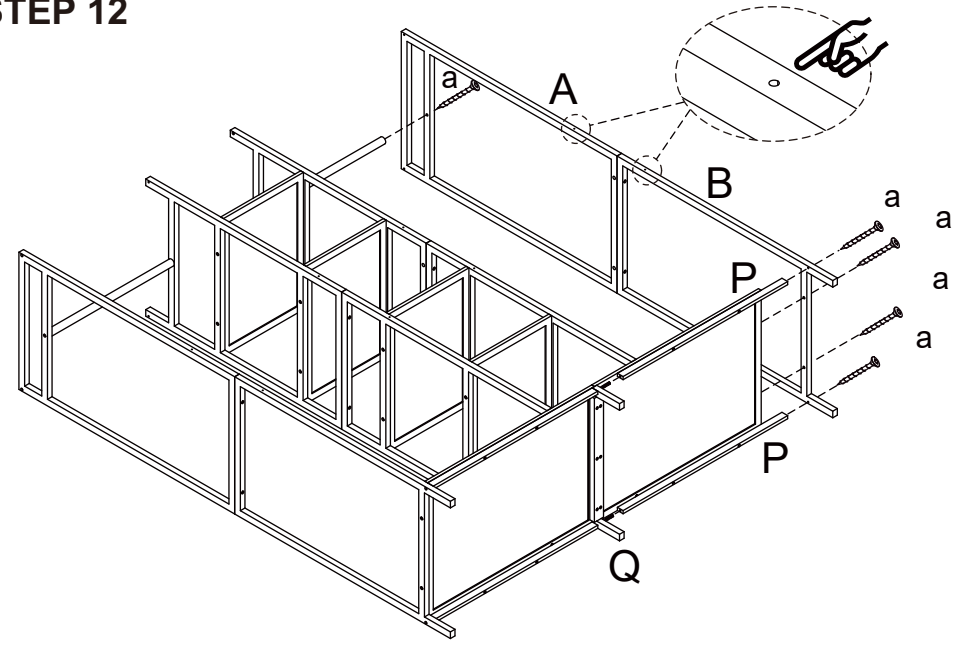
c X 2 d X 2 g X 2

STEP 11



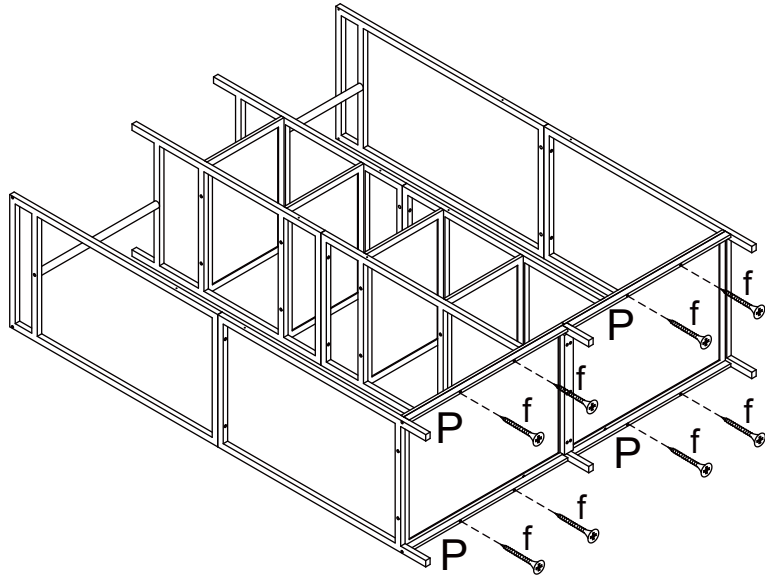
a X 5 h X 2

STEP 12



a X 5

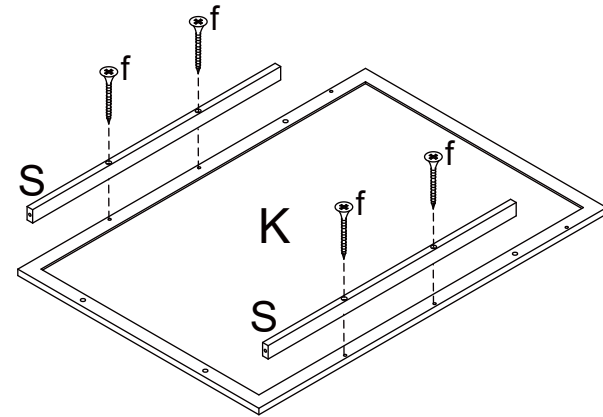
STEP 13



 f X 8

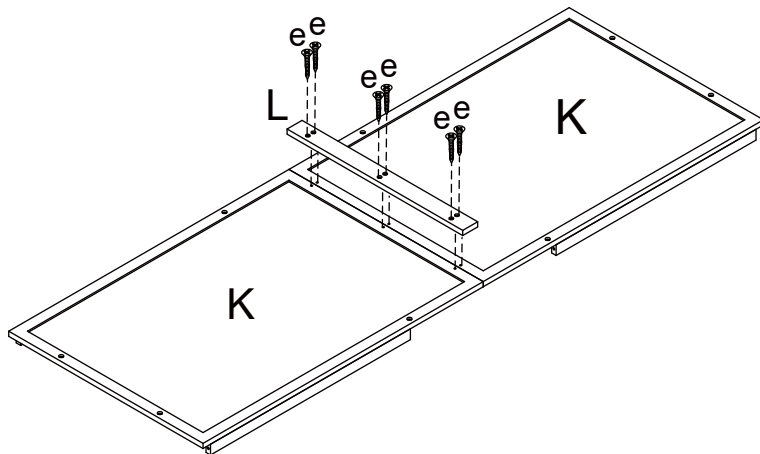
STEP 14

x2



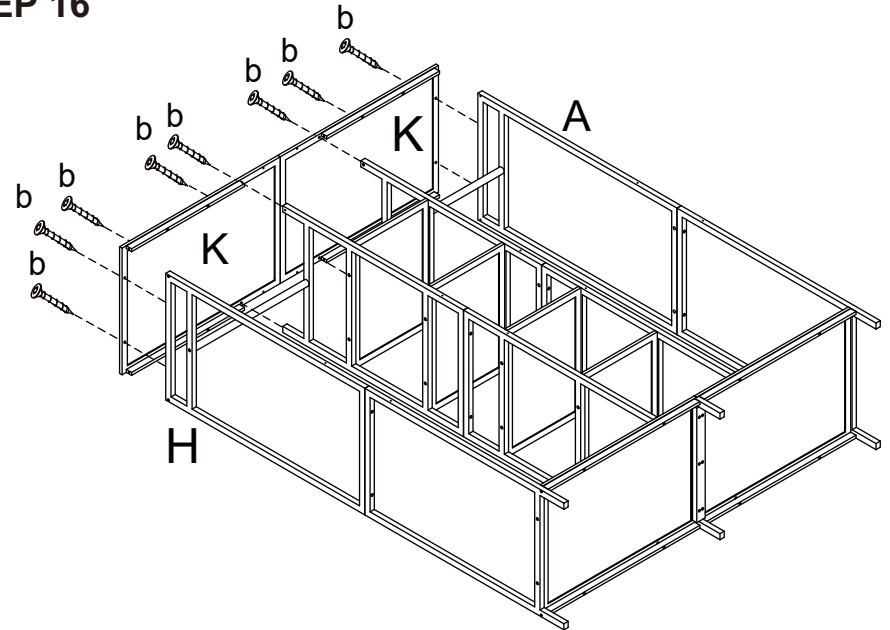
 f X 8

STEP 15



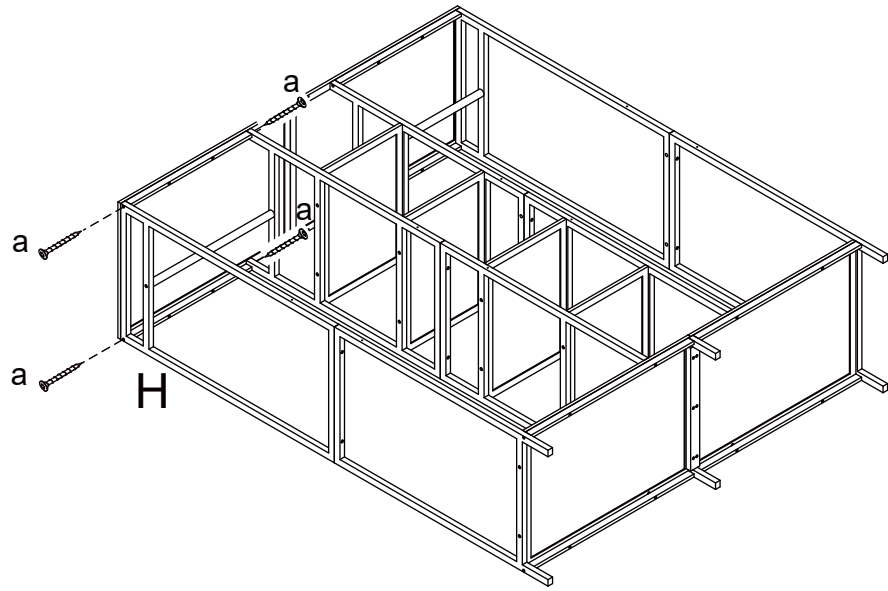
 ee X 6

STEP 16



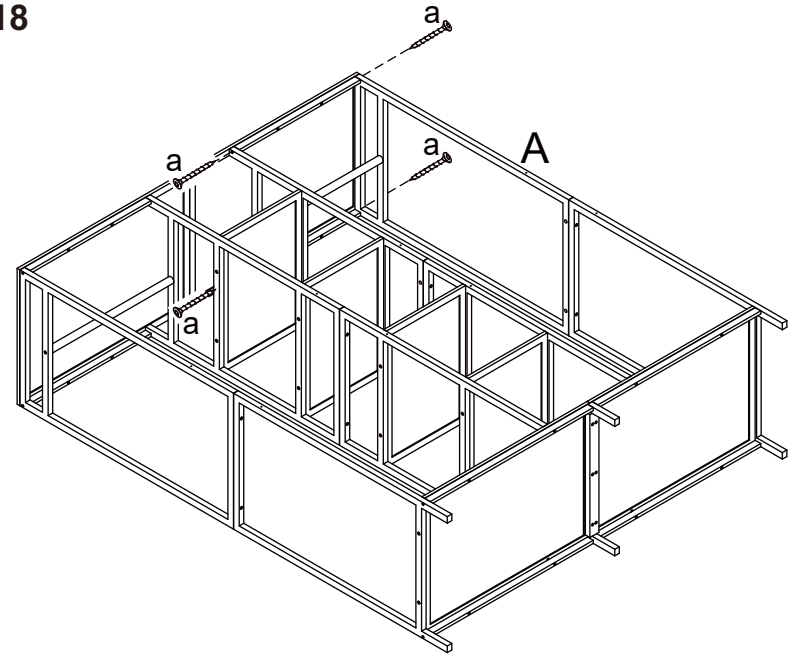
 b X 8

STEP 17



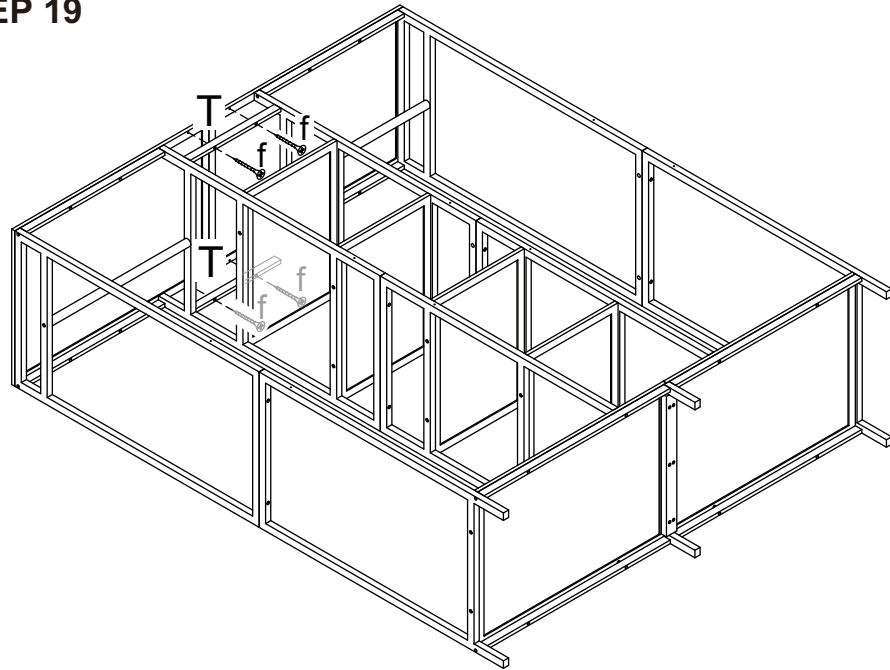
 a X 4

STEP 18



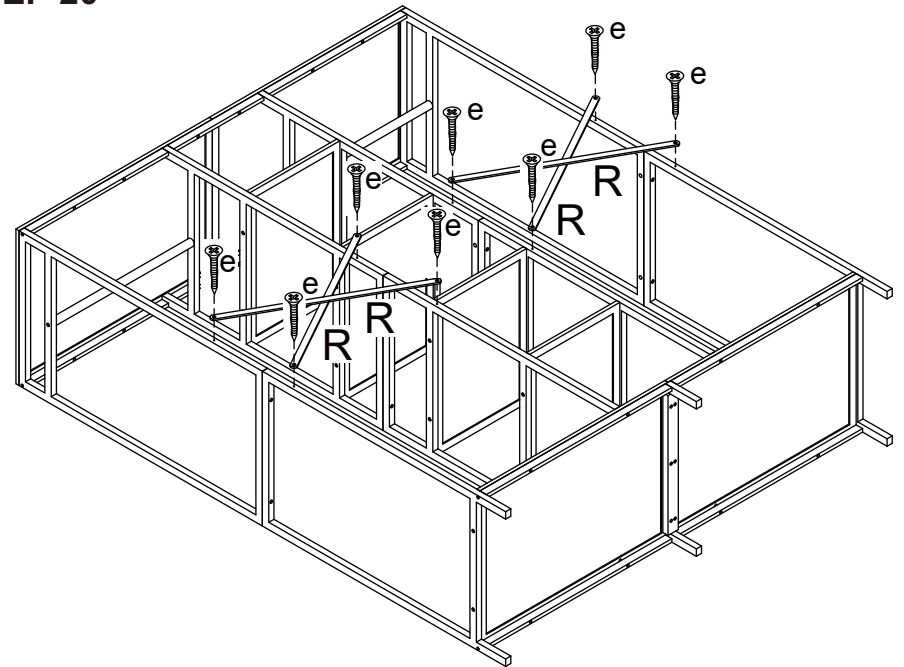
 a X 4

STEP 19



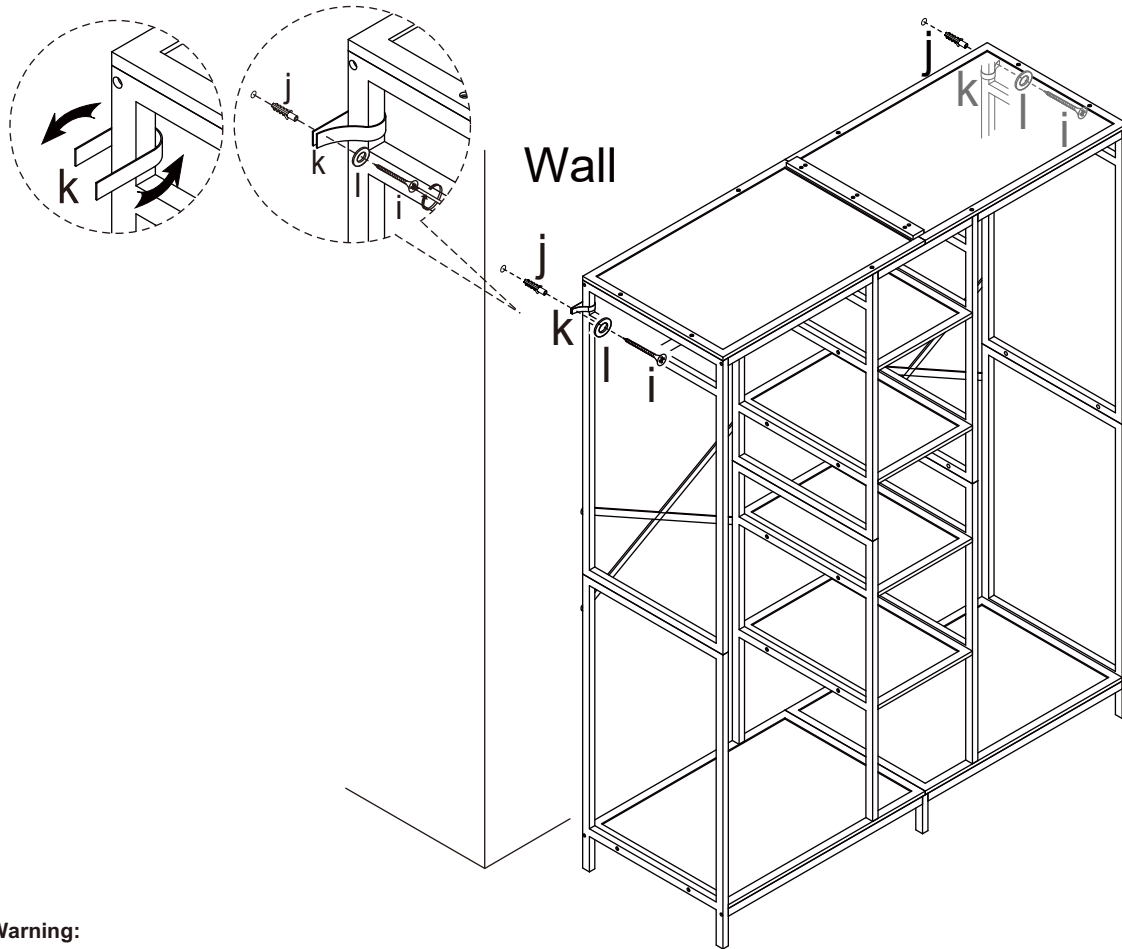
 f X 4

STEP 20



 e X 8

STEP 21



Warning:

- It is strongly recommended that this product is permanently fixed to the wall.
- Please seek professional advice if you are in doubt of what fixing device to use.
- Regularly check that anchors are securely maintained.
- Stability of tall items may be affected by thick pile carpet or uneven floors.
- Do not place unanchored televisions on furniture.

Caution: for your safety when attaching the anchor fixings, please note the following:

- Check any electrical wires or plumbing inside the wall before drilling any holes (if you are unsure please seek professional advice from a qualified tradesperson).



i X 2



j X 2



k X 2



l X 2

STEP 22

