








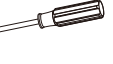



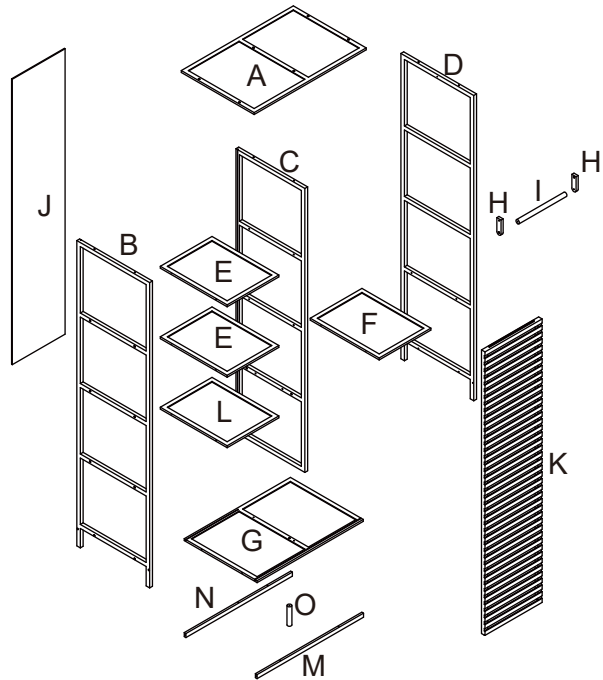
Assembly Instructions

43036585 BAMBOO WARDROBE WITH SLIDING DOOR

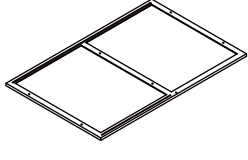
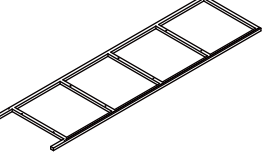
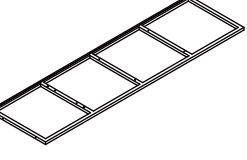
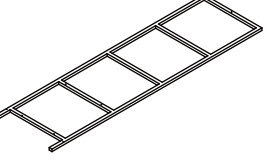
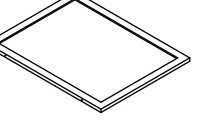
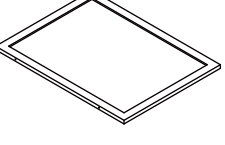
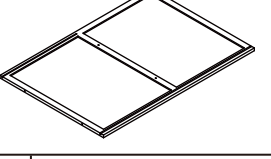

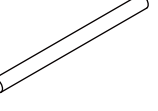
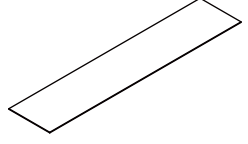
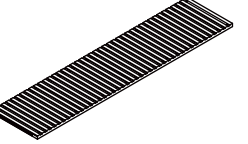
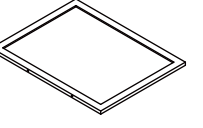
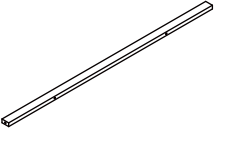
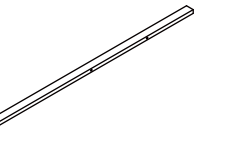

WARNING: MAXIMUM TOTAL LOADING WEIGHT: 35KGS (5KGS FOR EACH MIDDLE SHELF AND CLOTHES RAIL, 10KGS FOR THE BOTTOM SHELF)

Hardware list

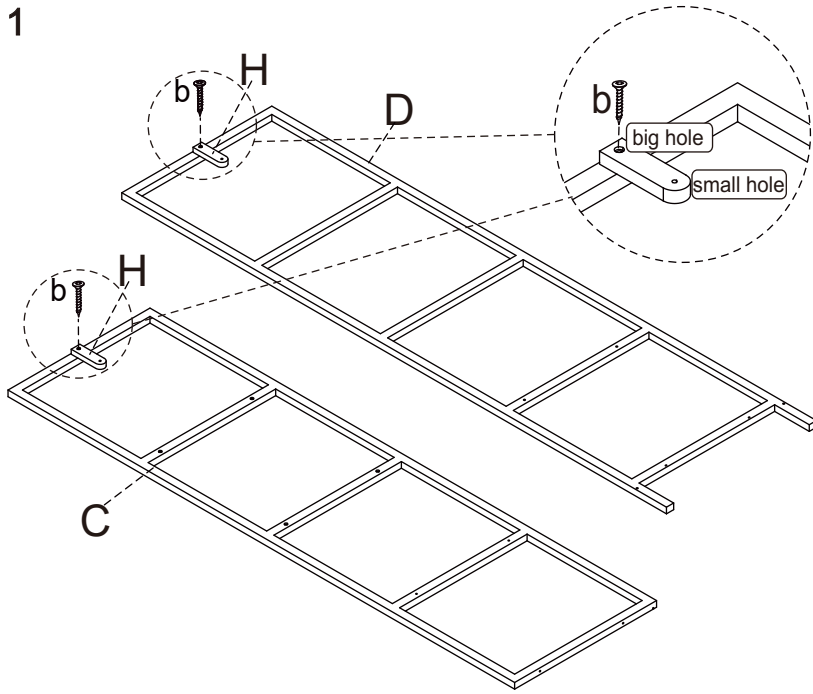
	a	5X40mm	25PCS		g		1PC
	b	5X30mm	10PCS		h		1PC
	c	6X30mm	2PCS		i		1PC
	d	4X30mm	5PCS		j	4X16mm	1PC
	e	3X12mm	6PCS	 Tool required Philips Head Screw Driver (Not Provided)			
	f		6PCS				



DO NOT TIGHTEN THE SCREWS UNTIL THE PRODUCT IS FULLY ASSEMBLED. FOR INDOOR USE ONLY.

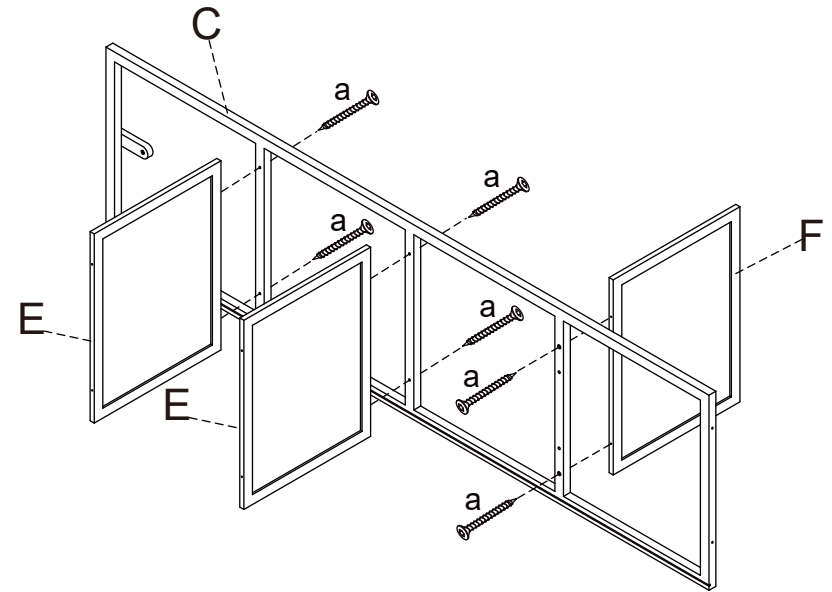
	A	1 PC		B	1 PC		C	1 PC
	D	1 PC		E	2 PCS		F	1 PC
	G	1 PC		H	2 PCS		I	1 PC
	J	1 PC		K	1 PC		L	1 PC
	M	1 PC		N	1 PC		O	1 PC

STEP 1



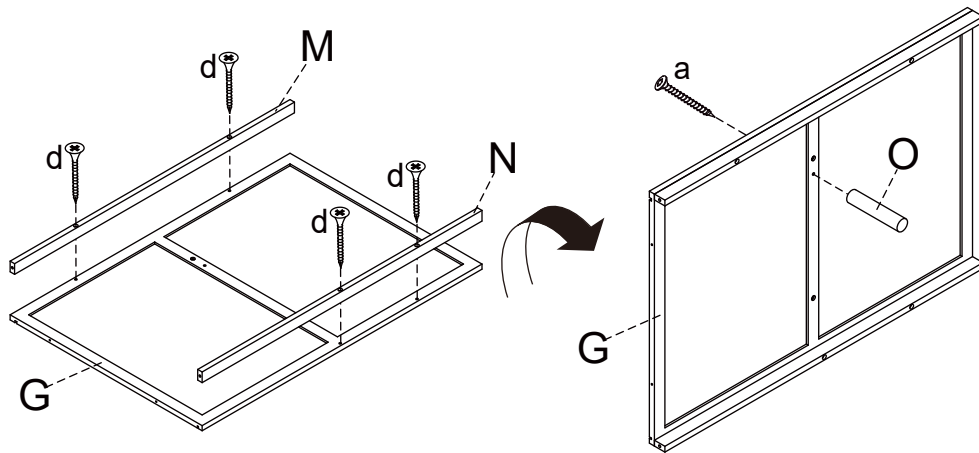
 b X 2

STEP 2



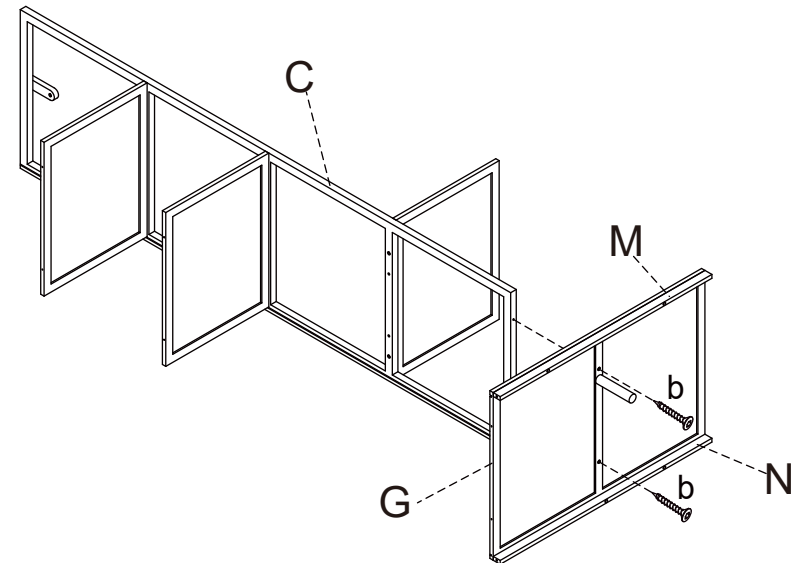
 a X 6


STEP 3



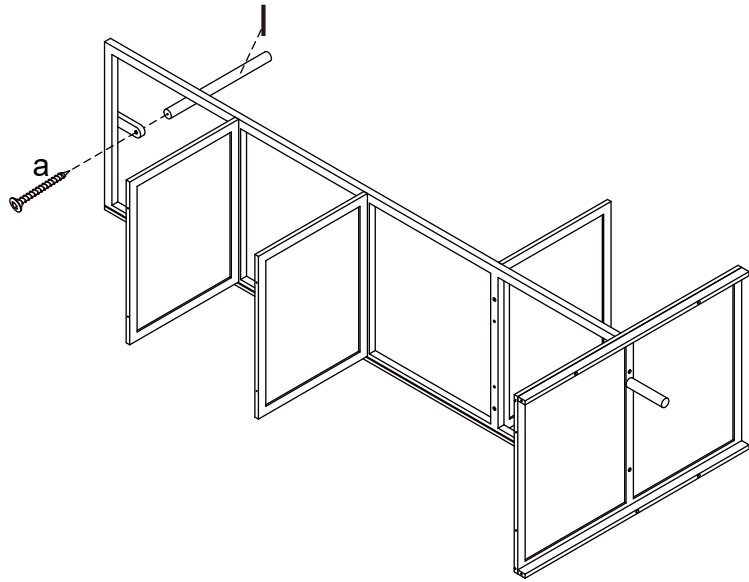
 a X 1  d X 4

STEP 4



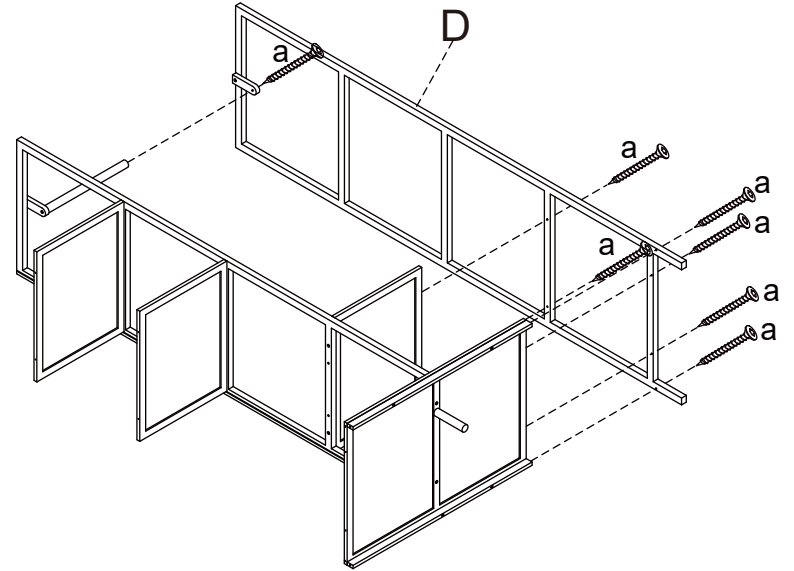
 b X 2

STEP 5



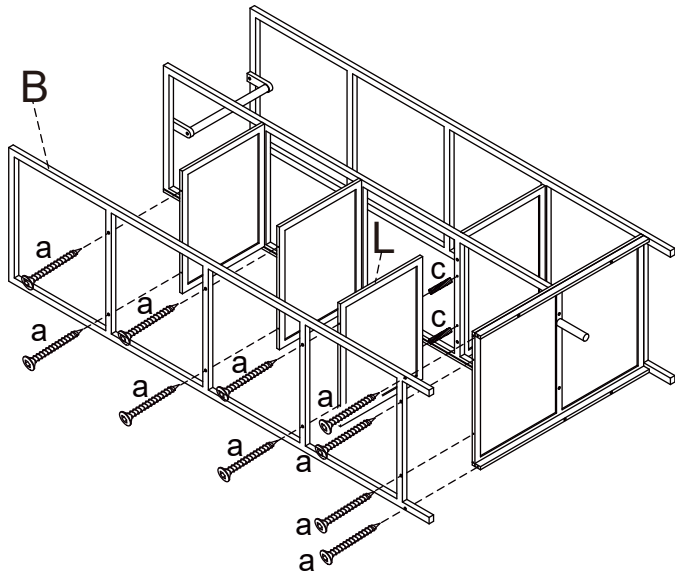
 a X 1

STEP 6



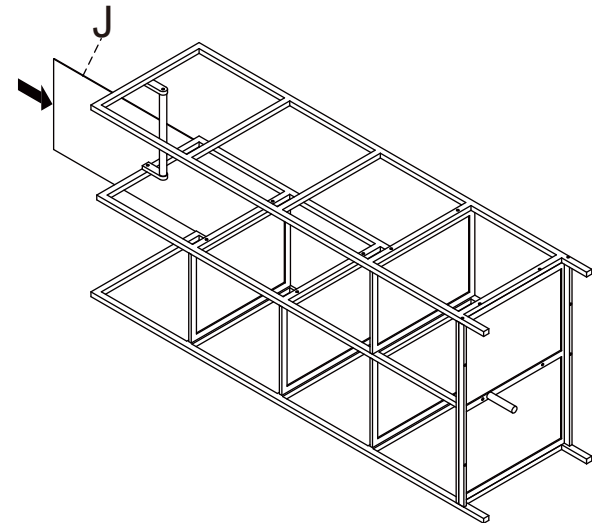
 a X 7

STEP 7

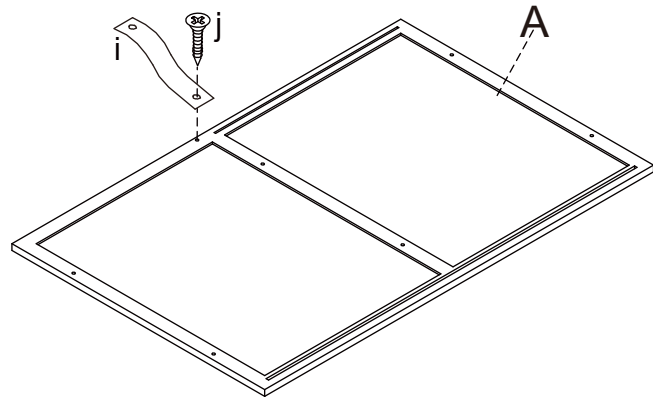


 a X 10  c X 2

STEP 8

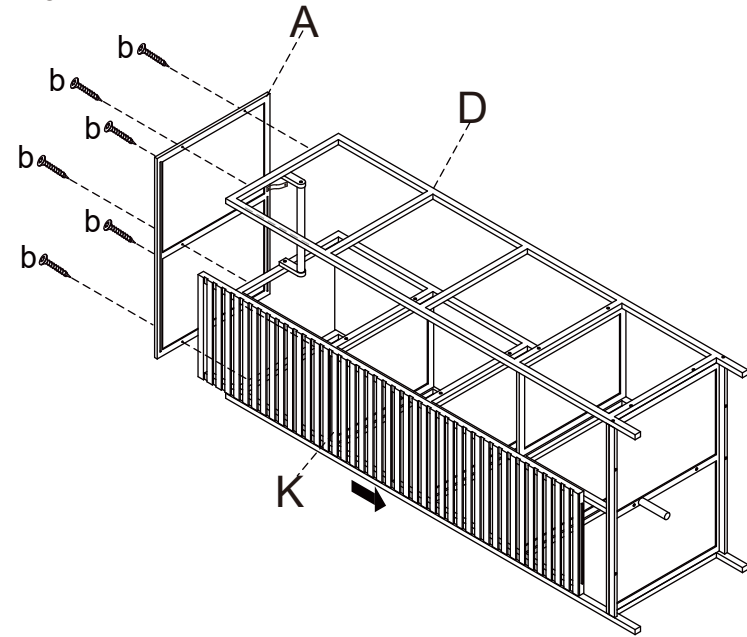



STEP 9



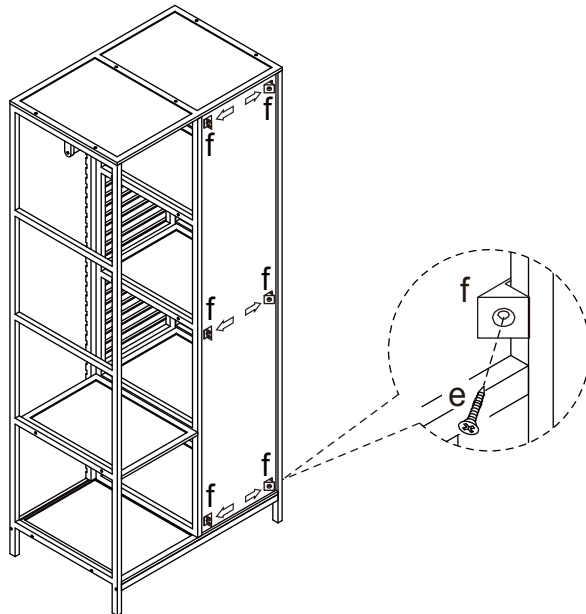
 i X 1  j X 1

STEP 10



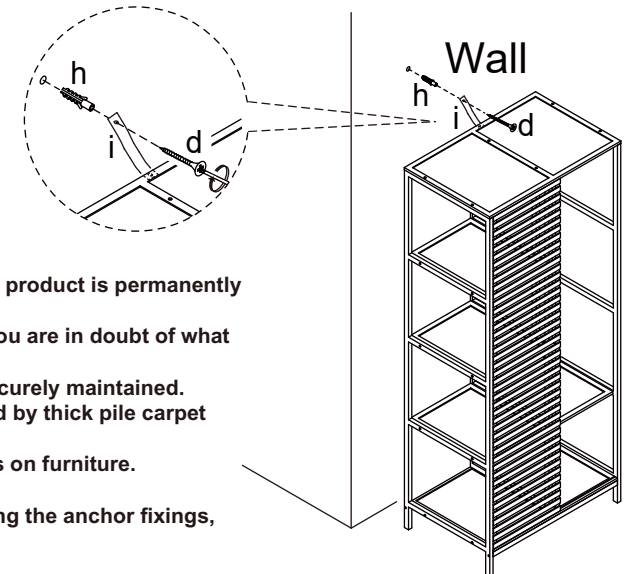
 b X 6

STEP 11



 e X 6  f X 6

STEP 12





Warning:

- It is strongly recommended that this product is permanently fixed to the wall.
- Please seek professional advice if you are in doubt of what fixing device to use.
- Regularly check that anchors are securely maintained.
- Stability of tall items may be affected by thick pile carpet or uneven floors.
- Do not place unanchored televisions on furniture.

Caution: for your safety when attaching the anchor fixings, please note the following:

- Check any electrical wires or plumbing inside the wall before drilling any holes (if you are unsure please seek professional advice from a qualified tradesperson).

 d X 1  h X 1