






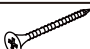












Assembly Instructions

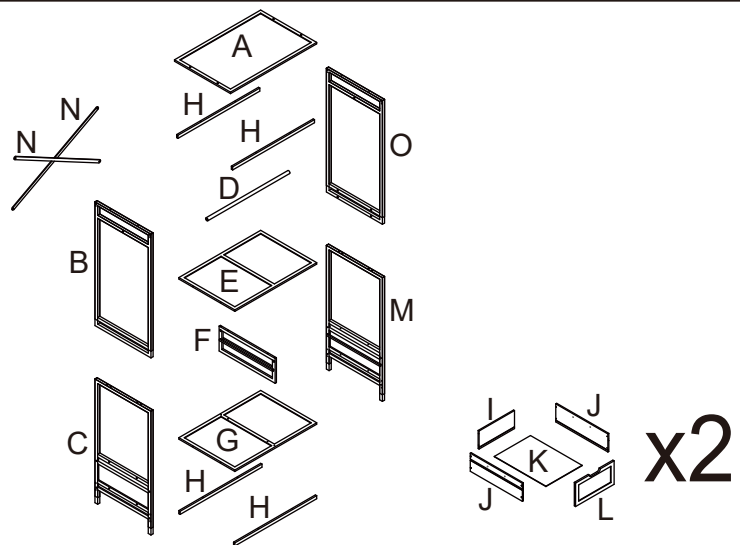
43036592 Bamboo garment rack with drawers

CARE INSTRUCTION: WIPE CLEAN WITH A SOFT DRY OR DAMP CLOTH. KEEP AWAY FROM WATER AND DIRECT SUNLIGHT. FOR INDOOR AND DOMESTIC USE. CHECK AND TIGHTEN ALL PARTS REGULARLY.

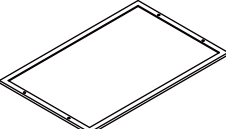
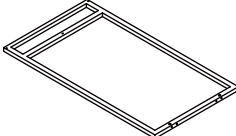
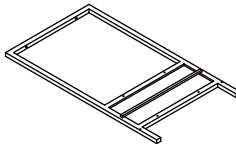
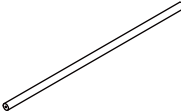
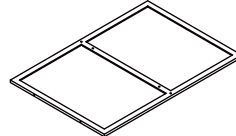
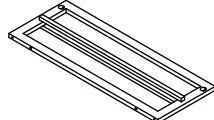
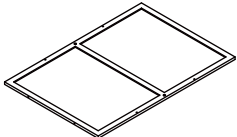
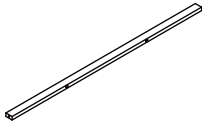
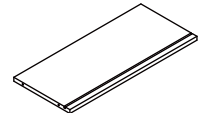
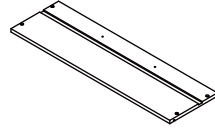
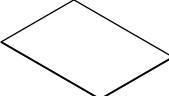
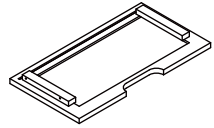
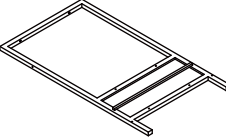

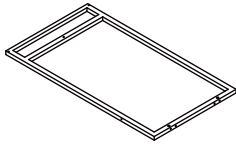
WARNING: DO NOT STAND OR SIT ON THE UNIT. DO NOT LEAN ON THE PRODUCT. DO NOT DRAG THE PRODUCT. USE ONLY ON A FLAT SURFACE. DO NOT USE UNTIL ALL SCREWS, BOLTS AND KNOBS ARE FIRMLY SECURED. LOAD THE DRAWER EVENLY TO PREVENT IT FROM TIPPING OVER. THIS PRODUCT CONTAINS SMALL PARTS AND SHARP POINTS, KEEP AWAY FROM CHILDREN AND BABIES. ADULT ASSEMBLY REQUIRED. FAILURE TO FOLLOW THESE WARNINGS COULD RESULT IN SERIOUS INJURY. MAXIMUM TOTAL LOADING WEIGHT: 28KGS (5KGS FOR EACH DRAWER, 10KGS FOR EACH SHELF AND 8KGS FOR THE CLOTHES RAIL)

Hardware list

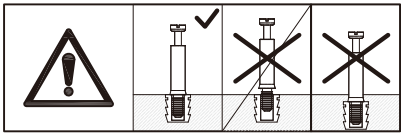
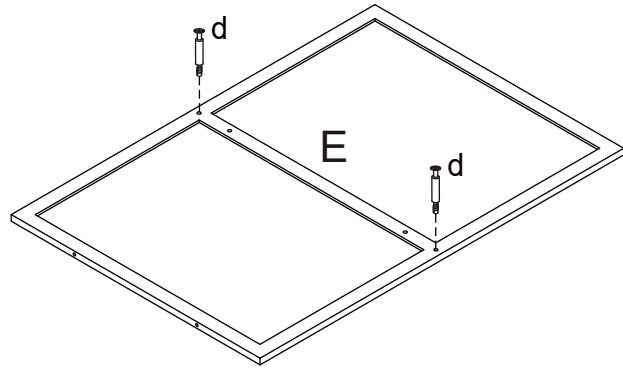
	a	6X40mm	4PCS		j		4PCS
	b		4PCS		k		1PC
	c	15X10mm	2PCS		l	4X40mm	2PCS
	d	6X35mm	2PCS		m		2PCS
	e	5X40mm	18PCS		n		2PCS
	f	5X30mm	4PCS		o		2PCS
	g	4X30mm	10PCS		p	6X30mm	4PCS
	h	3X20mm	16PCS		q	8X30mm	4PCS
	i	4X20mm	4PCS		Tool required Philips Head Screw Driver (Not Provided)		



DO NOT TIGHTEN THE SCREWS UNTIL THE PRODUCT IS FULLY ASSEMBLED.

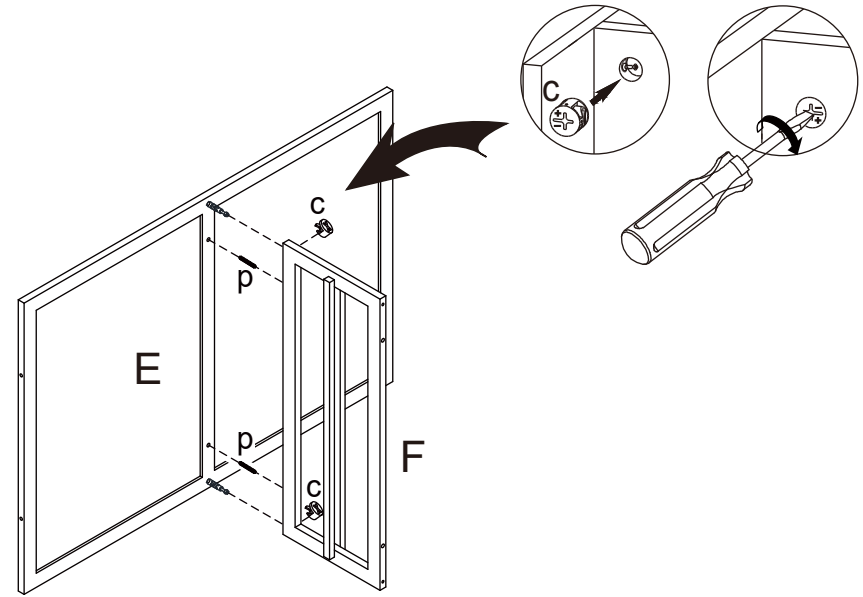
	A	1 PC		B	1 PC		C	1 PC
	D	1 PC		E	1 PC		F	1 PC
	G	1 PC		H	4 PCS		I	2 PCS
	J	4 PCS		K	2 PCS		L	2 PCS
	M	1 PC		N	2 PCS		O	1 PC

STEP 1



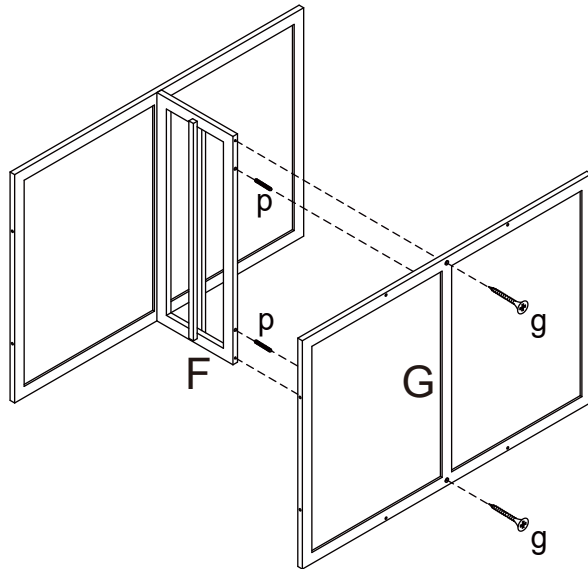
 d X2



STEP 2



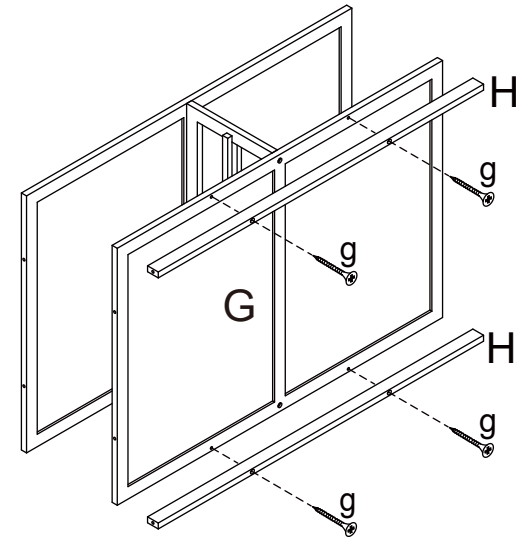
 c X2  p X2


STEP 3



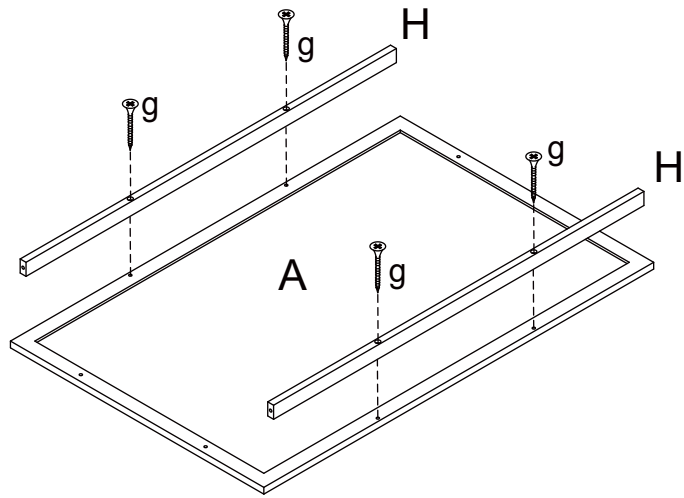
 g X2  p X2

STEP 4



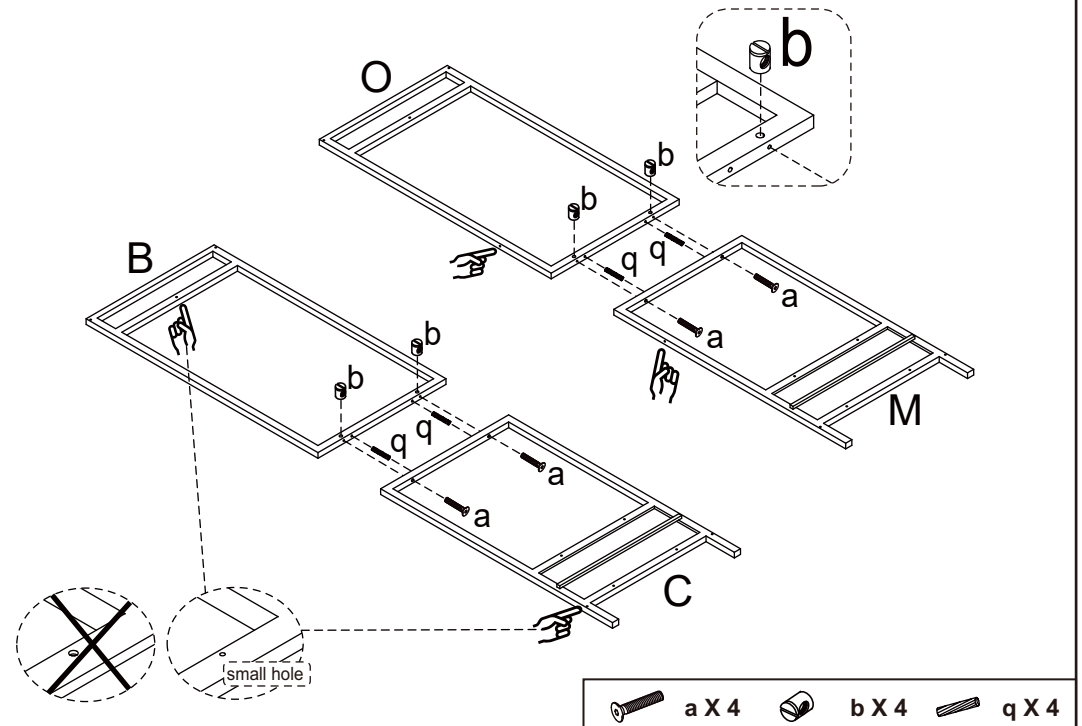
 a X4

STEP 5

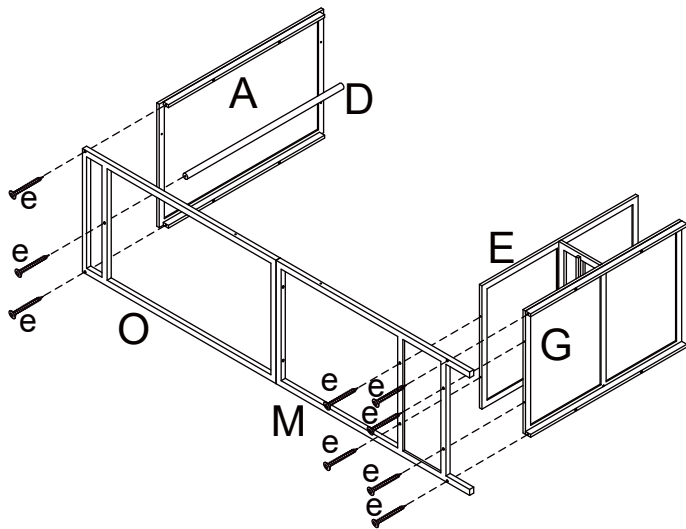


 g X 4

STEP 6

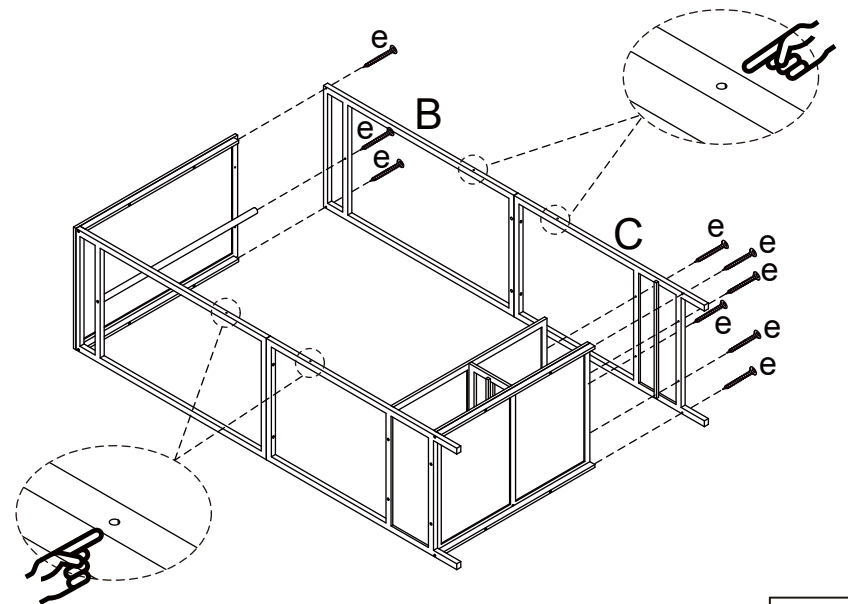


STEP 7



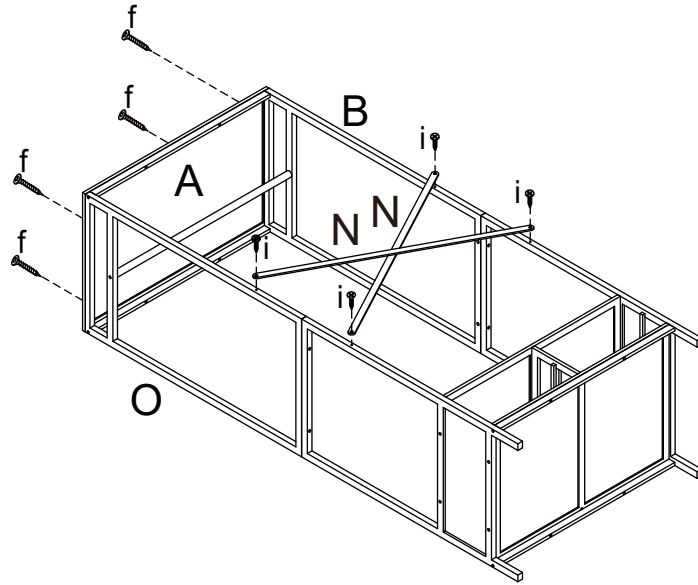
 e X 9

STEP 8



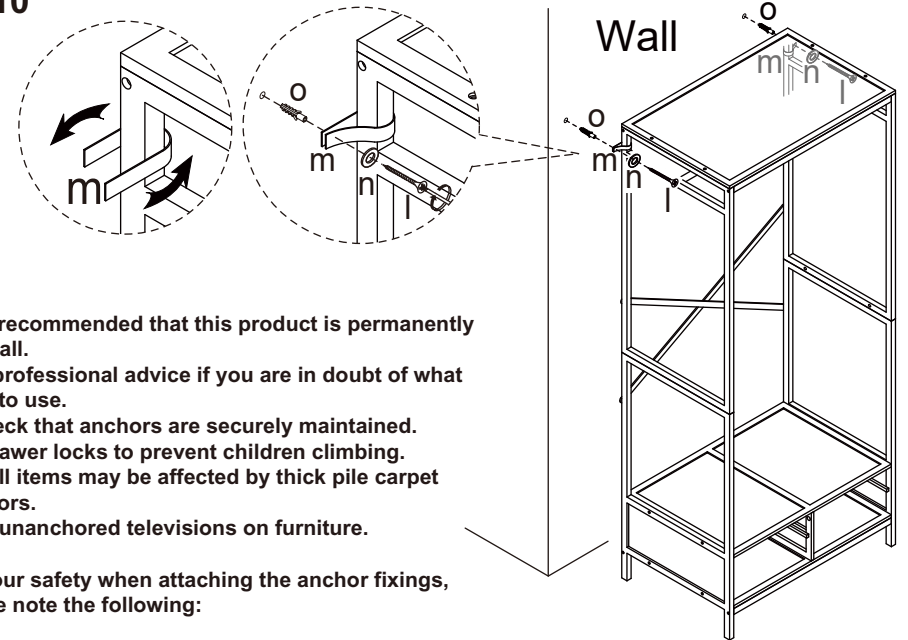
 e X 9

STEP 9



 f X 4  i X 4

STEP 10



Warning:

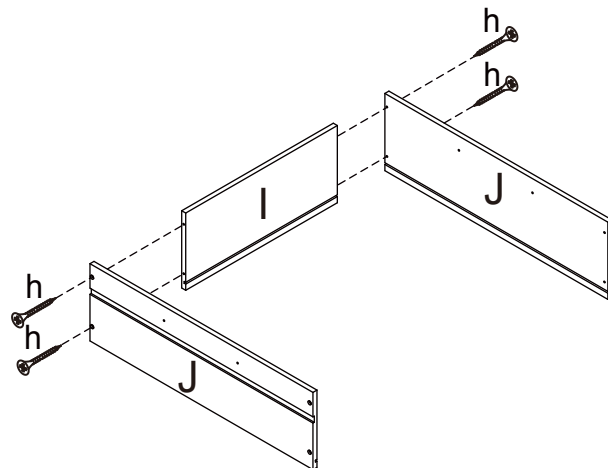
- It is strongly recommended that this product is permanently fixed to the wall.
- Please seek professional advice if you are in doubt of what fixing device to use.
- Regularly check that anchors are securely maintained.
- Use safety drawer locks to prevent children climbing.
- Stability of tall items may be affected by thick pile carpet or uneven floors.
- Do not place unanchored televisions on furniture.

Caution: for your safety when attaching the anchor fixings, please note the following:

- Check any electrical wires or plumbing inside the wall before drilling any holes (if you are unsure please seek professional advice from a qualified tradesperson).

 l X 2  m X 2  n X 2  o X 2

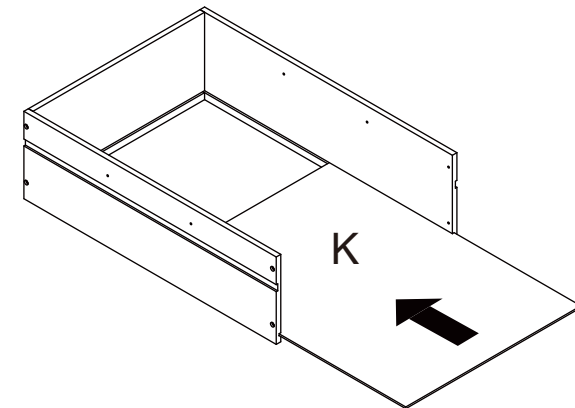
STEP 11



x2

 h X 8

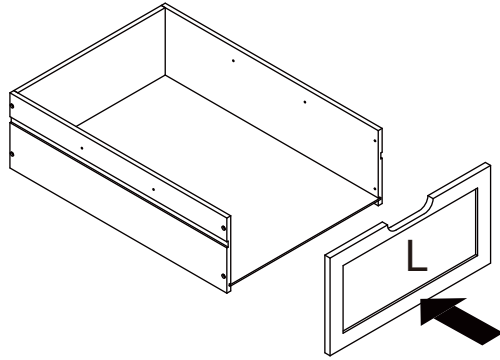
STEP 12



x2

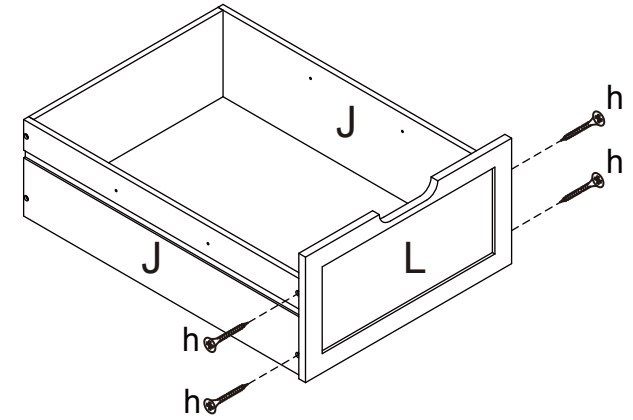
STEP 13


x2



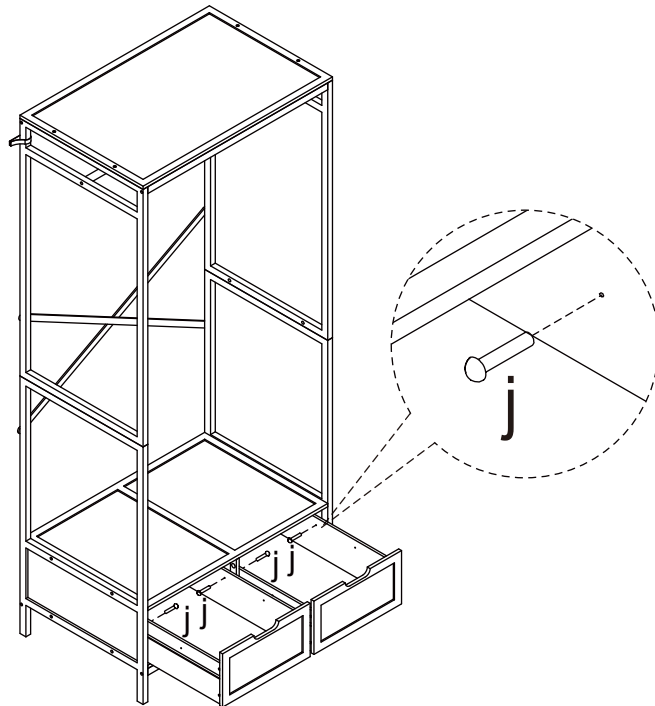
STEP 14

x2



 h X 8

STEP 15



 j X 4

STEP 16

