

Assembly Instructions

43036936 EGON 3 SECTION WARDROBE

ATTENTION: DO NOT TIGHTEN THE SCREWS UNTIL THE PRODUCT IS FULLY ASSEMBLED. FOR INDOOR USE ONLY.









CARE INSTRUCTION: WIPE CLEAN WITH A SOFT DRY OR DAMP CLOTH. KEEP AWAY FROM WATER AND DIRECT SUNLIGHT. CHECK AND TIGHTEN ALL PARTS REGULARLY.

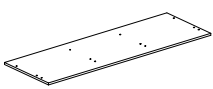
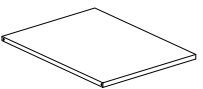
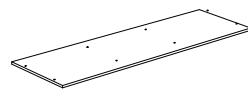
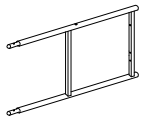
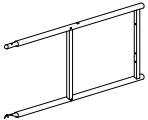
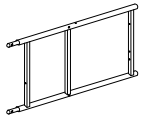
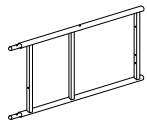
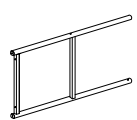
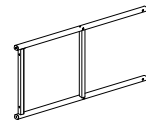
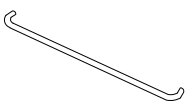
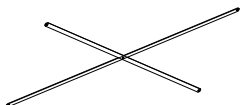
WARNING: DO NOT STAND OR SIT ON THE UNIT. DO NOT LEAN ON THE PRODUCT. DO NOT DRAG THE PRODUCT. USE ONLY ON A FLAT SURFACE. DO NOT USE UNTIL ALL SCREWS, BOLTS AND KNOBS ARE FIRMLY SECURED. THIS PRODUCT CONTAINS SMALL PARTS AND SHARP POINTS, KEEP AWAY FROM CHILDREN AND BABIES. ADULT ASSEMBLY REQUIRED. FAILURE TO FOLLOW THESE WARNINGS COULD RESULT IN SERIOUS INJURY.

MAXIMUM TOTAL LOADING WEIGHT: 54KG(15KG FOR BOTTOM SHELF, 5KG FOR EACH MIDDLE SHELF AND 8KG FOR EACH CLOTHES RAIL)

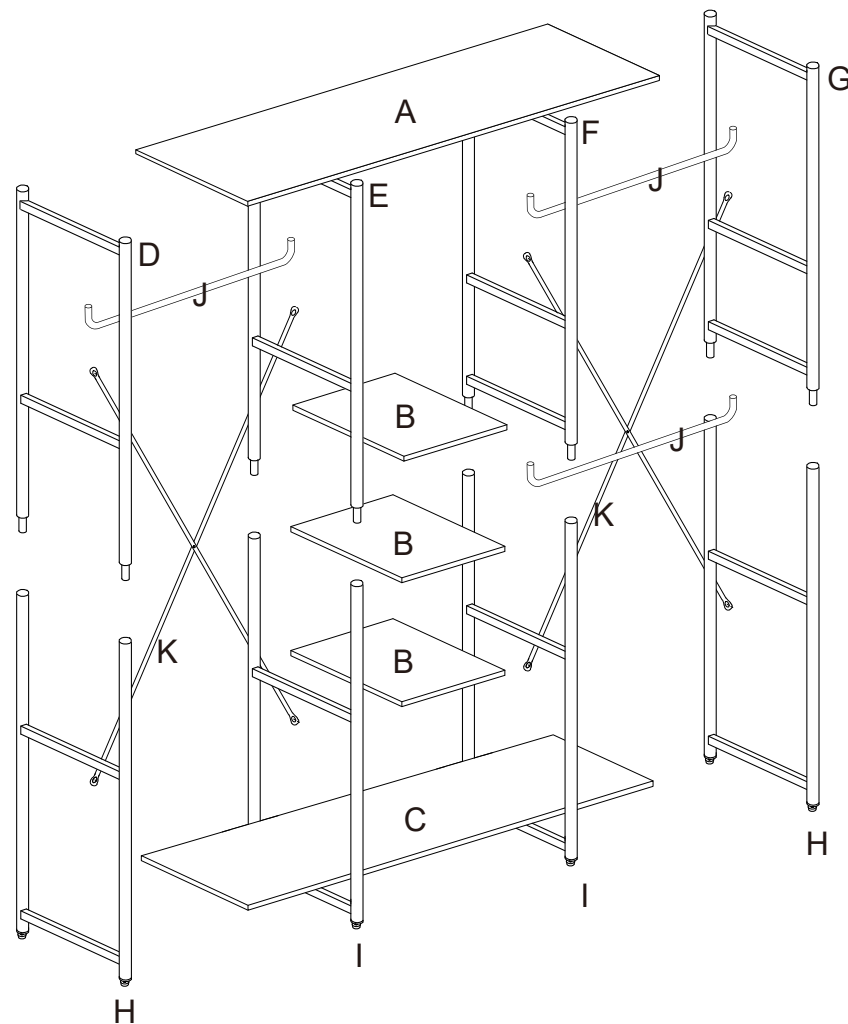
IT IS RECOMMENDED FOR 2 PEOPLE TO ASSEMBLE/MOVE THIS ITEM TO AVOID ANY POTENTIAL INJURY AND/OR DAMAGE.

1 Hardware list

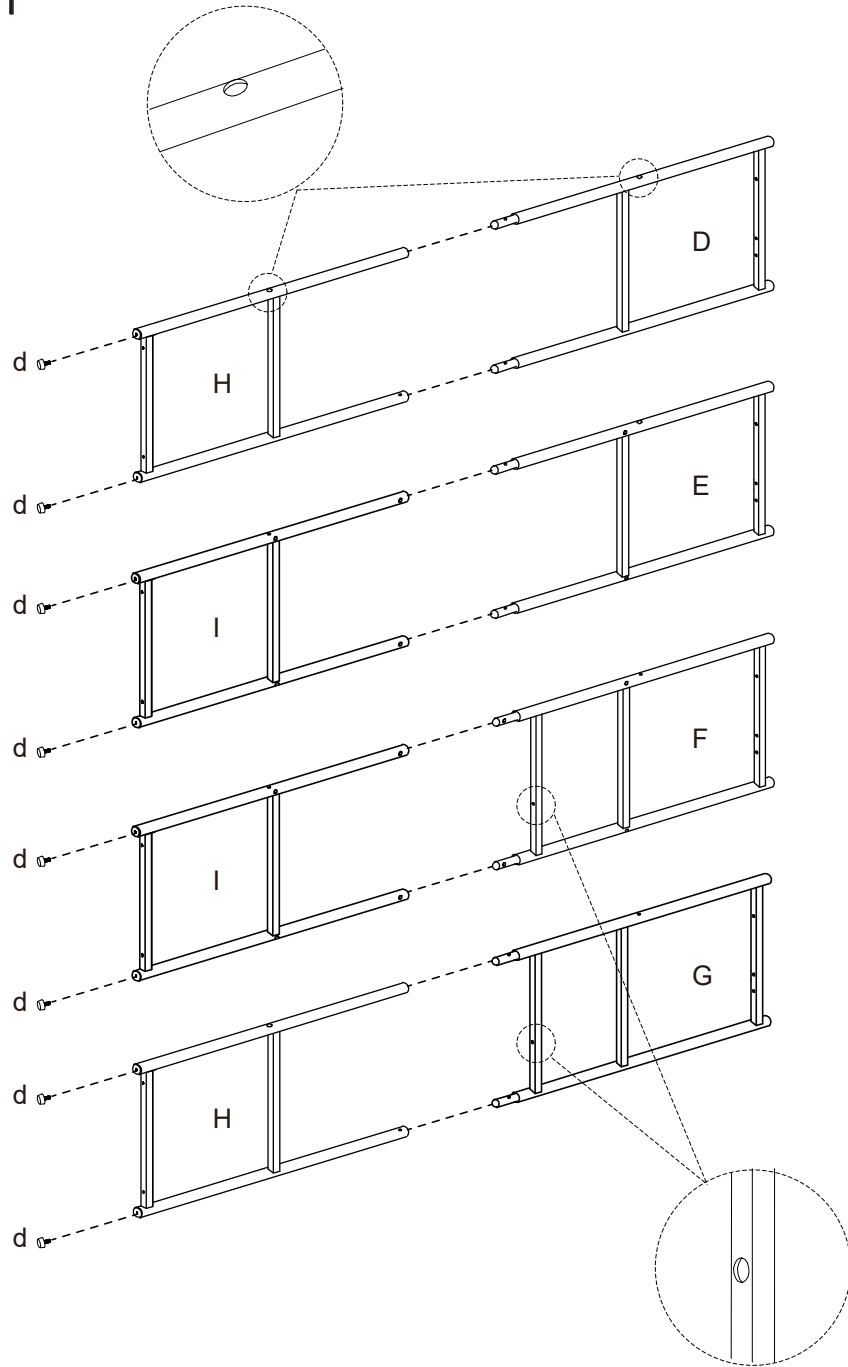
	a	F5x40mm	12pcs		f	2pcs
	b	M6x20mm	22pcs		g	2pcs
	c	M4x12mm	12pcs		h	1pc
	d		8pcs			
	e	M4x40mm	2pcs			

		
A 1PC	B 3PCS	C 1PC
		
D 1PC	E 1PC	F 1PC
		
G 1PC	H 2PCS	I 2PCS
		
J 3PCS	K 2PCS	

3

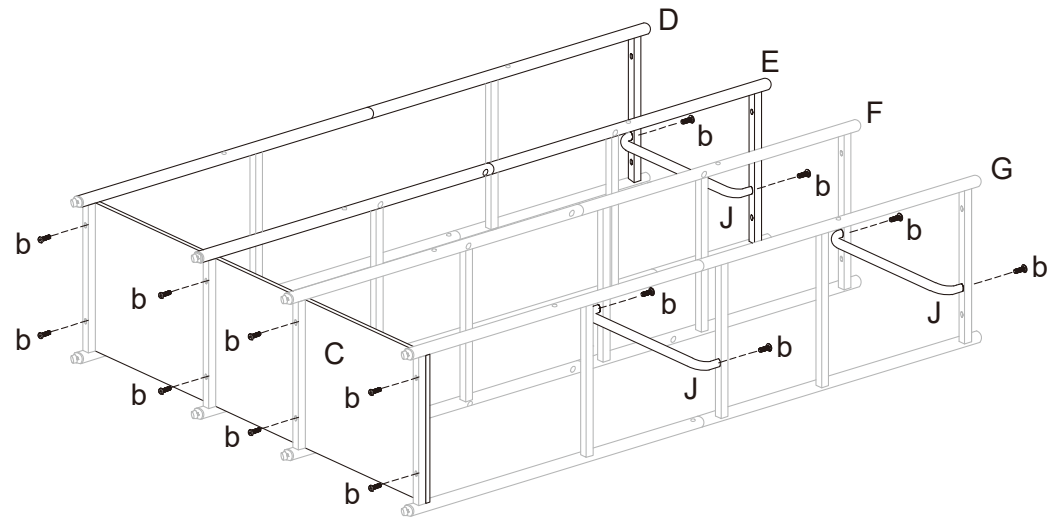



STEP 1



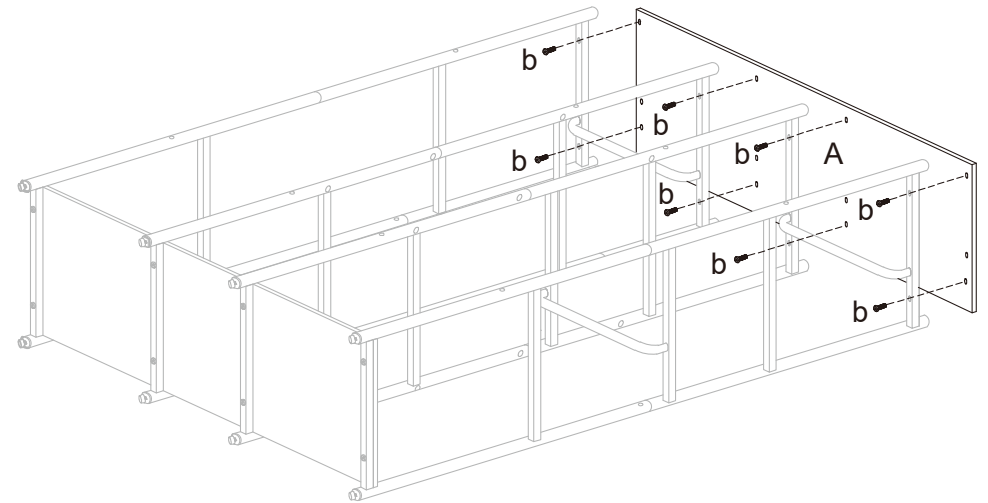
 d x 8


STEP 2



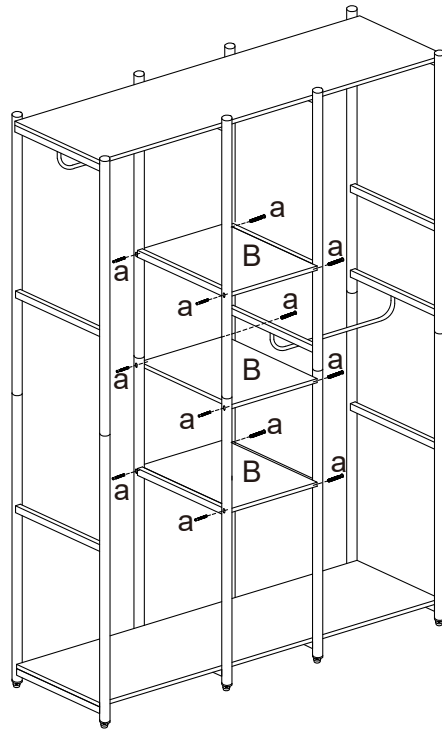
 b x 14


STEP 3



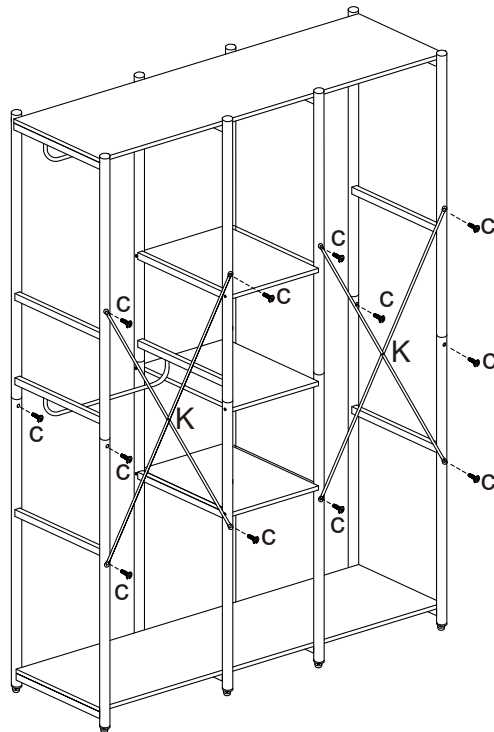
 b x 8

STEP 4



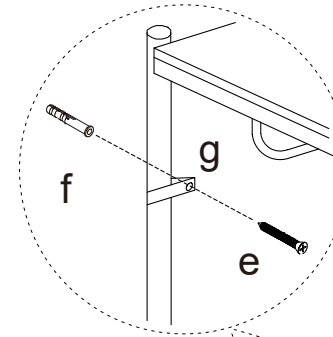
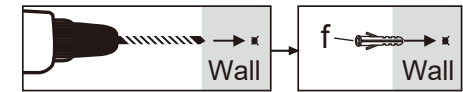
 a x 12

STEP 5



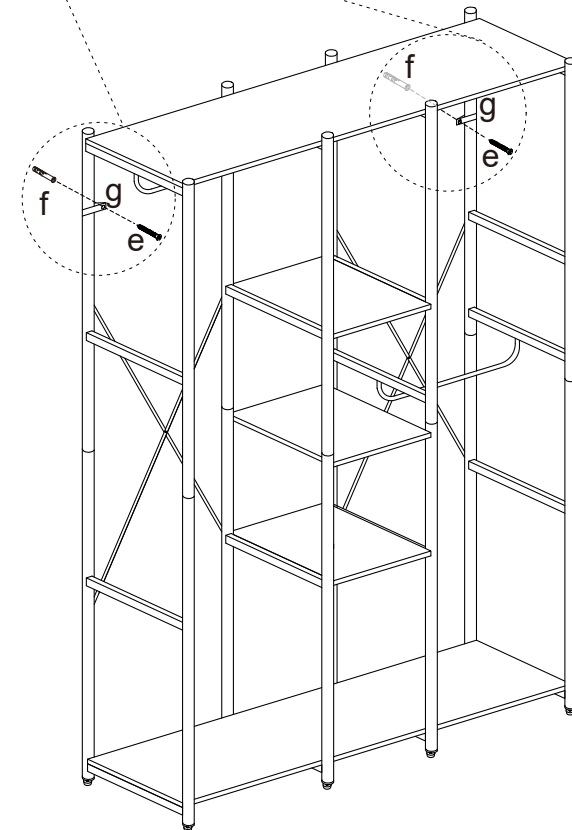
 c x 12




STEP 6



TOPPLING FURNITURE WARNING:

- >IT IS STRONGLY RECOMMENDED THAT THIS PRODUCT IS PERMANENTLY FIXED TO THE WALL.
- >PLEASE SEEK PROFESSIONAL ADVICE IF YOU ARE IN DOUBT OF WHAT FIXING DEVICE TO USE.
- >REGULARLY CHECK THAT ANCHORS ARE SECURELY MAINTAINED.
- >STABILITY OF TALL ITEMS MAY BE AFFECTED BY THICK PILE CARPET OR UNEVEN FLOORS.
- >DO NOT PLACE UNANCHORED TELEVISIONS ON FURNITURE.
- CAUTION:** FOR YOUR SAFETY WHEN ATTACHING THE ANCHOR FIXINGS, PLEASE NOTE THE FOLLOWING:
- >CHECK ANY ELECTRICAL WIRES OR PLUMBING INSIDE THE WALL BEFORE DRILLING ANY HOLES (IF YOU ARE UNSURE PLEASE SEEK PROFESSIONAL ADVICE FROM A QUALIFIED TRADESPERSON).



 g x 2
 e x 2
 f x 2