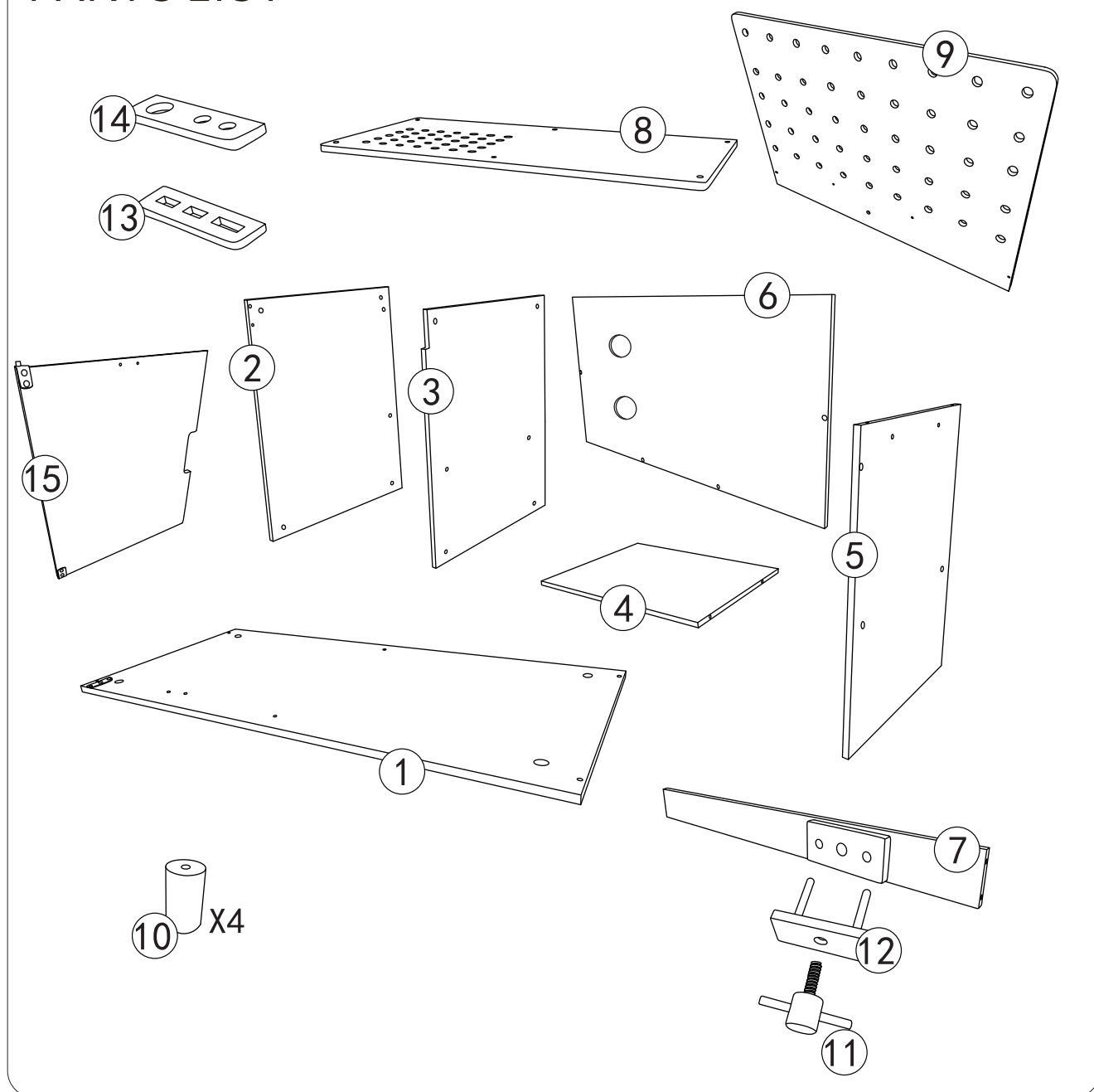


anko INSTRUCTION MANUAL

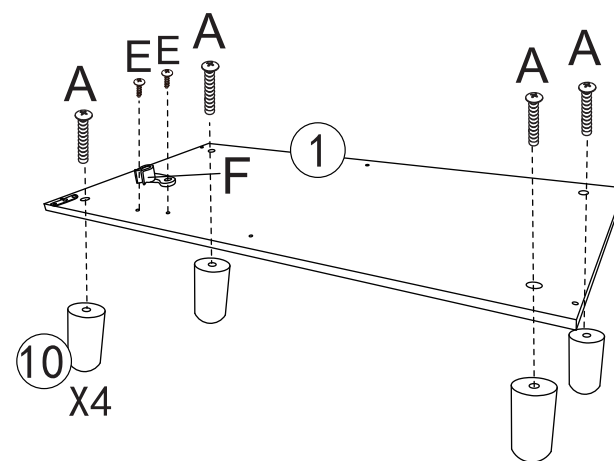
FSC Wooden tool bench

3+
years

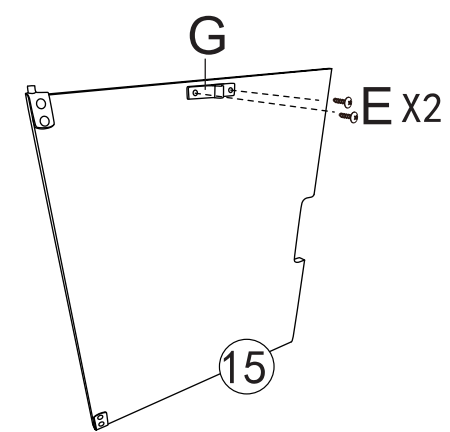
PARTS LIST



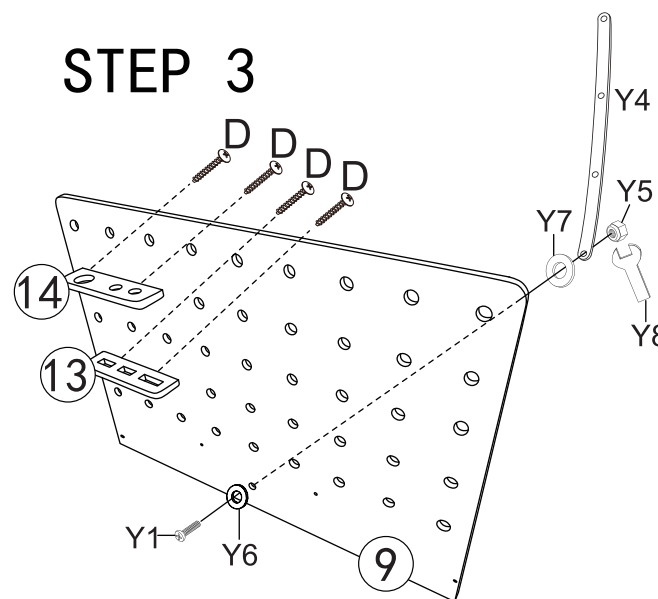
STEP 1



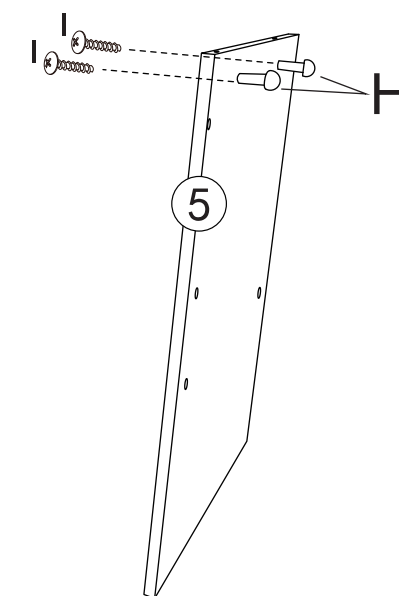
STEP 2



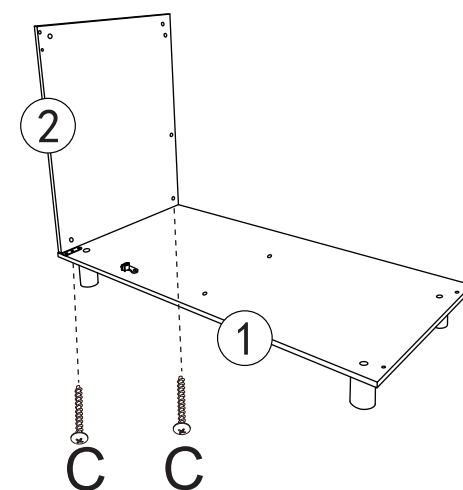
STEP 3



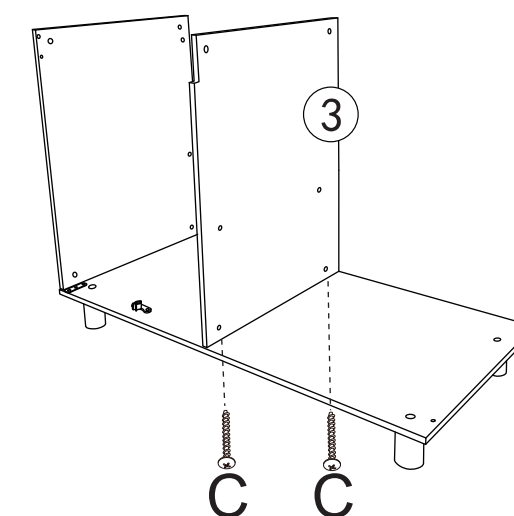
STEP 4



STEP 5



STEP 6



HARDWARE

- A. Large head screw X4
- B. Yellow large head screw X6
- C. Large head screw X20
- D. Large head screw X4
- E. Small head screw X4

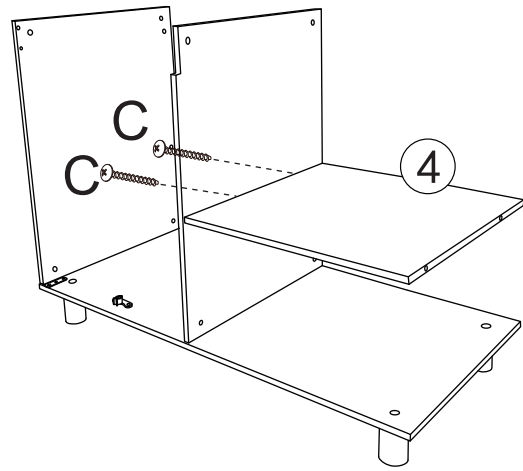
- F. X1
- G. X1
- H. X2
- I. Large head screw X2
- J. X2

- | | |
|-------|-------|
| Y1 X1 | Y5 X1 |
| Y2 X1 | Y6 X2 |
| Y3 X1 | Y7 X1 |
| Y4 X1 | Y8 X1 |

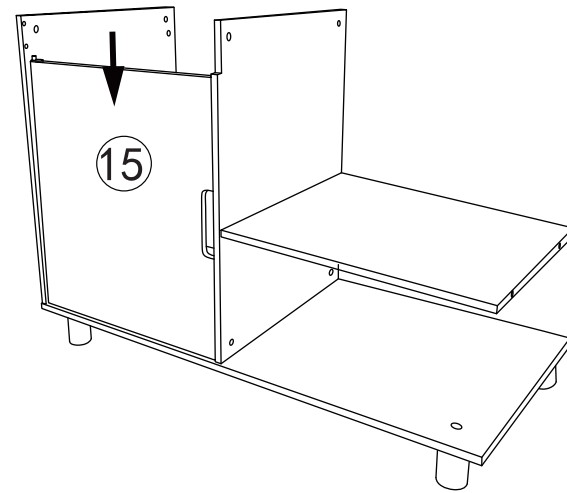
Cross screwdriver (not included)



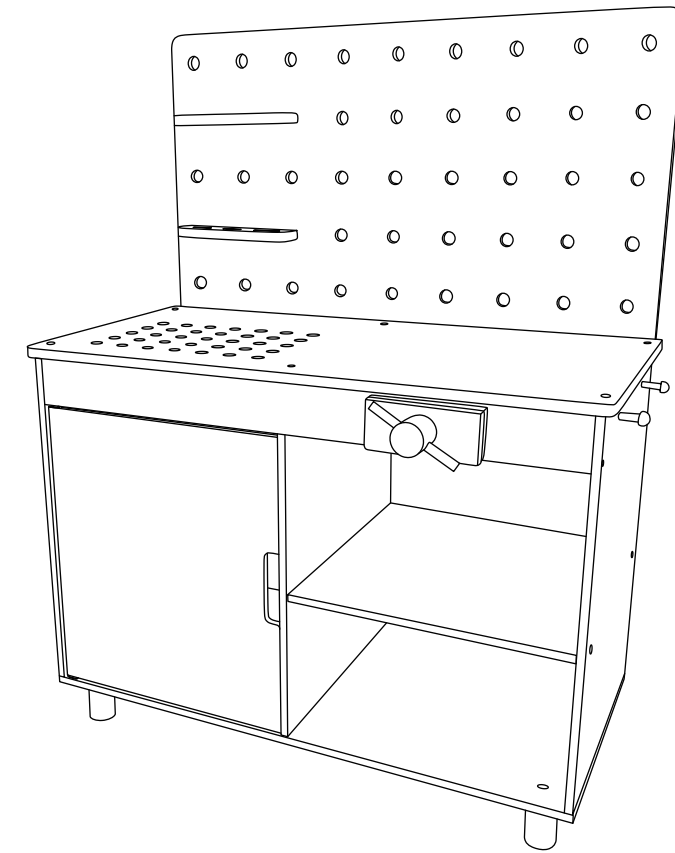
STEP 7



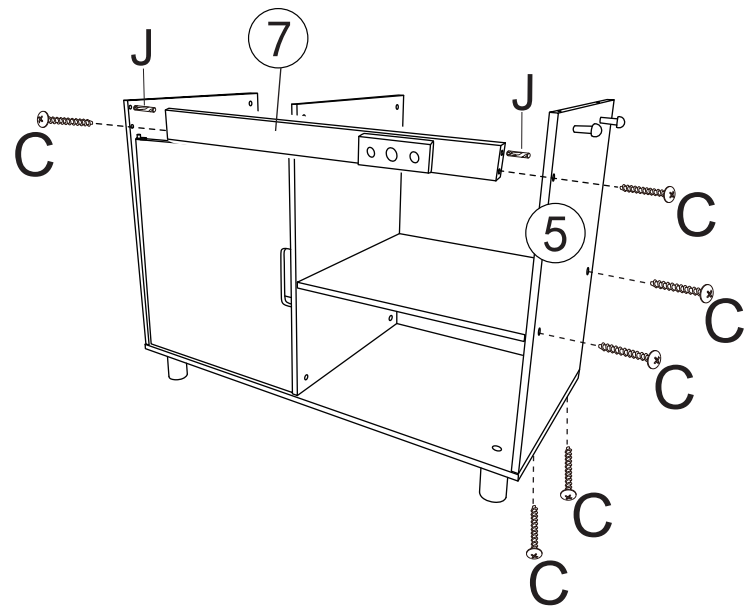
STEP 8



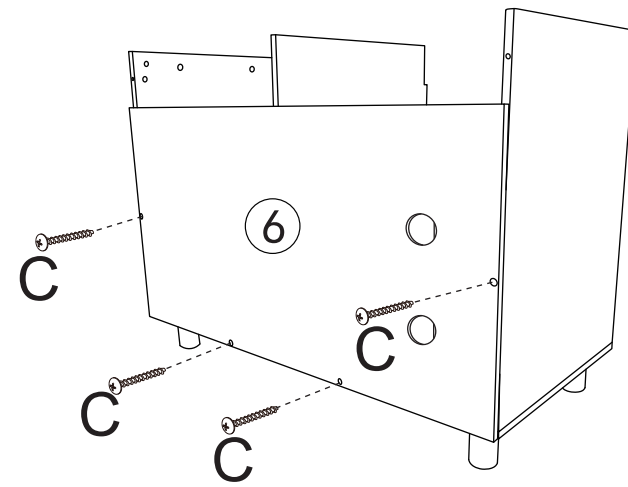
STEP 13



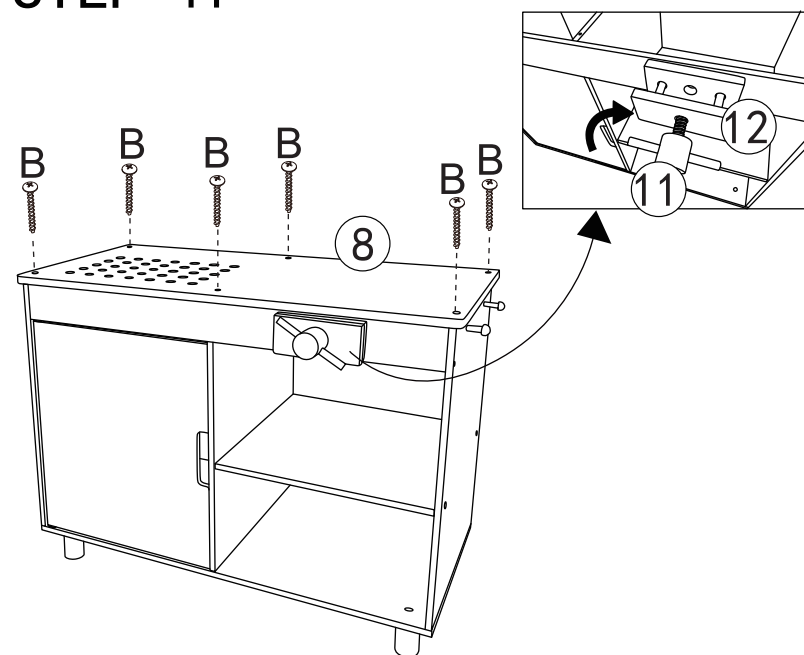
STEP 9



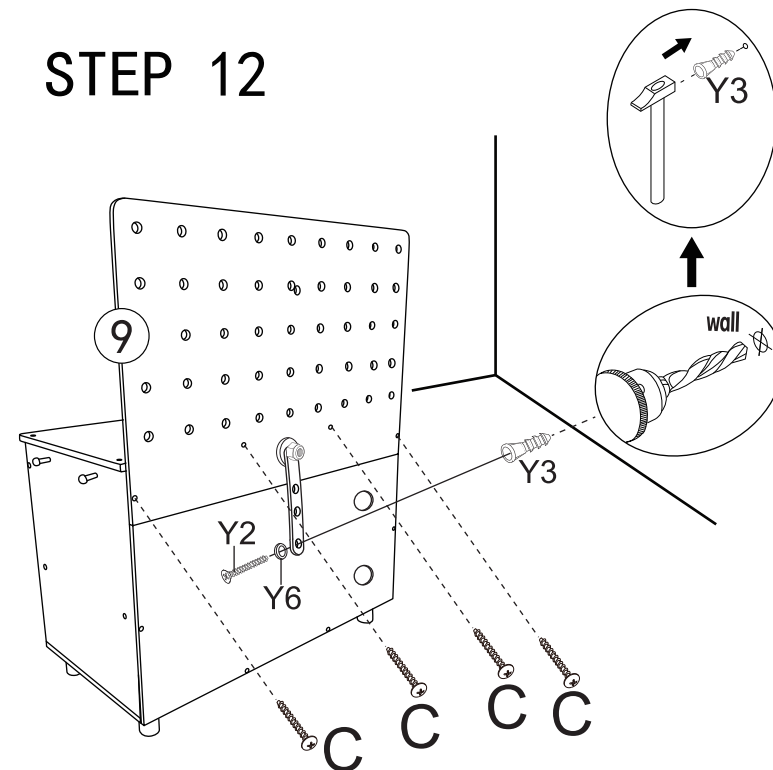
STEP 10



STEP 11



STEP 12



WARNING:

ADULT ASSEMBLY IS REQUIRED. UNASSEMBLED PARTS CONTAIN SCREWS AND WITH FUNCTIONAL SHARP POINTS, PLEASE KEEP UNASSEMBLED PARTS AWAY FROM SMALL CHILDREN.

CAUTION: PLEASE CHECK CONDITION OF ITEM REGULARLY, AS SCREWS MAY LOOSEN WITH USE OVER TIME. TIGHTEN SCREW FITTINGS IF NECESSARY.

WARNING: PLEASE SECURE THIS PRODUCT WITH THE SUPPLIED WALL FIXING. IT IS STRONGLY RECOMMENDED THAT THIS PRODUCT IS PERMANENTLY FIXED TO THE WALL. FAILURE TO FOLLOW THESE WARNINGS COULD RESULT IN SERIOUS INJURY.

CAUTION: FOR YOUR SAFETY WHEN ATTACHING THE ANCHOR FIXINGS, PLEASE CHECK ANY ELECTRICAL WIRES OR PLUMBING INSIDE THE WALL BEFORE DRILLING ANY HOLES. PLEASE SEEK PROFESSIONAL ADVICE IF YOU ARE IN DOUBT OF WHAT FIXING DEVICE TO USE. REGULARLY CHECK THAT ANCHOR IS SECURELY MAINTAINED.

WARNING: CHOKING HAZARD – SMALL PARTS, NOT SUITABLE FOR CHILDREN UNDER 3 YEARS. THIS IS A TOY, INTENDED FOR ROLE PLAY ONLY.

Keycode: 43039647
MADE IN CHINA
© KMART AUSTRALIA LIMITED