

物料编码: 181024380

物料名称: LP151A-Philex说明书

尺寸: 62X100MM

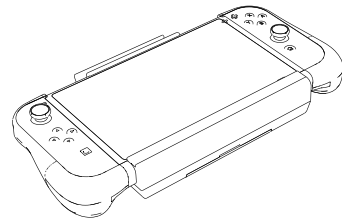
材质: 105G双铜

工艺: 单色印刷, 折页

红线为刀模, 不印

Gaming Switch Charging Case

Thank you for purchasing the Charging case. Please read the user manual carefully before using it.



USER MANUAL

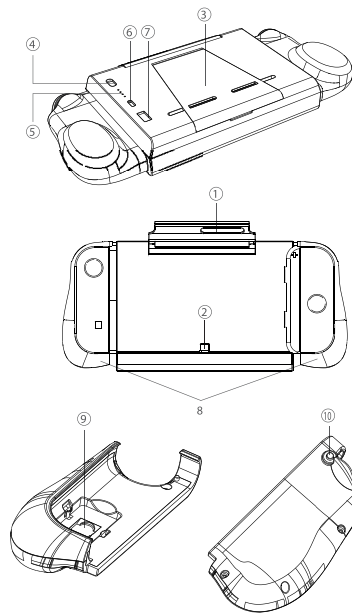
Model: 43040421

Warnings and cautions:

- Battery cannot be subjected to high or low extreme temperatures, low air pressure at high altitude during use, storage or transportation.
- Replacement of a battery with an incorrect type that can result in an explosion or the leakage of flammable liquid or gas.
- Disposal of a battery into fire or a hot oven, or mechanically crushing or cutting of a battery, that can result in an explosion.
- Leaving a battery in an extremely high temperature surrounding environment that can result in an explosion or the leakage of flammable liquid or gas.
- A battery subjected to extremely low air pressure that may result in an explosion or the leakage of flammable liquid or gas.
- The apparatus shall not be supplied by a power source exceeding PS1 (i.e. 5Vdc 3A).

. 1 .

Product :

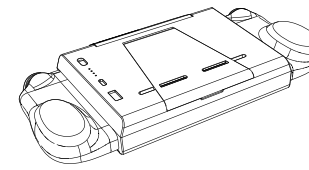


. 2 .

- | | |
|-----------------------|--------------------------|
| ① Snap joint | ⑥ USB-C input |
| ② USB-C output | ⑦ USB-A output |
| ③ Adjustable stand | ⑧ Joy-Con Grip |
| ④ On/Off button | ⑨ Card slot |
| ⑤ LED Power indicator | ⑩ Joy-Con Release button |

How to charge the Charging case?

As shown below: Charge the Charging Case with USB-C cable and standard charging adaptor. During charging, the LED indication lights will go on and blink with the power increasing. The case is fully charged when the fourth LED light is on without blinking.



- 1 LED on: 10%-25% charged
- 2 LEDs on: 25%-50% charged
- 3 LEDs on: 50%-75% charged
- 4 LEDs on: 75%-100% charged

. 3 .

How to charge the Nintendo Switch?

- Fix the Switch into the Charging case, make sure the charging port is well mounted to the USB-C connector of the case, close the snap joint.
- The charging process is automatically started after the connection. The LED charging indicators of the case are on according to the power level.
- The Switch is fully charged when the power indicators of the Switch are all on without blinking.

Product Features:

The Charging case is super slim with 5,000mAh battery built-in, offer the Switch 2-5.5 extra hours of use. The back stand is robust and angle adjustable. Besides, to improve the grab feeling of the Switch. We provide the option of a pair of Joy-Con grip.

Product Specification:

- Battery type: Li-polymer
- Capacity: 3.7V/5,000mAh
- USB-C input: 5V=2A
- Charging time: 2-3.5 H
- USB-A output : 5V=2A Max
- or USB-C output: 5V=2A Max
- Size: 268*126*37±0.5mm

. 4 .