
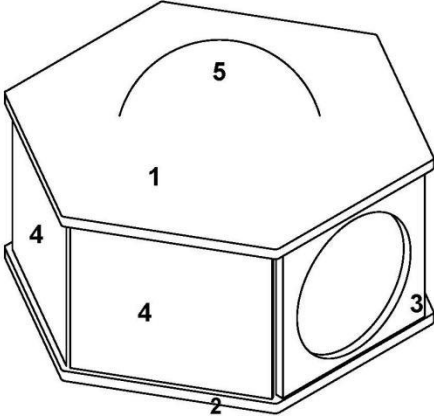




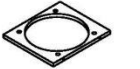




anko

## Cat Cave Dome




## Contents


1			<b>Accessory</b>	<b>Size</b>	<b>Quantity</b>
1PC SIZE 550*480*12mm			A 	.....	8pcs
2			B 	.....	8pcs
1PC SIZE 550*480*12mm			C 	3.5*14mm	4pcs
3					
2PCS SIZE 260*230*12mm					
4					
4PCS SIZE 260*240*5mm					
5					
1PC					

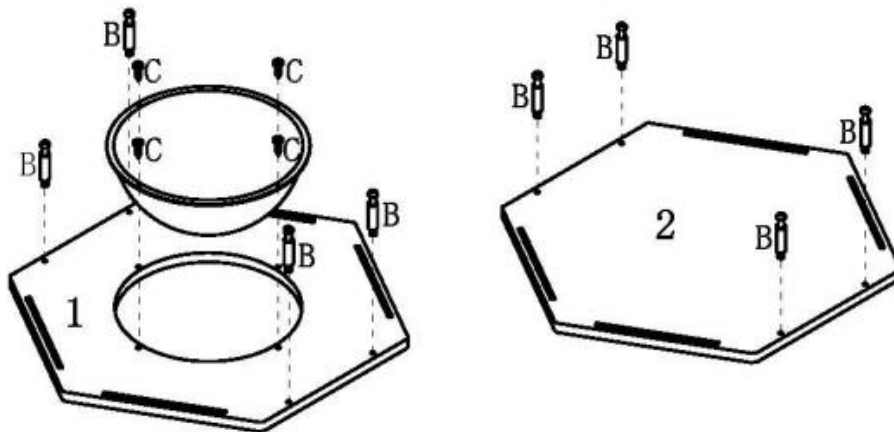
## Instructions

### Step 1.

Screw the connecting rods ( B x 8 pcs ) into the boards ( No.1 & No.2 ) separately. Then install the acrylic cover ( No.5 ) in middle of the board ( No.1 ) with screws ( C x 4pcs ) by following the pre drill holes. Please refer to the image below.

 B=8PCS

 C=4PCS

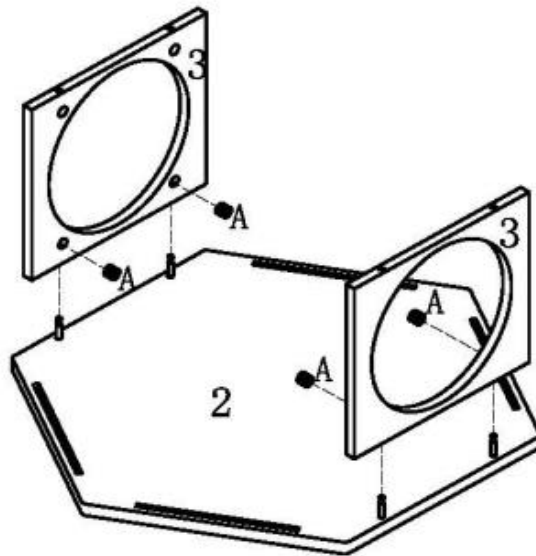


**Step 2.**

Insert the boards ( No.3 x 2 pcs ) to the connecting rods and insert & lock with nuts ( A x 4pcs ) .

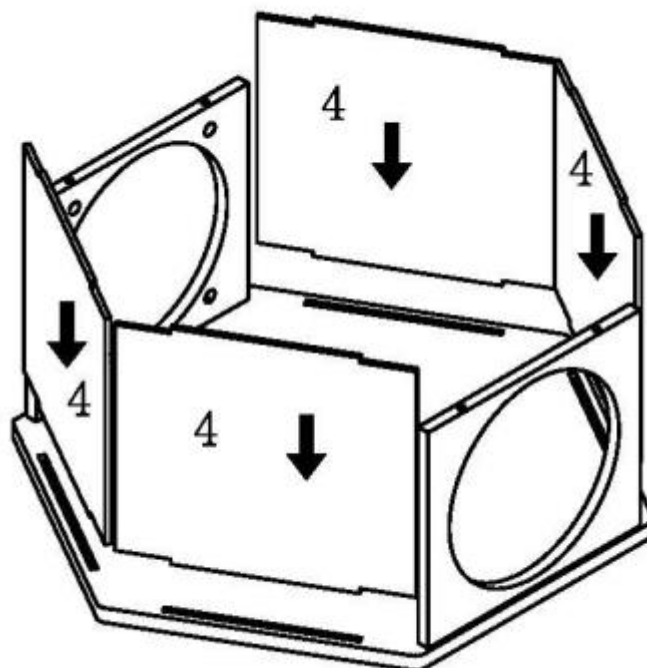
Please note to rotate nuts A by 90° after inserting into holes to make sure it is locked.

● A=4PCS



**Step 3.**


Insert boards ( No.4 x 4 pcs ) into the grooves on the bottom of board ( No.2 ).

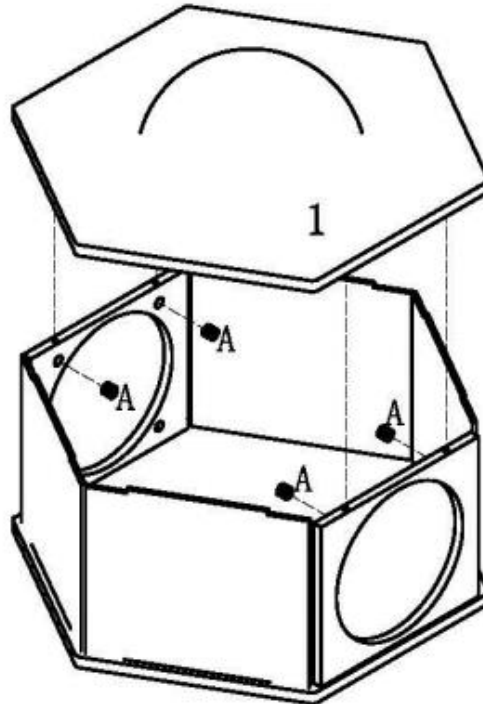


**Step 4.**

Put on the top board ( No . 1 ). Please make sure the grooves and holes are in right position, insert and then lock with nuts ( A x 4pcs ) from the side holes.

Please note to rotate nuts A 90° after inserting into holes to make sure it is locked.

 A=4PCS



**WARNING:**

*Pet toy – Not intended for children.*

*It is the responsibility of the pet owner if this toy is suitable for their pet's style of play.*

*No pet toy is indestructible and can be damaged during play.*

*For your pet's safety, inspect regularly and remove if damaged.*

*Always supervise your pet during play.*