



# **Vlogging Kit**

## **Keycode: 43055852**

### **Instruction Manual**

#### **Safety Instructions:**

Please read the instruction manual before using this device and follow all the safety instructions to avoid damage caused by improper use.

1. Keep the instruction manual for future reference. Should this device be given to a third party, then this instruction manual must also be handed over.
2. Keep the device away from all hot surfaces and naked flames.
3. Do not immerse the device in water or in other liquids.
4. Do not use the device in wet conditions.
5. Do not use the tripod in windy conditions or on an uneven surface.
6. Do not use the device if it is damaged.
7. This device is not a toy. Children should be supervised to ensure they do not play with the device.

#### **Packaging include:**

LED light x1

Microphone x1

Ergonomics bracket x1

Phone clip x1

Table tripod x1

3.5mm Aux cable for smartphone x1

3.5mm Aux cable for camera x1

Furry windshield x1

## Parts:



Furry Windshield

## Use

1. Align the bracket to the tripod to the 1/4 inch mounting screw.

**Note: Make sure the bracket arm lines up with one of the tripod legs to avoid tipping over.**

2. Mount phone clip on the bracket with the 1/4 inch mounting screw.

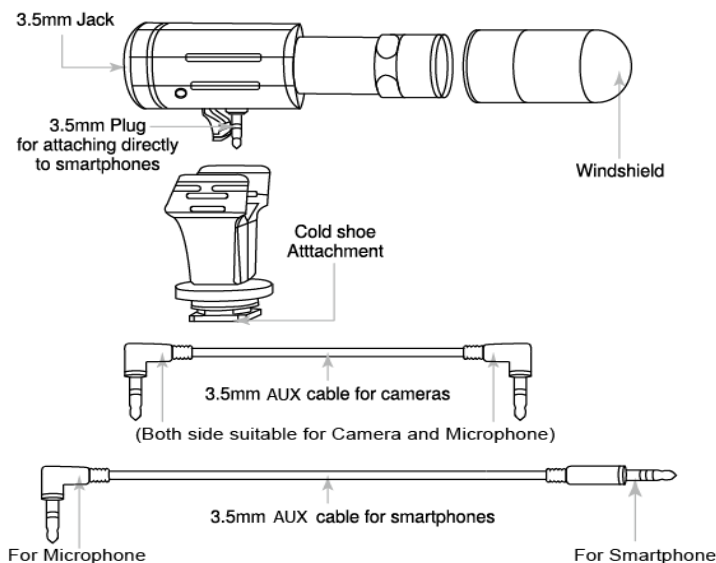
3. Adjust the width/length and place your smart phone in the phone holder.

4. Attach the LED light and microphone to the bracket then tighten the cold shoe mounts.

5. Unfold the tripod legs and place it on a flat surface, select desired height by using the height adjustment knob.

6. Put in 2 x AA batteries (not included) into the LED light back side.

7. Select the correct 3.5mm AUX cable, plug one side into the microphone, then plug another side into your phone or camera..



**Note: Smartphones without a 3.5mm jack will require an adapter such as Lightning to 3.5mm for iPhones or USB-C to 3.5mm for certain Android devices. (Adapters not included)**

## Technical Data

1. Product size: 6\*27\*22cm
2. Microphone Frequency:100-16000Hz
3. Microphone Sensitivity:-42 3dB RL=680Ω Vs1.5 (1KHz 0dB=1V/Pa);
4. Microphone Maximum sound pressure:110dB S.P.L;
5. LED Light: Power:5.5W;
6. LED Light working voltage: DC 3V
7. LED Light Battery:2 X AA batteries(Not included)
8. LED bulbs:49 pcs

## 12 Month Warranty

Thank you for your purchase from Kmart.

Kmart Australia Ltd warrants your new product to be free from defects in materials and workmanship for the period stated above, from the date of purchase, provided that the product is used in accordance with accompanying recommendations or instructions where provided. This warranty is in addition to your rights under the Australian Consumer Law.

Kmart will provide you with your choice of a refund, repair or exchange (where possible) for this product if it becomes defective within the warranty period. Kmart will bear the reasonable expense of claiming the warranty. This warranty will no longer apply where the defect is a result of alteration, accident, misuse, abuse or neglect.

Please retain your receipt as proof of purchase and contact our Customer Service Centre on 1800 124 125 (Australia) or 0800 945 995 (New Zealand) or alternatively, via Customer Help at [Kmart.com.au](http://Kmart.com.au) for any difficulties with your product. Warranty claims and claims for expense incurred in returning this product can be addressed to our Customer Service Centre at 690 Springvale Rd, Mulgrave Vic 3170.

Our goods come with guarantees that cannot be excluded under the Australian Consumer Law. You are entitled to a replacement or refund for a major failure and compensation for any other reasonably foreseeable loss or damage. You are also entitled to have the goods repaired or replaced if the goods fail to be of acceptable quality and the failure does not amount to a major failure.

For New Zealand customers, this warranty is in addition to statutory rights observed under New Zealand legislation