

## INSTRUCTIONS FOR HEAVY DUTY TOOL TROLLEY WITH BENCHTOP

**Important:** Please read these instructions carefully.

Please take note of warnings and precautions in order to safely use the tool chest and tool cabinet.

Use the product correctly and ensure it is used as intended.

Not complying with these instructions may result in damage, or personal injury.

Keep these instructions for future reference if required.

### Warnings:

Place the trolley on a flat even surface.

Ensure that the workplace is clean and tidy and that there is sufficient light.

Do not use the trolley for any other purposed than for which it was made.

Do not move the trolley when drawers are open.

Do not open more than one drawer at a time.

Do not press down firmly on drawer edges.

Do not use the drawers as steps.

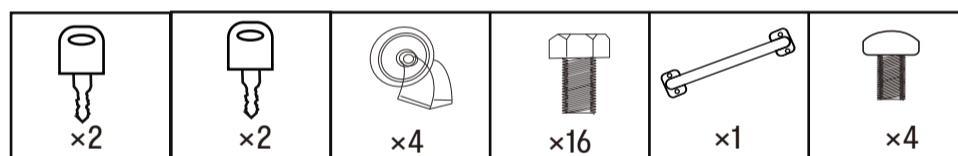
Do not use the trolley in a damp working environment.

Keep children and unauthorised persons away from the workplace.

### SPECIFICATIONS:

Trolley overall	740 x 800 x 450mm
Overall with casters	900 x 900 x 450mm
2 Drawers	690 x 390 x 50mm
1 Drawers	690 x 390 x 100mm

### PARTS:



### ASSEMBLY INSTRUCTIONS:

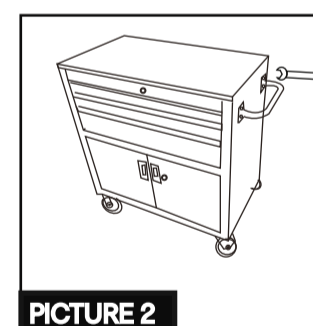
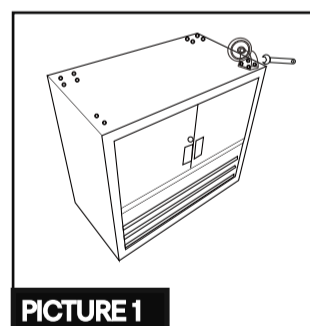
**NOTE:** put something on the floor for protection to prevent the back and top of trolley from getting damaged.

1. Turn the trolley upside down.

2. Attach caster in the corners of the trolley baseplate and secure with bolts. 4pcs bolts for each casters (picture 1).

3. Turn the trolley upright.

4. Attach side handle to the side of trolley and secure with 4pcs bolts (picture 2).



### MAINTENANCE:

- The runners of the drawers. must be oiled occasionally.
- Clean the surfaces with a soft cloth, dampened with water and a mild detergent.
- Check all screws and tighten if necessary.

Benchtop loading capacity: 15kgs .

Drawer loading capacity: 5kgs per layer.

Tool cabinet loading capacity: 15kgs.

