

Multi Rebound Net

Keycode: 43059683

CAUTION:

1. CHECK ALL CONTENTS ARE INCLUDED BEFORE ASSEMBLY.
2. ALWAYS ASSEMBLE AND DISASSEMBLE THE PRODUCT UNDER ADULT SUPERVISION.
3. IF ANY BROKEN PARTS OR FAULTS ARE FOUND ON THE PRODUCT, PLEASE STOP ASSEMBLING OR DISASSEMBLING IT.
4. CHECK EQUIPMENT PRIOR TO EVERY USE.

CONTENTS:

1. METAL TUBE (2PCS)
2. METAL TUBE (2PCS)
3. METAL TUBE (2PCS)
4. METAL TUBE (2PCS)
5. METAL TUBE (1PC)
6. METAL TUBE (1PC)
7. RIGHT & LEFT ADAPTOR (2PCS)
8. ELASTIC HOOK (16PCS)
9. "J" STYLE GROUND PEG (4PCS)
10. SCREW (6PCS)
11. REBOUND NET (1PC)

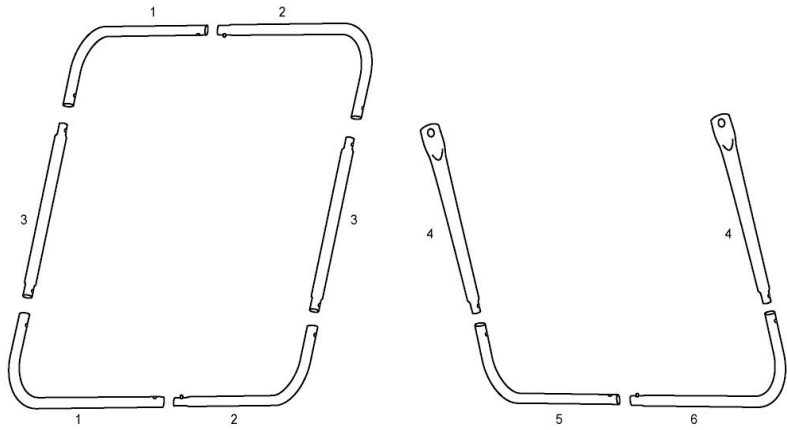
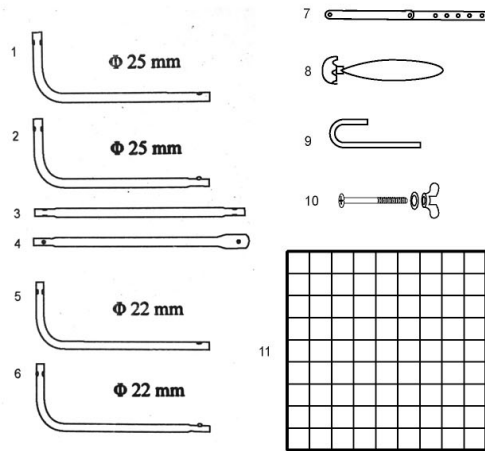


CHART #1

CHART #2

Multi Rebound Net

Keycode: 43059683

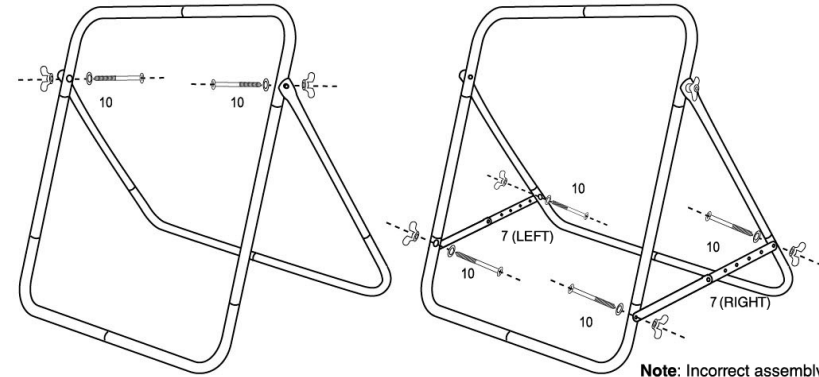
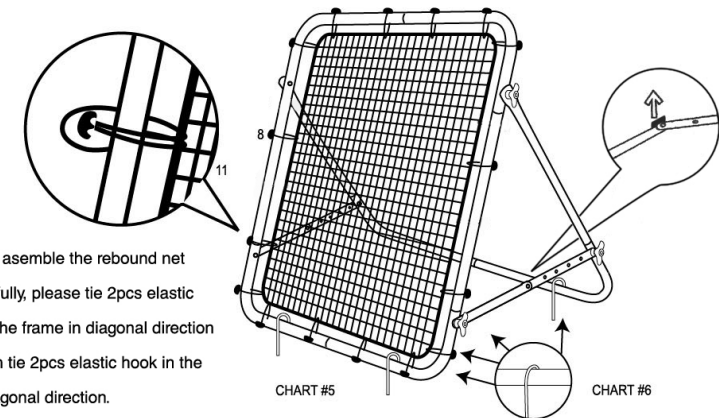


CHART #3

CHART #4

Note: Incorrect assembly of part #7 will make the net not fold.



Note: To assemble the rebound net successfully, please tie 2pcs elastic hook to the frame in diagonal direction first, then tie 2pcs elastic hook in the other diagonal direction.

CHART #5

CHART #6

1. PLEASE DO NOT LEAN OR PLACE ADDITIONAL WEIGHT ON THE PRODUCT.
2. ENSURE THE MULTI REBOUND NET IS ANCHORED WITH THE SUPPLIED PEGS PRIOR TO USE.
3. DO NOT PLACE THE PRODUCT NEAR FIRE OR FLAMES.
4. IF ANY FAULTS ARE FOUND ON THE PRODUCT, PLEASE DISCONTINUE USE IMMEDIATELY.
5. THE OWNER OF THIS EQUIPMENT IS RESPONSIBLE FOR ENSURING THAT ALL USERS OF THE EQUIPMENT FOLLOW SAFETY INSTRUCTIONS TO AVOID INJURIES OR DAMAGE TO PROPERTY.

FOR AU/NZ: IMPORTED FOR KMART STORES IN AUSTRALIA AND NEW ZEALAND
Made in China