

Assembly Instructions

43060498 GARAGE WORK BENCH WITH SHELF



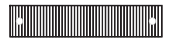



CARE INSTRUCTIONS: KEEP AWAY FROM WATER AND DIRECT SUNLIGHT. FOR INDOOR AND DOMESTIC USE. WIPE CLEAN WITH A SOFT DRY CLOTH. DO NOT PUT HOT ITEMS SUCH AS COFFEE CUPS DIRECTLY ON THE SURFACE OF THE SHELVES.

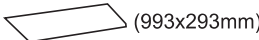

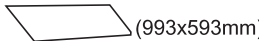
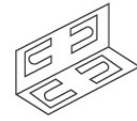
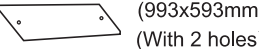

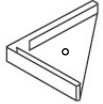



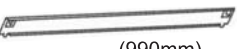



WARNING: DO NOT STAND OR SIT ON THE UNIT. DO NOT LEAN ON THE PRODUCT. DO NOT DRAG THE PRODUCT. USE ONLY ON A FLAT SURFACE. DO NOT USE UNTIL ALL PARTS ARE FIRMLY SECURED. THIS PRODUCT CONTAINS SMALL PARTS AND SHARP POINTS, KEEP AWAY FROM CHILDREN AND BABIES. ADULT ASSEMBLY REQUIRED. FAILURE TO FOLLOW THESE WARNINGS COULD RESULT IN SERIOUS INJURY.

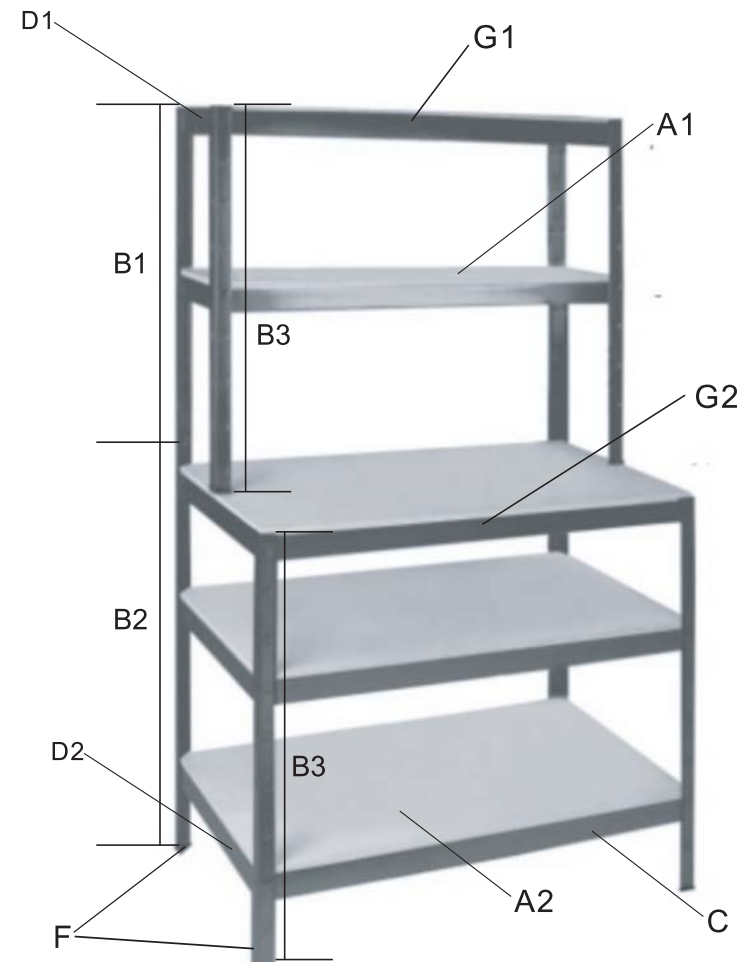
MAX. LOADING WEIGHT - SINGLE SHELF (SMALL):120kg

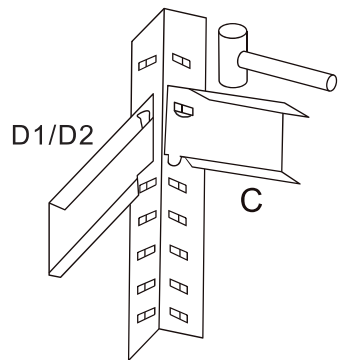
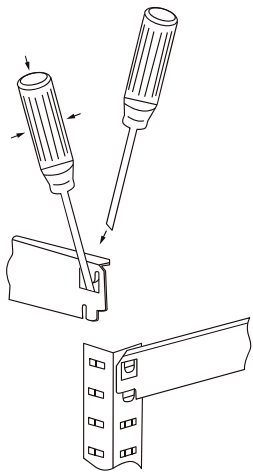
MAX. LOADING WEIGHT - SINGLE SHELF (LARGE):220kg

MAX. LOADING WEIGHT - TOTAL UNIT, EVENLY DISTRIBUTED:660kg

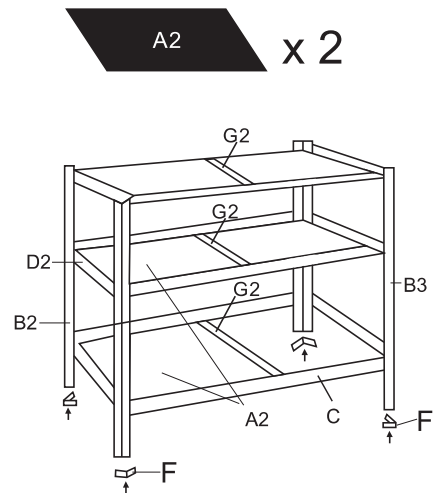
| | | | |
|---|---|----------|------|
|  | a | 4x35mm | 2PCS |
|  | b | 6x30mm | 2PCS |
|  | c | 270x20mm | 2PCS |
|  | d | | 2PCS |
|  | e | 10x4mm | 2PCS |
|  | f | | 2PCS |

| | | | | | |
|----|---|-------|----|---|-------|
| A1 |  (993x293mm) | 2PCS | D2 |  (590mm) | 6PCS |
| A2 |  (993x593mm) | 2PCS | E |  | 2PCS |
| A3 |  (993x593mm) (With 2 holes) | 1PC | | | |
| B1 |  (870mm) | 2PCS | F |  | 12PCS |
| B2 |  (930mm) | 2PCS | | | |
| B3 |  (900mm) | 4PCS | G1 |  (290mm) | 2PCS |
| C |  (990mm) | 10PCS | G2 |  (590mm) | 3PCS |
| D1 |  (290mm) | 4PCS | H |  Mallet Required (Not Provided) | |

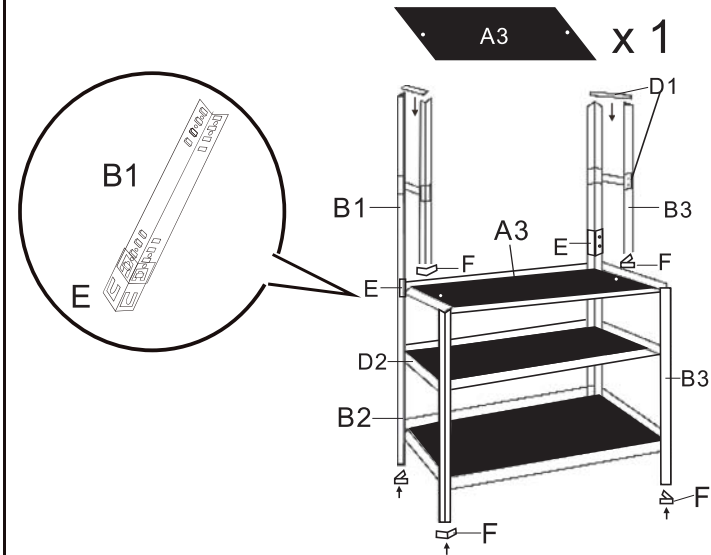




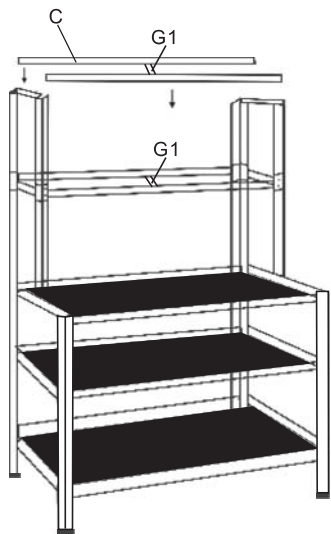
STEP 1



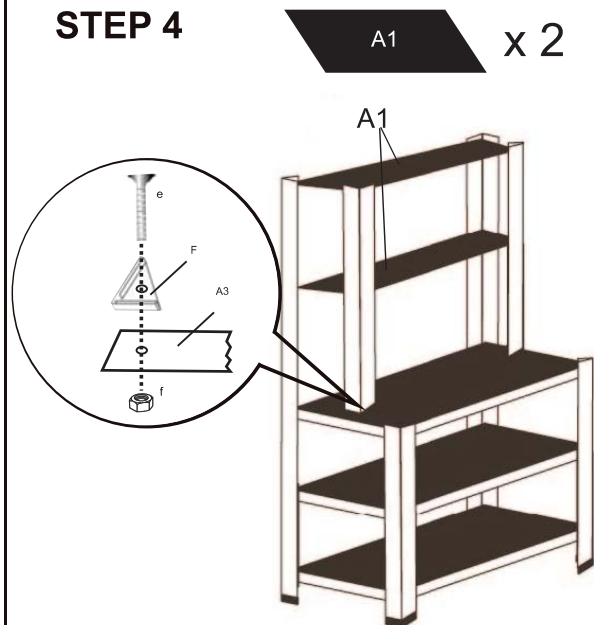
STEP 2



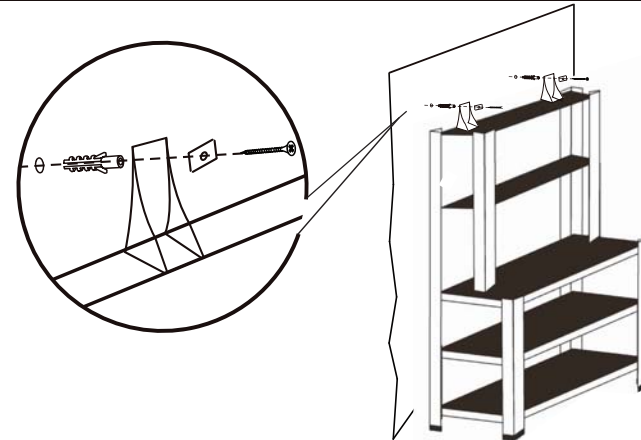
STEP 3



STEP 4



STEP 5







WARNING:
It is strongly recommended that this product is permanently fixed to the wall. Please seek professional advice if you are in doubt of what fixing device to use. Regularly check that anchors are securely maintained.

CAUTION: for your safety when attaching the anchor fixings, please note the following: Check any electrical wires or plumbing inside the wall before drilling any holes (if you are unsure please seek professional advice from a qualified tradesperson).



WARNING: PLEASE SECURE YOUR FURNITURE WITH THE SUPPLIED WALL FIXING. SCAN THE CODE FOR MORE INFORMATION.



 X 2
  X 2
  X 2
  X 2