

Assembly Instructions





43060535 5 TIER GARAGE STORAGE SHELF







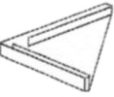

CARE INSTRUCTIONS: KEEP AWAY FROM WATER AND DIRECT SUNLIGHT. FOR INDOOR AND DOMESTIC USE. WIPE CLEAN WITH A SOFT DRY CLOTH. DO NOT PUT HOT ITEMS SUCH AS COFFEE CUPS DIRECTLY ON THE SURFACE OF THE SHELVES.

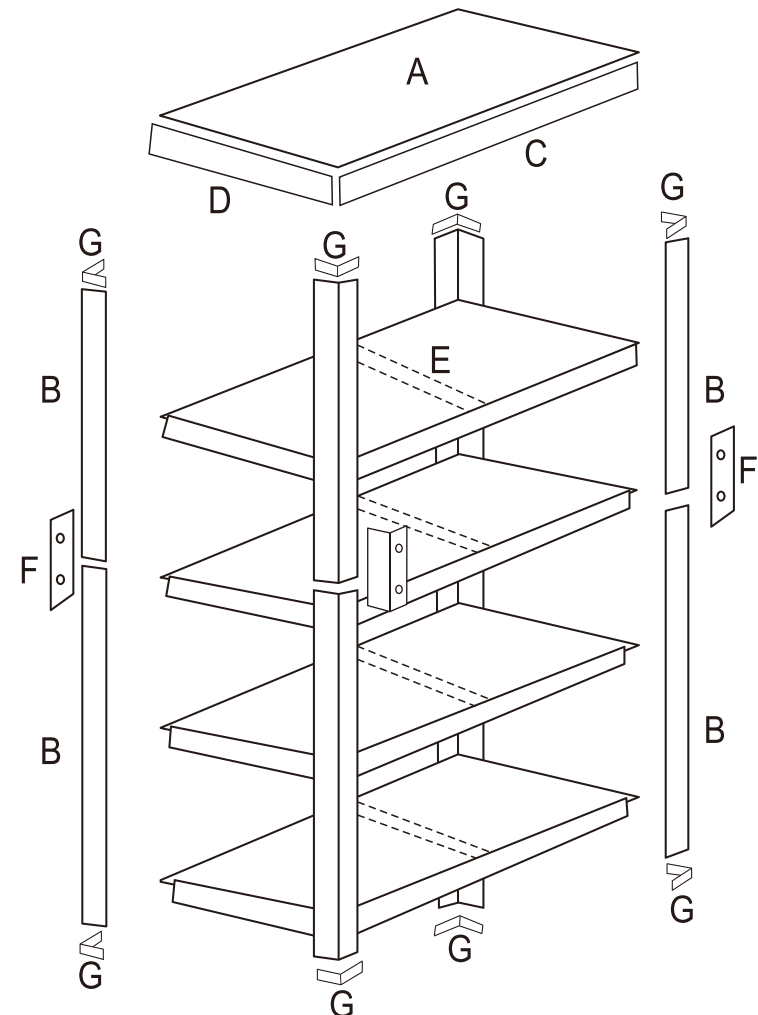
WARNING: DO NOT STAND OR SIT ON THE UNIT. DO NOT LEAN ON THE PRODUCT. DO NOT DRAG THE PRODUCT. USE ONLY ON A FLAT SURFACE. DO NOT USE UNTIL ALL PARTS ARE FIRMLY SECURED. THIS PRODUCT CONTAINS SMALL PARTS AND SHARP POINTS, KEEP AWAY FROM CHILDREN AND BABIES. ADULT ASSEMBLY REQUIRED. FAILURE TO FOLLOW THESE WARNINGS COULD RESULT IN SERIOUS INJURY.

MAX. LOADING WEIGHT - 120KG FOR EACH SHELF

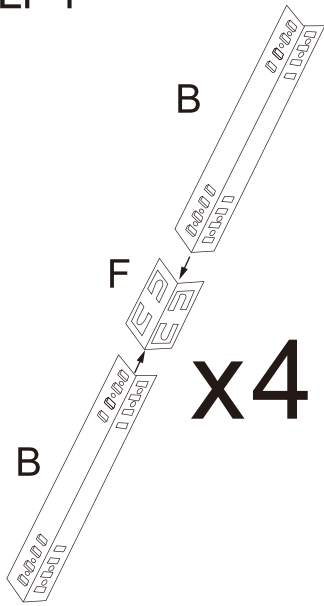
MAX. LOADING WEIGHT - TOTAL UNIT, EVENLY DISTRIBUTED: 600KG

	a	4x35mm	2PCS
	b	6x30mm	2PCS
	c	270x20mm	2PCS
	d		2PCS

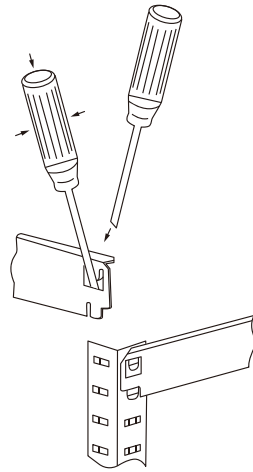
		
A 5PCS	B 8PCS	C 10PCS
		
D 10PCS	E 5PCS	F 4PCS
		
G 8PCS	Mallet Required (Not Provided)	



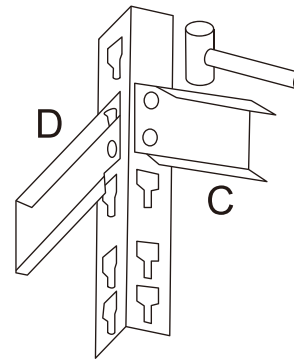
STEP 1



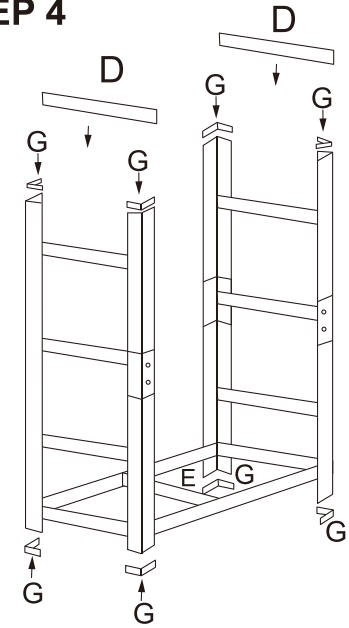
STEP 2



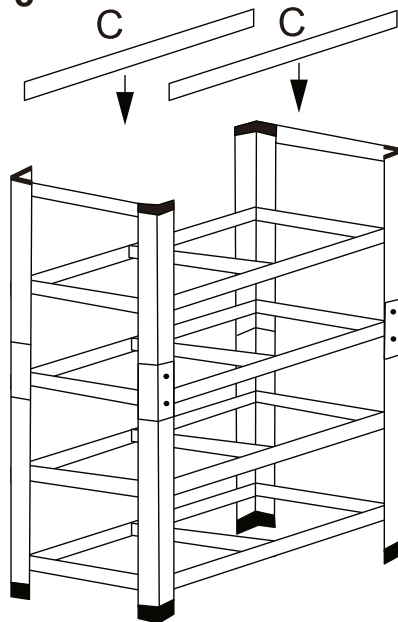
STEP 3



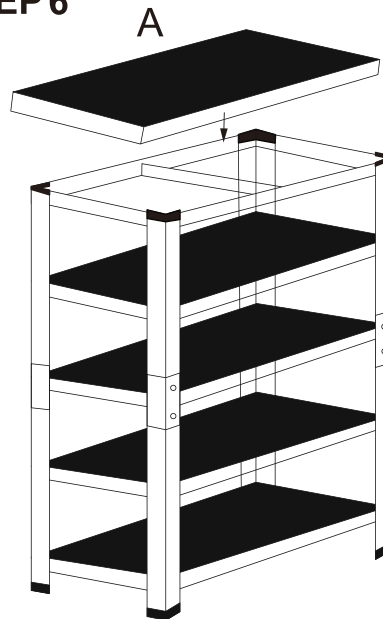
STEP 4



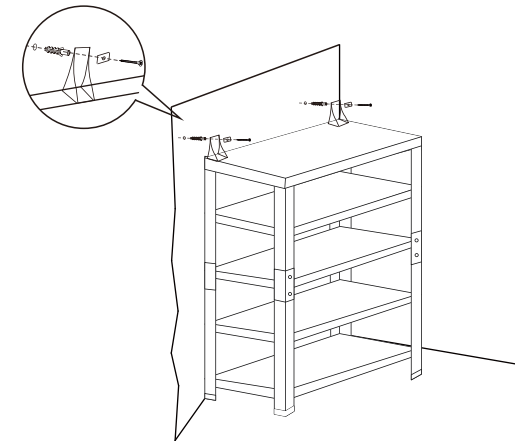
STEP 5



STEP 6



STEP 7



WARNING:
It is strongly recommended that this product is permanently fixed to the wall. Please seek professional advice if you are in doubt of what fixing device to use. Regularly check that anchors are securely maintained.





CAUTION: for your safety when attaching the anchor fixings, please note the following: Check any electrical wires or plumbing inside the wall before drilling any holes (if you are unsure please seek professional advice from a qualified tradesperson).



TOPPLING HAZARD

WARNING: PLEASE SECURE YOUR FURNITURE WITH THE SUPPLIED WALL FIXING. SCAN THE CODE FOR MORE INFORMATION.



 X2
  X2
  X2
  X2