
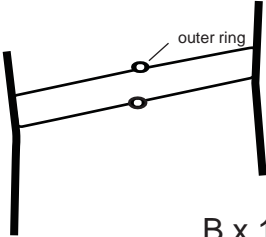

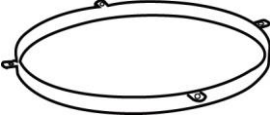





43061082
Gold Look Drinks Tub on Stand

ASSEMBLY INSTRUCTIONS

1. Ensure you have all parts listed before commencing assembly.
2. Hand wash only before use.
3. Keep this leaflet for future reference.

PART LIST

 A x 4	 B x 1	 C x 1	 D x 1
 E x 6 (with 4 screws on A)	 F x 2	 G x 1	

ASSEMBLY INSTRUCTIONS

Step 1: Insert C into B and rotate C to ensure the rings overlap.

Step 2: Connect poles A with the poles from B and C, ensuring the connectors on the end of A inserts into the holes on B and C ends.

Step 3: Use 2 x E screws and 2 x F nuts to lock the rings of B and C. Put D onto the top of the connected legs, fix it by using 4 x E screws.

Step 4: Place tub on the stand.

