

Assembly Instructions

43061549 RATTAN DAY BED

CARE INSTRUCTIONS:

WIPE CLEAN WITH CLOTH. DO NOT USE ABRASIVE MATERIALS AND SOLVENTS. CHECK AND TIGHTEN ALL PARTS REGULARLY. STORE IN A DRY PLACE. FOR INDOOR AND DOMESTIC USE. KEEP AWAY FROM WATER AND DIRECT SUNLIGHT.







WARNING!

DO NOT USE THE BED AS A STEP LADDER. DO NOT DRAG WHEN MOVING THE BED TO AVOID DAMAGING THE JOINTS. DO NOT SWING, CLIMB OR HANG FROM THE SIDE FRAME. DO NOT SIT ON THE RATTAN FRAME. THIS PRODUCT CONTAINS SMALL PARTS AND SHARP POINTS, KEEP AWAY FROM CHILDREN AND BABIES. ADULT ASSEMBLY REQUIRED. FAILURE TO FOLLOW THESE WARNINGS COULD RESULT IN SERIOUS INJURY.

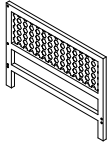
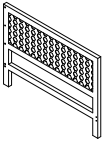
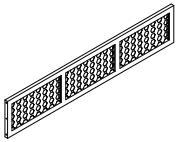
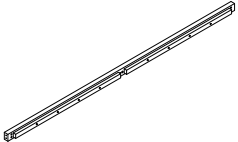
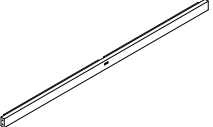
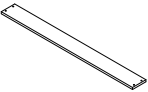
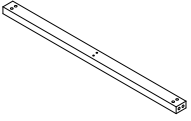
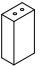
MAXIMUM SAFE LOAD: 100KGS.

SUITABLE FOR MATTRESS SIZE: 15cm(H) x 1.9m(W) x 91cm(D)

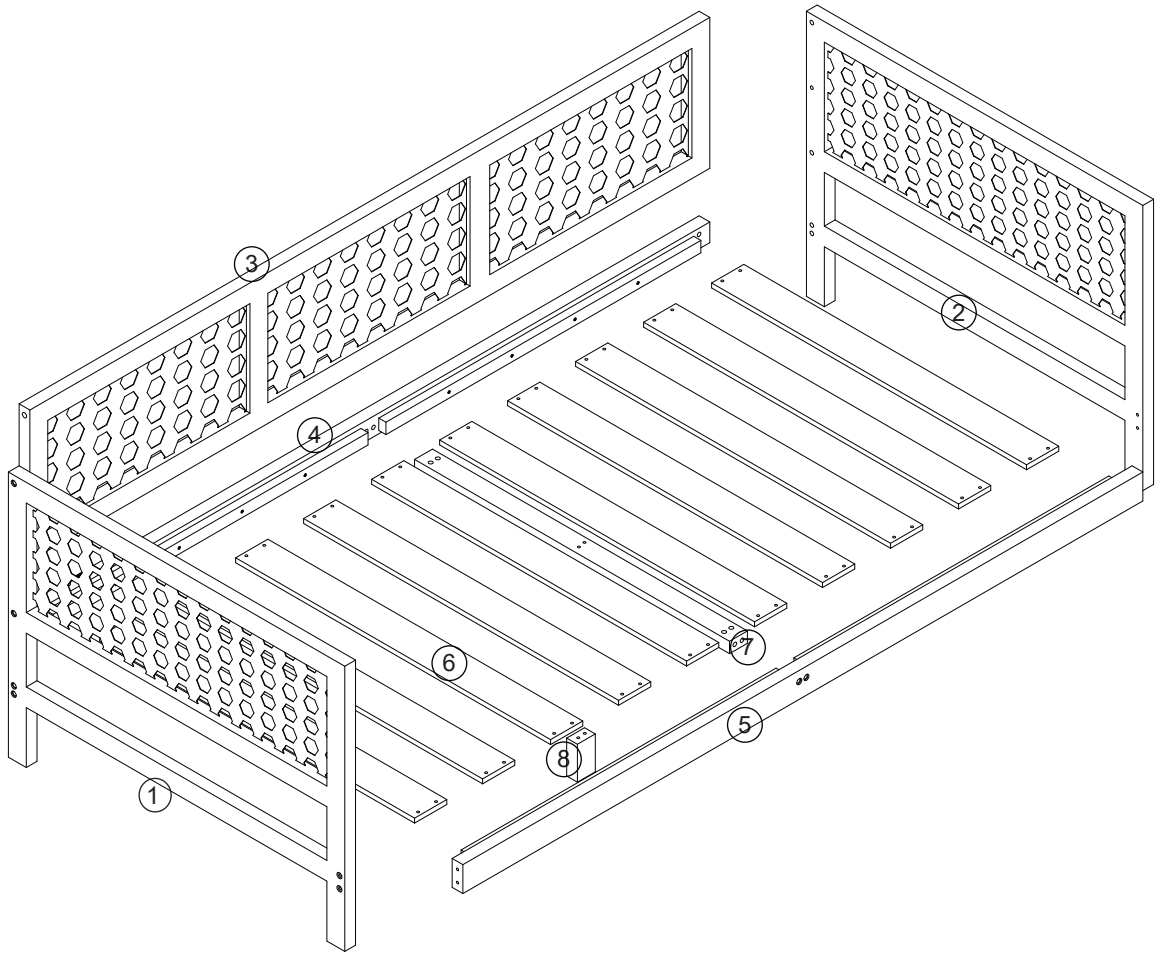
1 Hardware List

| | | | | | | | | | | | |
|---|---|---------|------|---|---|--------|-------|---|---|---------|-------|
|  | A | | 2pcs |  | B | 6x80mm | 16pcs |  | C | 10x15mm | 16pcs |
|  | D | M7x70mm | 2pcs |  | E | 4x30mm | 40pcs |  | F | | 1pc |

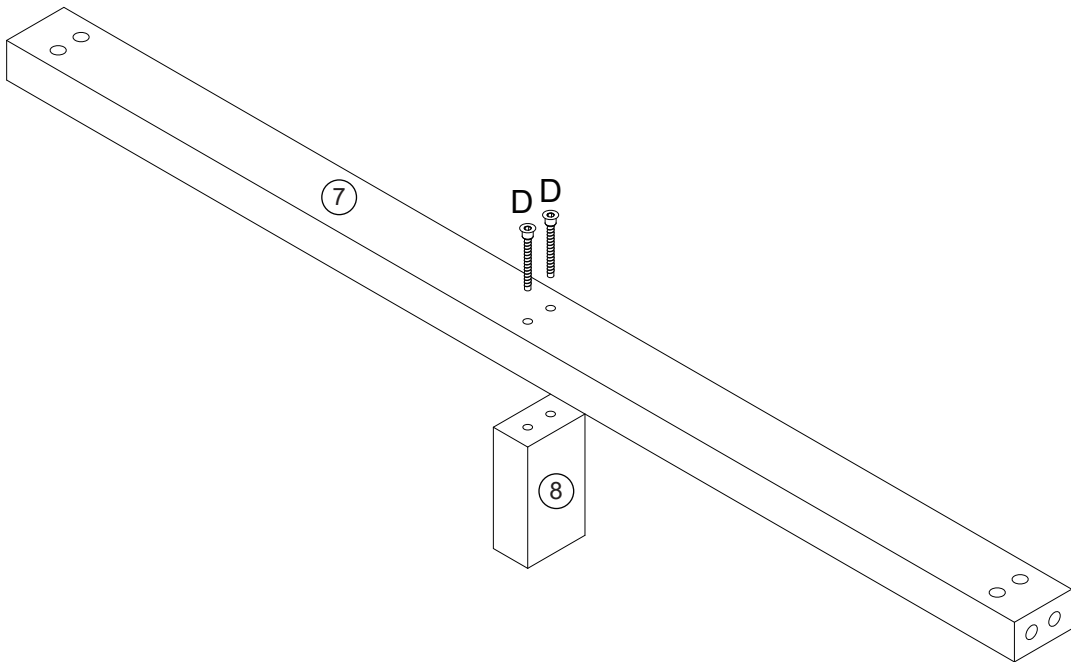
2 Parts List

| | | | | | | | |
|---|-----|---|-------|--|-----|---|-----|
|  | |  | |  | |  | |
| ① | 1pc | ② | 1pc | ③ | 1pc | ④ | 1pc |
|  | |  | |  | |  | |
| ⑤ | 1pc | ⑥ | 10pcs | ⑦ | 1pc | ⑧ | 1pc |

3




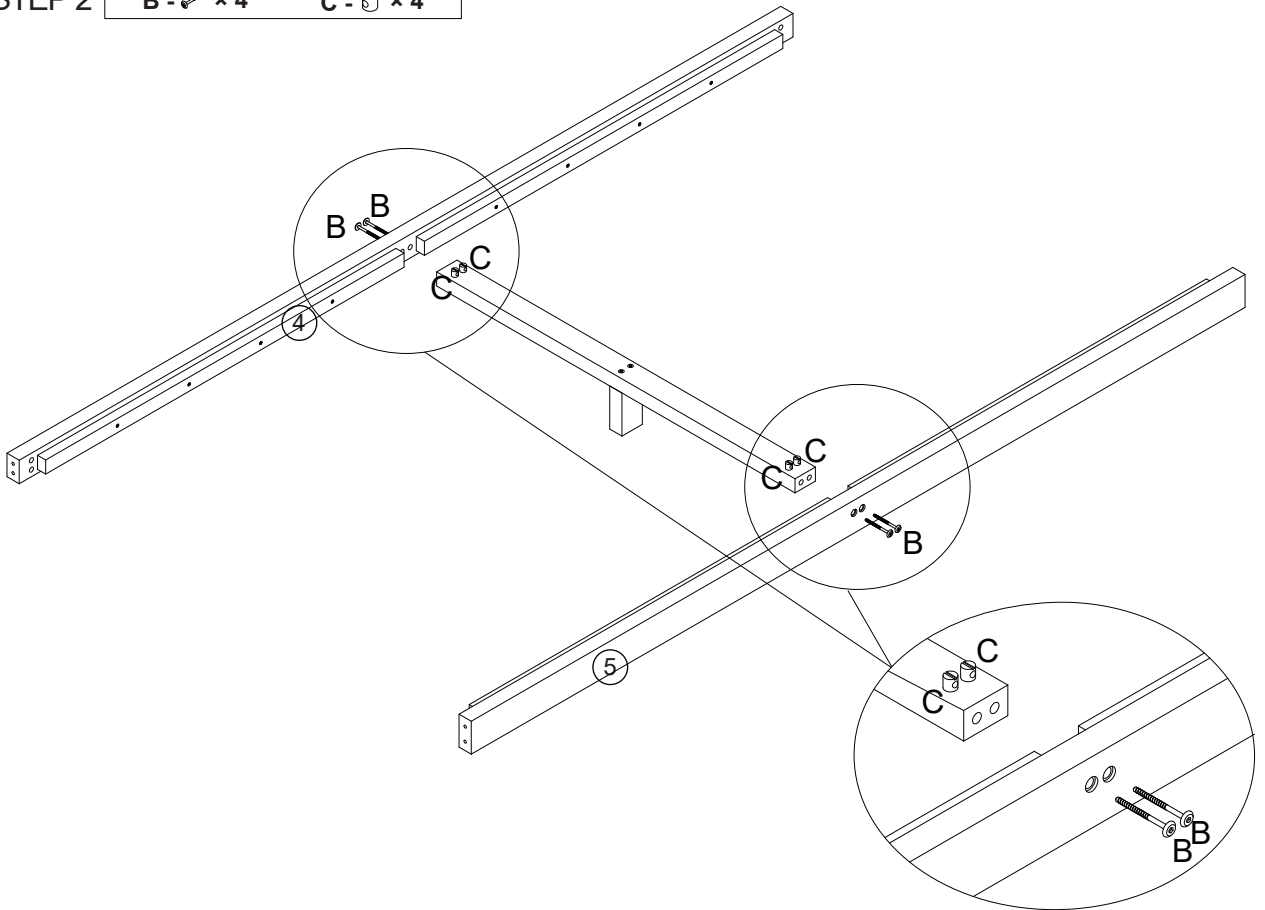
STEP 1 **D - 1x2**



STEP 2

B -  x 4


C -  x 4

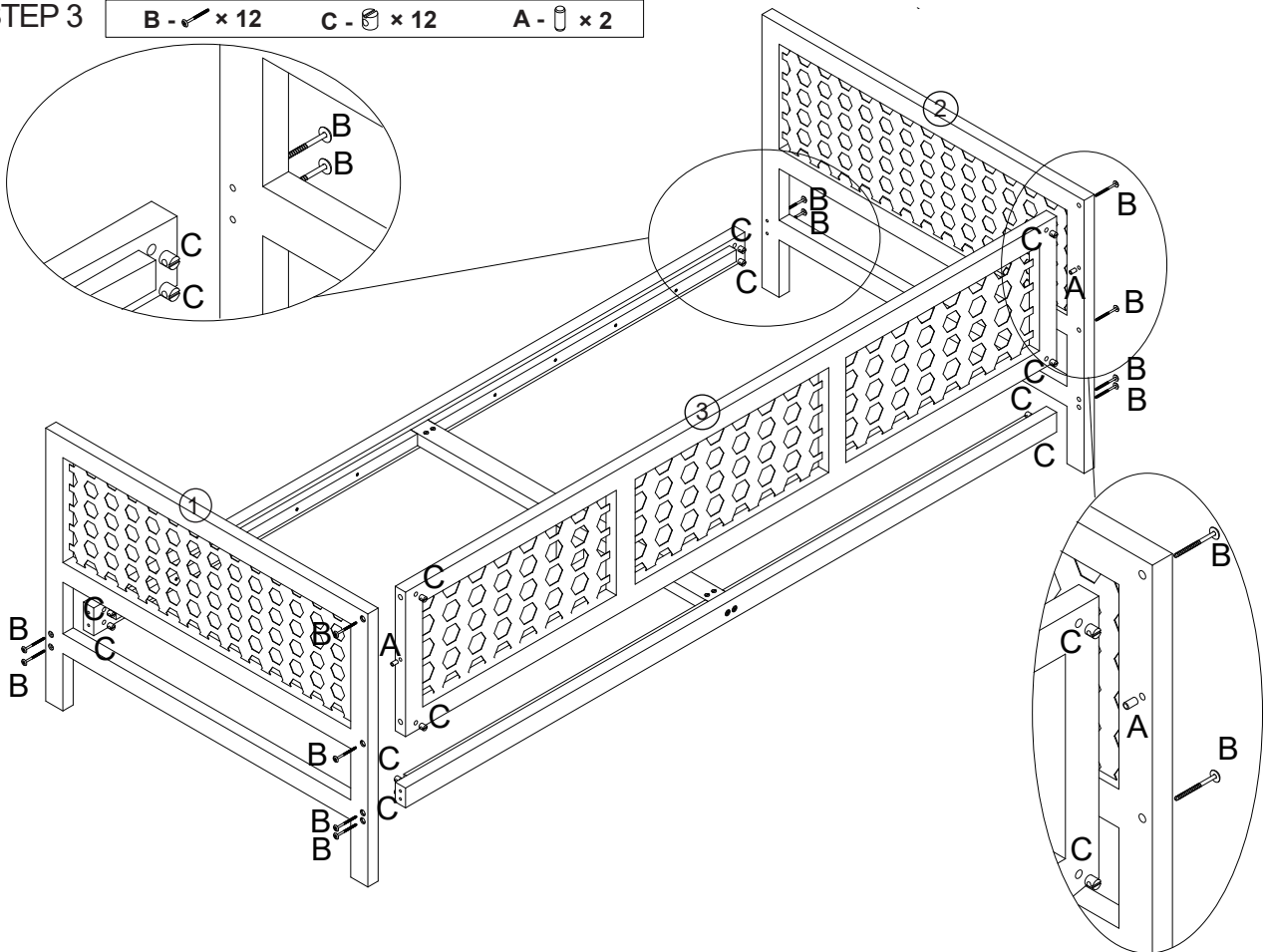


STEP 3

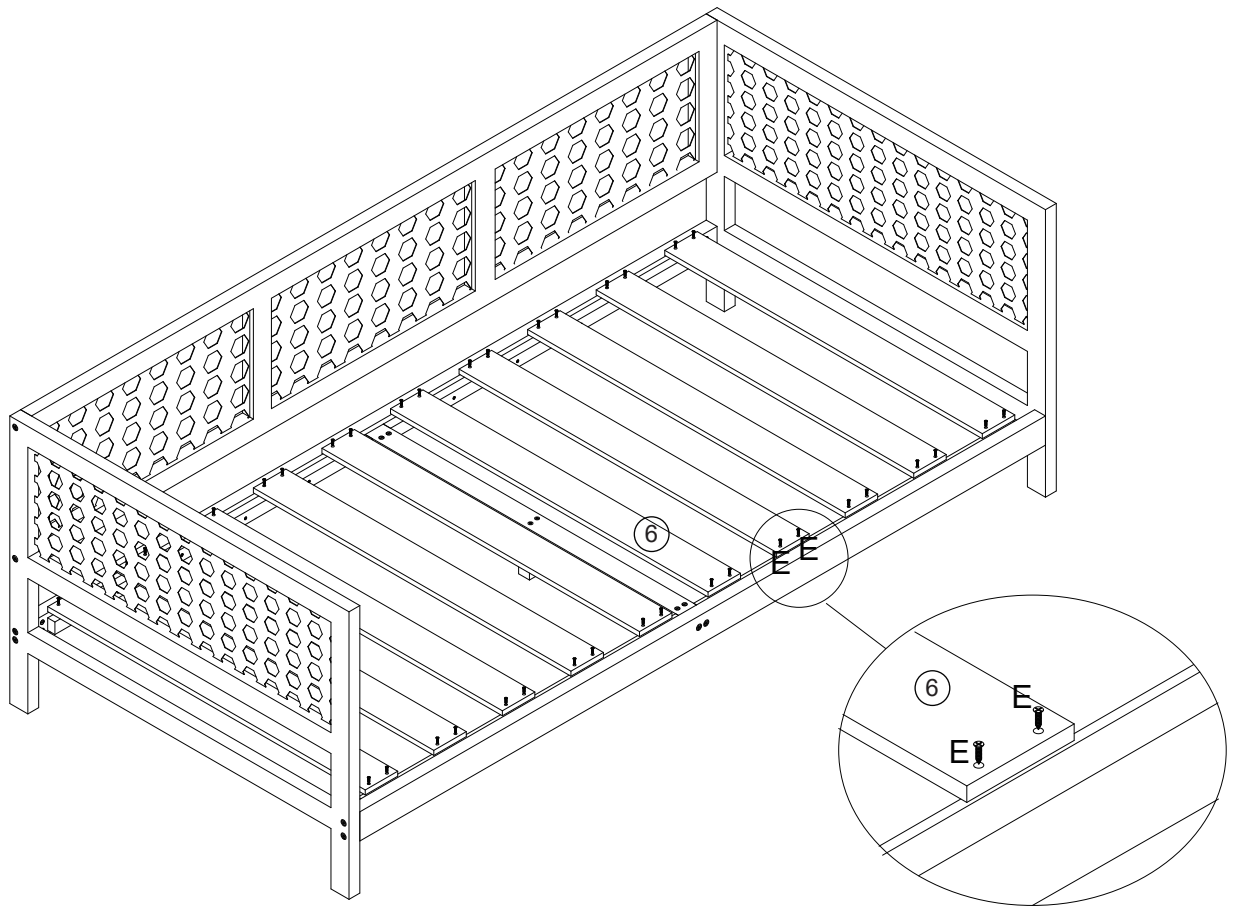
B -  x 12

C -  x 12

A -  x 2



STEP 4 E -  x 40



STEP 5

