

2-4 | 6+  
Years

43273399 / M28150\_H

# ELECTRONIC ARCADE GAMES TABLE



ADULT ASSEMBLY IS REQUIRED.



## WARNING:

**CHOKING HAZARD** - Toy contains small parts and small balls. Not for children under 3 years.

**WARNING:** FOR SAFETY REASONS, REMOVE ALL TAGS, LABELS AND PLASTIC FASTENERS BEFORE GIVING THIS TOY TO YOUR CHILD.


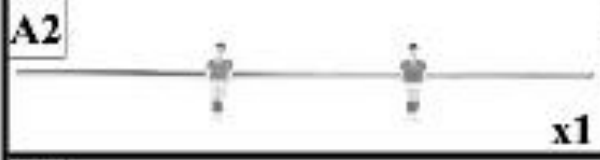
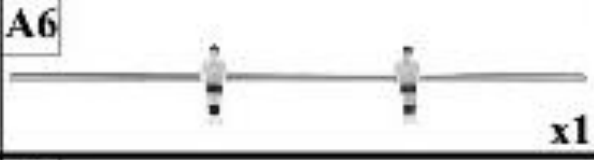
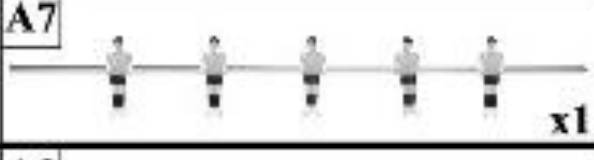













PRODUCT MAY VARY FROM IMAGE SHOWN.  
PLEASE KEEP THE PACKAGING FOR FUTURE REFERENCE.

MADE IN CHINA

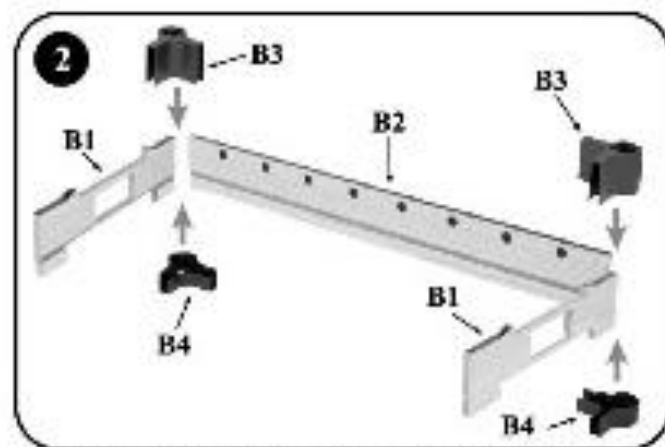
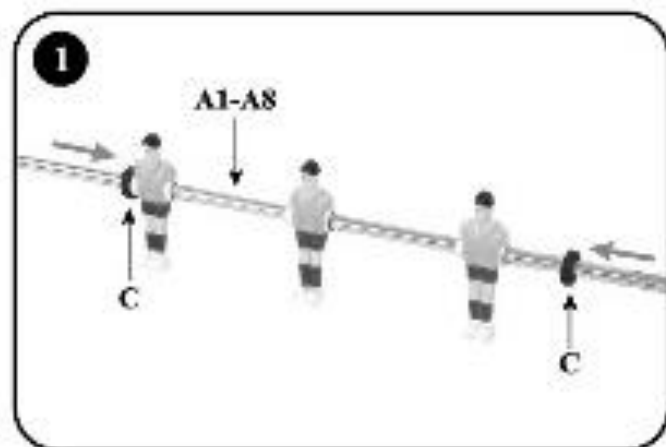
FOR AU / NZ: IMPORTED FOR KIMART  
STORES IN AUSTRALIA AND NEW ZEALAND.

211096

# PARTS LIST

<b>A1</b>  <b>x1</b>	<b>A5</b>  <b>x1</b>		
<b>A2</b>  <b>x1</b>	<b>A6</b>  <b>x1</b>		
<b>A3</b>  <b>x1</b>	<b>A7</b>  <b>x1</b>		
<b>A4</b>  <b>x1</b>	<b>A8</b>  <b>x1</b>		
<b>B1</b>  <b>x2</b>	<b>B2</b>  <b>x2</b>	<b>B3</b>  <b>x4</b>	<b>B4</b>  <b>x4</b>
<b>B5</b>  <b>x1</b>	<b>C</b>  <b>x16</b>	<b>E</b>  <b>x2</b>	
<b>F</b>  <b>x2</b>	<b>G</b>  <b>x8</b>	<b>H</b>  <b>x4</b>	
<b>I</b>  <b>x4</b>	<b>J</b>  <b>x4</b>		
<b>K</b>  <b>x2</b>	<b>L</b>  <b>x1</b>		

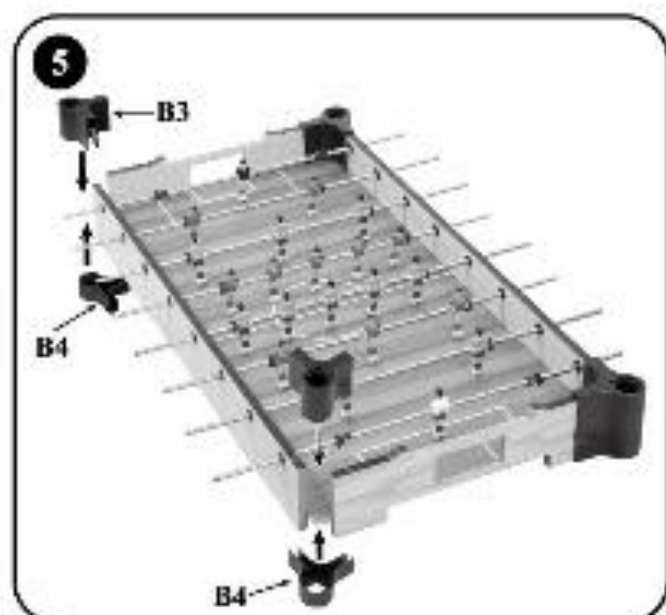
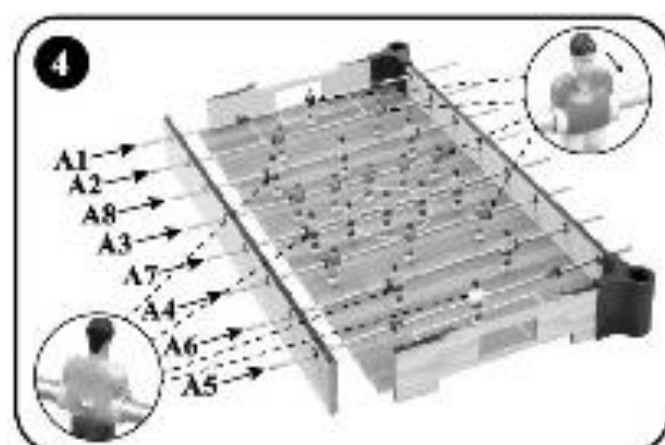
# FOOTBALL TABLE ASSEMBLY INSTRUCTIONS



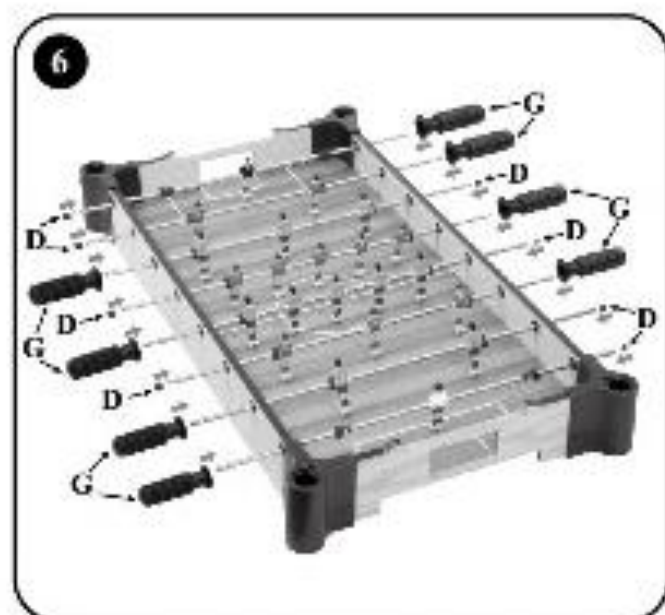
Attach long wood panel (B2) and 2 short side wood panels (B1) in a horizontal position with (B3) and (B4) corner pieces, making sure the grooves in the wood panels align together as shown in diagram 2.



After attaching the three sides, flip vertical, resting the three sections on long wood panel (B2). Side center playing board (B5) into grooves as shown in diagram 3.

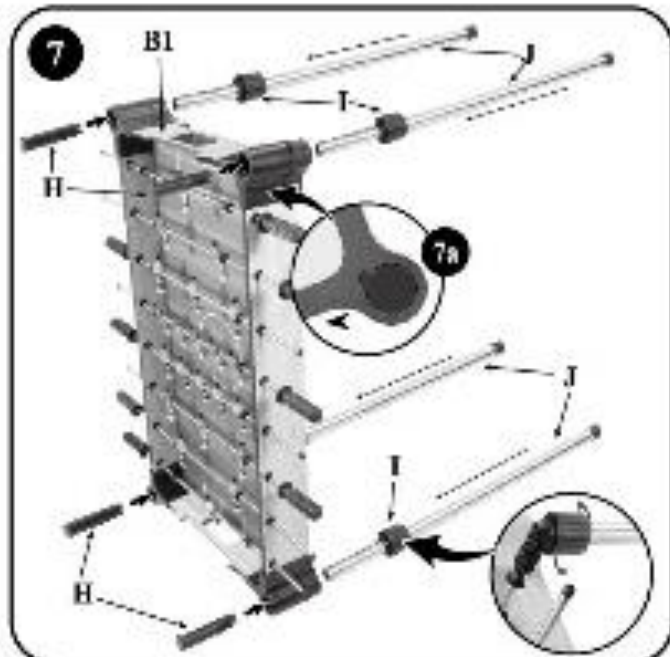


\*NOTE - For step 5, we recommend using 2 people to help hold the center playing board and wood panel in place while corner pieces are being attached. Attach bottom corner pieces (B3) & (B4) as shown in diagram 5.

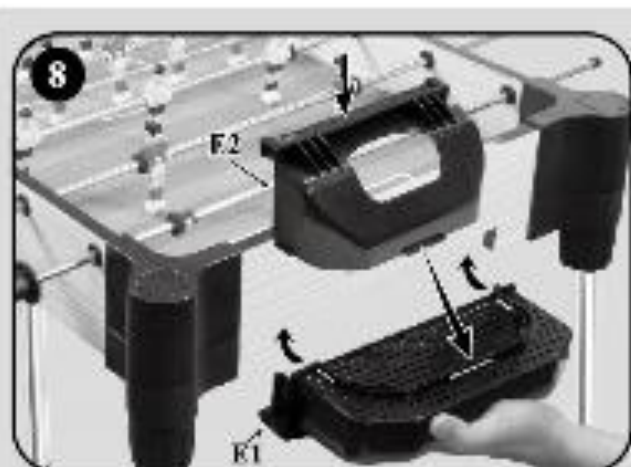
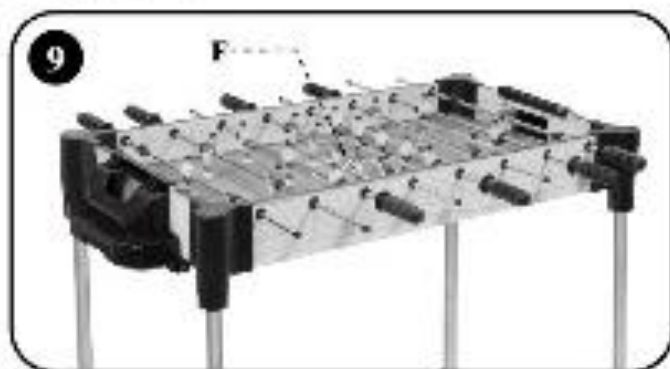


Push the handles (G) in firmly. Make sure this is done by an adult.





For this step the table should be resting on its short side wood panel (B1) for easier assembly, as shown in diagram 7. Slide a nut (I) over each steel leg (J). Insert column (H) into the opening in each corner. Press down on column (H) so it does not lift out of position while screwing in nut (I). Fully insert all 4 legs (J) until they are touching the ceiling of the cavity of the columns (H). While tightening the nut also intermittently push the steel leg upwards to ensure it has reached full depth of the column cavity, before completing tightening.

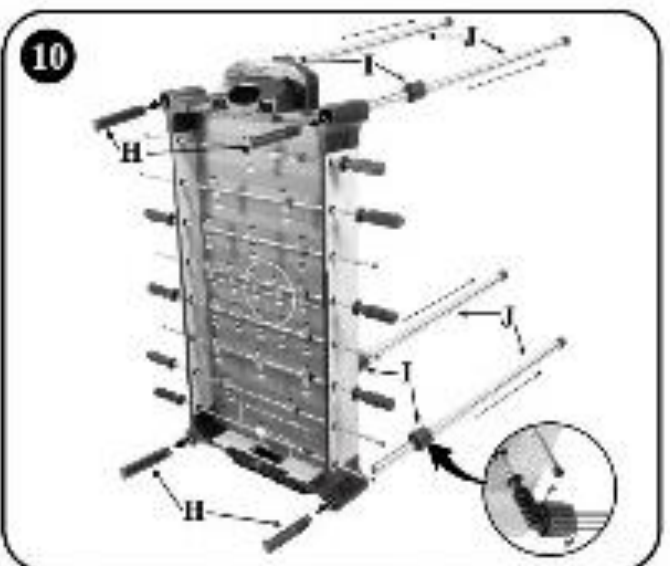


\*NOTE - For step 8, we recommend using 2 people. One person should slide the air hockey goal (E1) into position from the underside of the table and hold it in place. The second person should slide the football goal (E2) into position from the top.



Simultaneously press the back tab (see diagram 8a) and one of the side tabs (8b) at the base of the football table inwards so they can be inserted into the groove at the base of the air hockey goal. Once they are in place, press the other side tab into place as shown in diagram 8c.

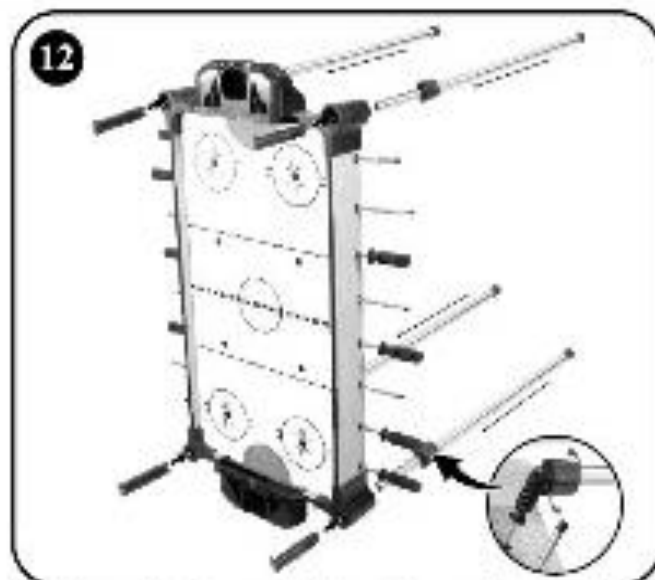
## AIR HOCKEY TABLE ASSEMBLY INSTRUCTIONS



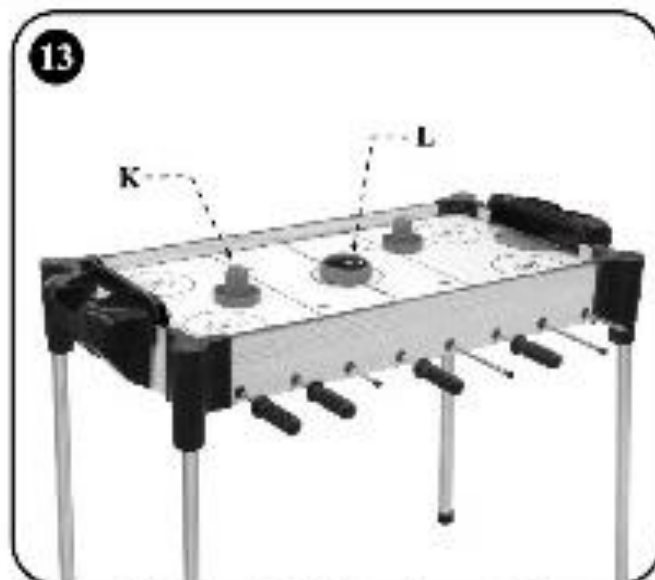
To switch the table from Football to Air Hockey, first, loosen & remove the nuts (I), then remove the 4 steel legs (J), and finally pull out the columns (H).



Spin the table around 180 degrees.



Follow the same instructions as listed in step 7, however with the legs inserted from the opposite side of the table.



Once done, add the pushers (K) and air hockey hover puck (L) on the playing surface.



2-In-1! Play as a stand-alone table game or remove the legs and play as a table-top game!

Convert to tabletop mode / compact storage mode:

1. Rest table on short side wood panel (B1) so the legs are accessible.
2. Loosen the 4 nuts (I) enough so the 4 steel legs (J) can be removed.
3. Once removed, tighten the nuts (I) again.
4. Place table on a smooth, level surface.
5. To return to table mode repeat steps 1-2-3, however in step 2 the legs are slid back into the corners before tightening.

## TABLE FOOTBALL / GAME RULES

**Number of Players:** 2-4

**Setup:** Follow diagrams #1 - #6.

**Important note:** Step (8) - Push the handles (G) in firmly. Make sure this is done by an adult.

**Required:** 1 Football (F)

**Object of the Game:**

Score the most goals!

**Game Play:**

1. To begin the game, the ball is pushed through either hole on the sides of the table, as shown in diagram 9, or simply placed by hand at the feet of a figure in the centre of the table.
2. The initial serving side is decided by coin toss.
3. Players should use the figures, mounted on the rotating bars, to kick the ball into the opposing goal.

**To Win:**

The winner is determined when one team scores 5 goals.



# AIR HOCKEY / GAME RULES

## Number of Players: 2

**Setup:** Follow diagrams #10 - #13.

**Required:** 2 Pushers (K), 1 Air hockey hover puck (L)

**Object of the Game:** Score the most goals!

## Game Play:

1. Activate the hovering puck by turning the switch on the underside of the puck to the On position. This must be done by an adult.
2. The youngest player gets the first possession of the puck, and proceeds to place the red puck in their zone and tries to score on their opponent.
3. Scoring is achieved by knocking the puck with your red pusher into your opponent's goal.
4. A player cannot touch or strike the puck with any part of their body or with any object other than the pusher. Doing so causes a foul and the other player is given possession of the puck in their zone.
5. When the puck breaks the horizontal plane inside the goal, a point is counted.
6. The first player to score 8 points by shooting the puck into their opponent's goal, wins the game.
7. After each game, players change sides of the hockey table before beginning the next game.

## To Win:

The first player to score 8 points by shooting the puck into their opponent's goal, wins the game.

## BATTERY INFORMATION AND BATTERY REPLACEMENT

Use 2 x LR03 (EJ) / "AAA" (1.5V) batteries. Not Included.

### Battery Installation & Replacement:

1. Installation by an adult required.
2. Switch toy off before inserting batteries.
3. Loosen the screw with a crosshead screwdriver (not included) to open the battery compartment door on the backside of the product.
4. Insert / replace the new batteries in the proper direction indicated inside the battery compartment.
5. Close the compartment and screw shut securely.

### Battery Instructions & Replacement:

1. Non-rechargeable batteries are not to be recharged.
2. Rechargeable batteries are only to be charged under adult supervision.
3. Rechargeable batteries are to be removed from the toy before being charged.
4. Batteries are to be inserted with the correct polarity.
5. Exhausted batteries are to be removed from the toy.
6. The supply terminals are not to be short-circuited.
7. Only batteries of the same or equivalent type as recommended are to be used.
8. Do not mix old and new batteries.
9. Do not mix alkaline, standard (carbon-zinc), or rechargeable batteries.
10. Dispose of batteries responsibly.
11. Do not dispose of in fire.

